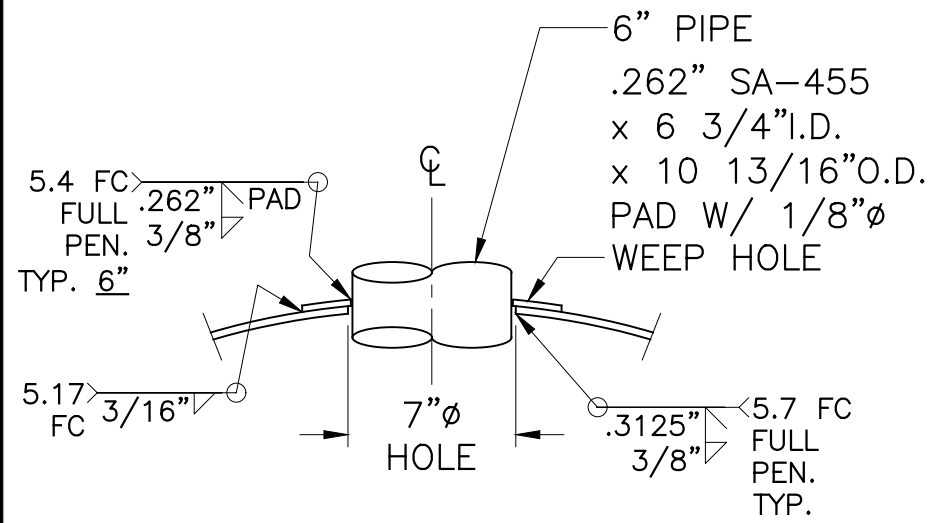
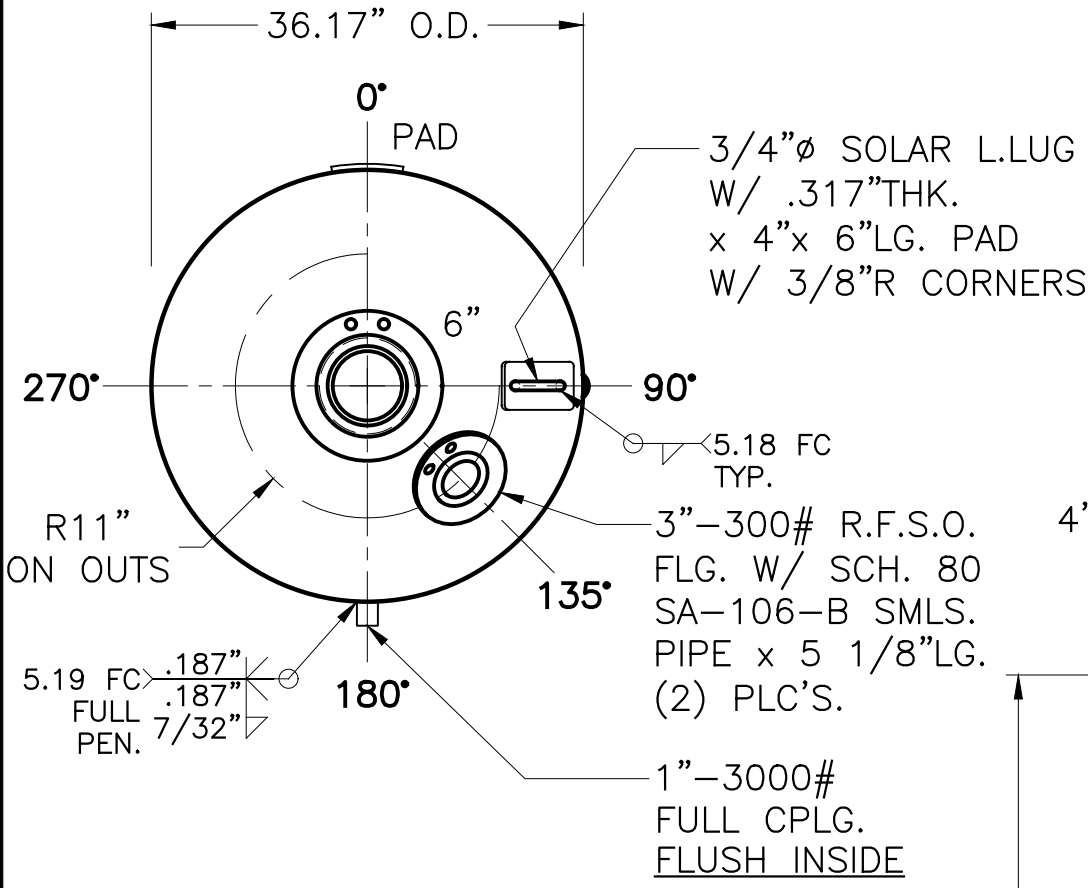
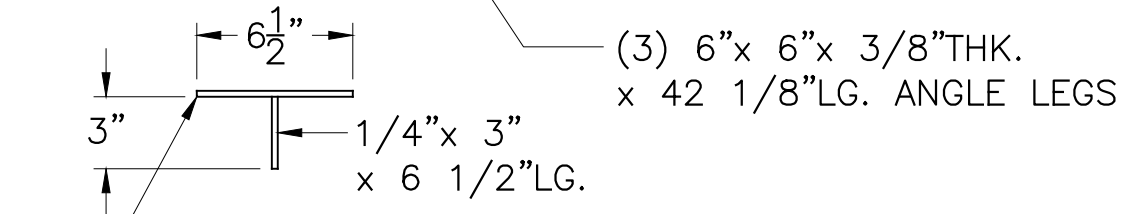
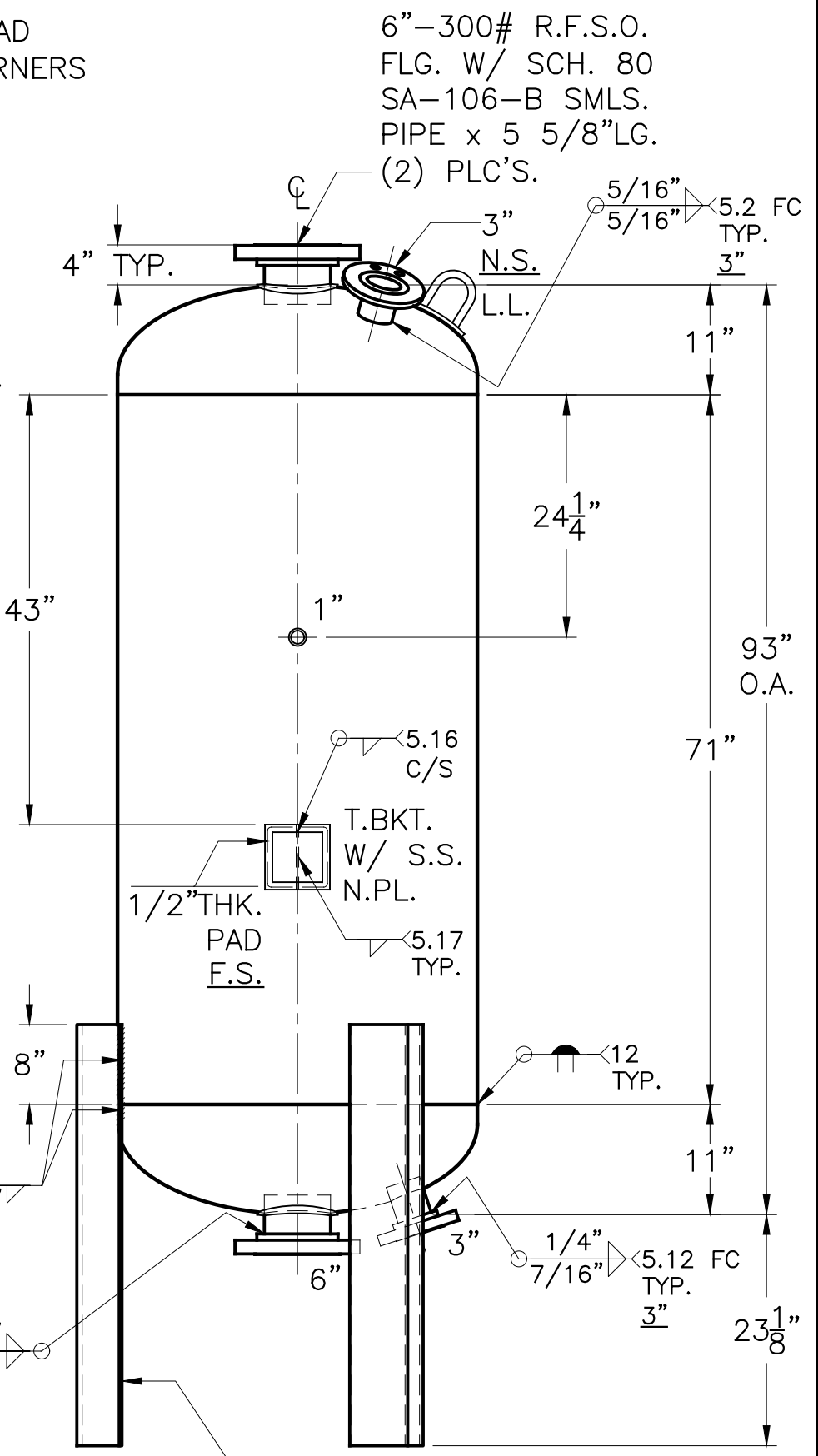


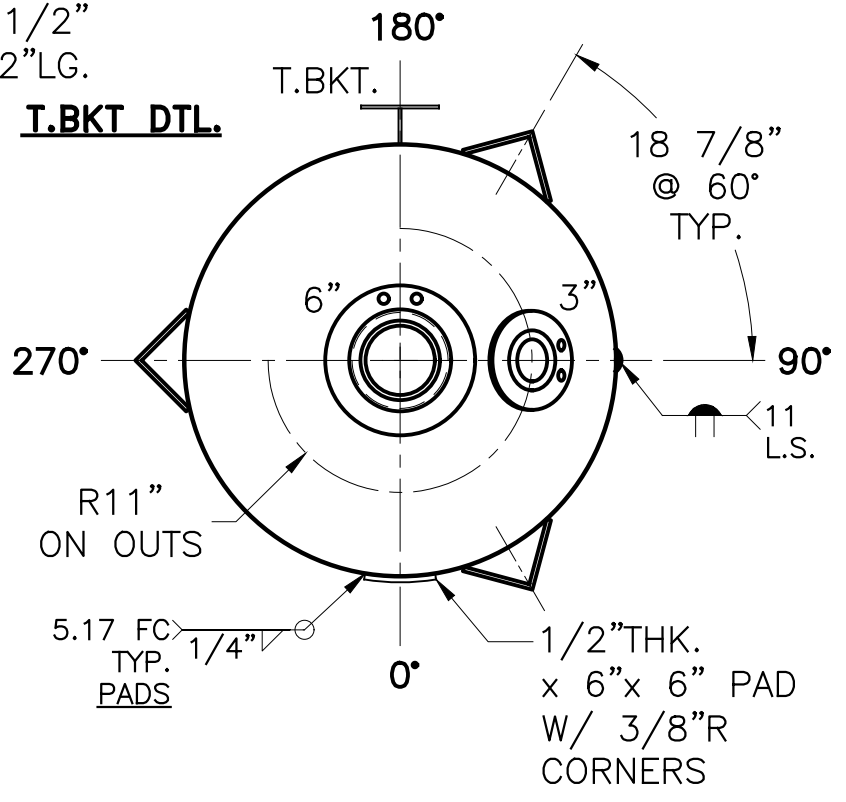
DATE	BY
12-10-13	RH
12-31-14	JG
2-6-15	JG



**TYP. HEAD DETAIL**



**T.BKT DTL.**



SHELL / HEADS	.3125" SA-455	2:1 S.E.
	(.320" MIN.) JOGGLE	
M.A.W.P.	350 PSIG.	@ 200 °F
M.D.M.T.	-20 °F @	350 PSIG
ASME SECTION VIII	DIV. 1, 2013	
X-RAY:	RT-4 SPOT L.S. & G.S.	
GALLONS:	366	WT. 1598 LBS.
SERIAL NO.		
N.B.		

NOTE: 1) HYDRO @ 455 PSIG. MIN.  
2) TANK WELDED TO SKID BY CUSTOMER.

<b>MB-705-B</b>	REV. 2-6-15
DATE: 12-9-13	
FOR:	VERT. CO2 VAPOR TANK
	NON-CORROSIVE
	SURFACE AREA = 78.4 SQ. FT.
	UW-21(b)
INSIDE:	UNPAINTED & DEHYDRATE
OUTSIDE:	PRIME
BY: E.S. / B.C.	SCALE: 3/4"=12"
<b>ROY E. HANSON JR. MFG.</b>	
1600 E. WASHINGTON BLVD.	
LOS ANGELES, CA 90021	