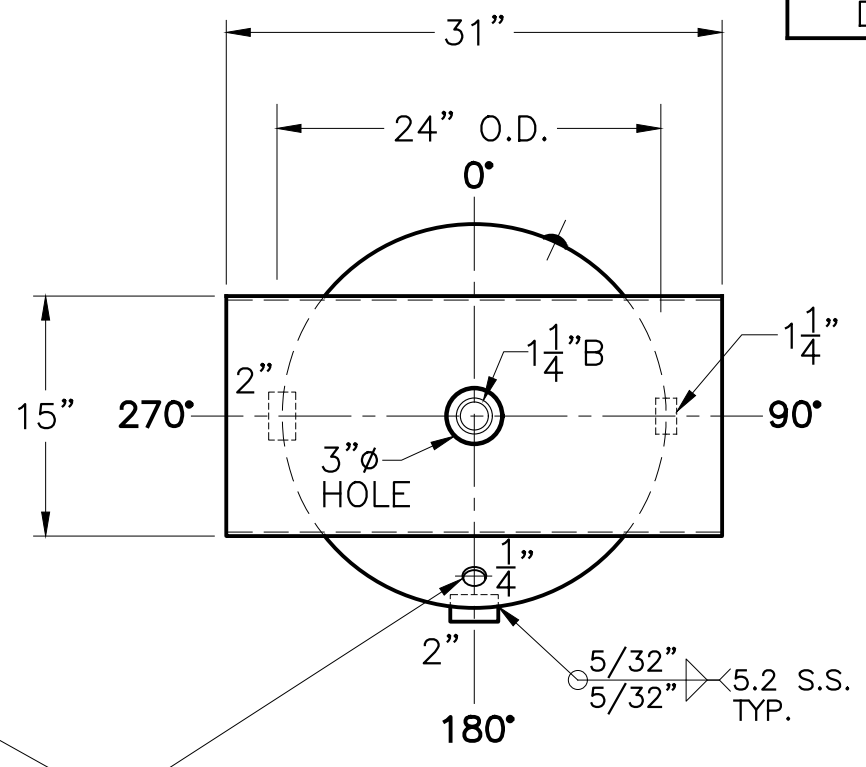
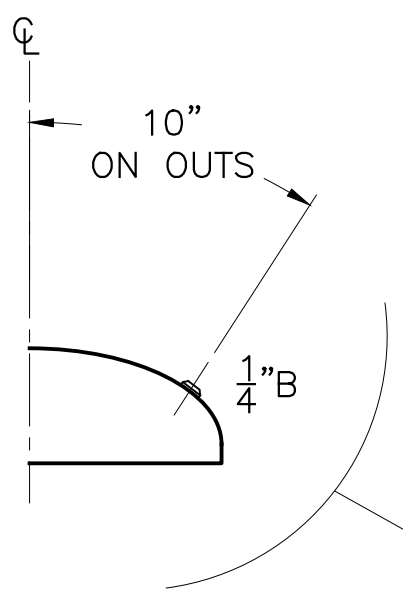


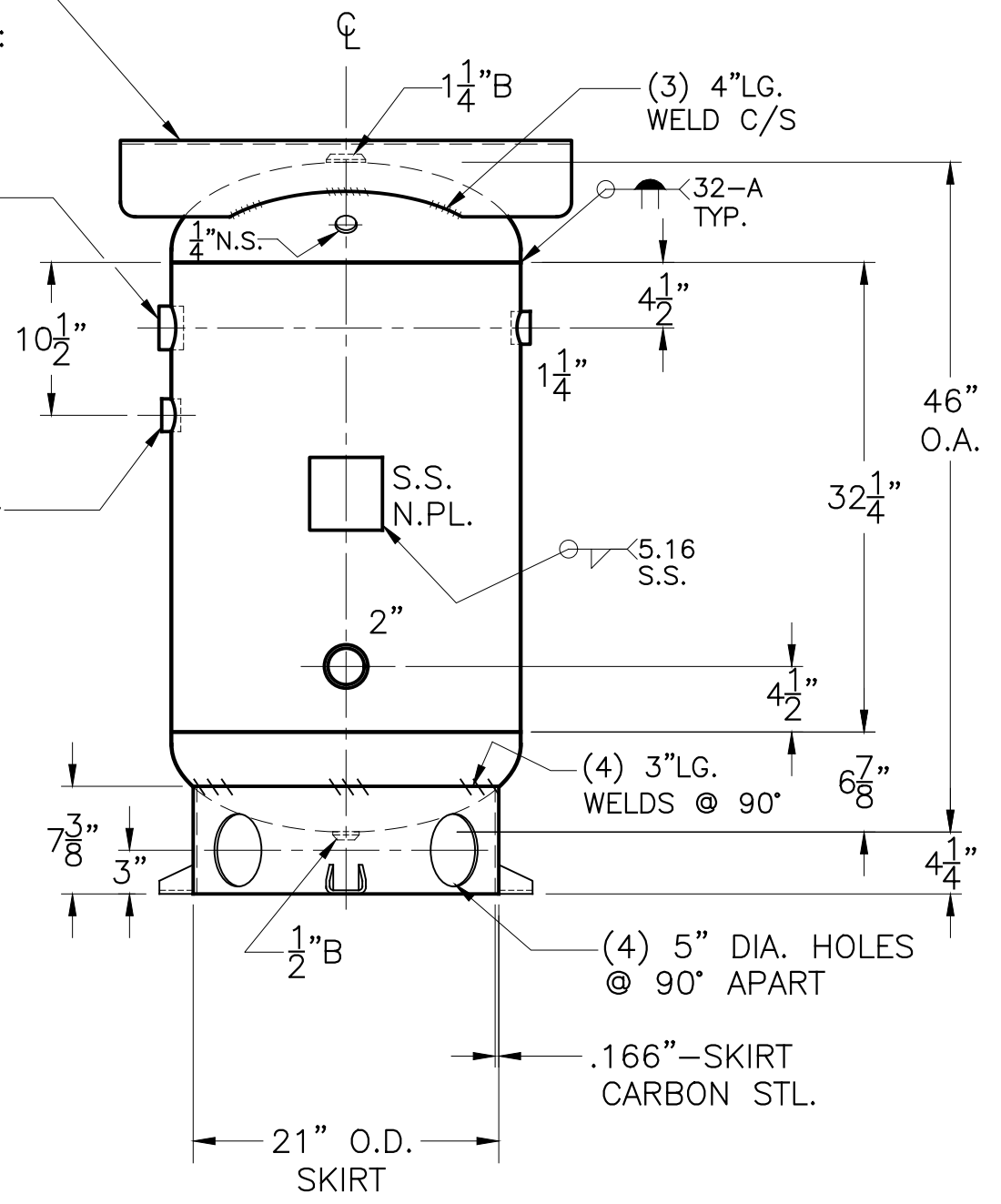
JOB No. _____
 DATE: _____



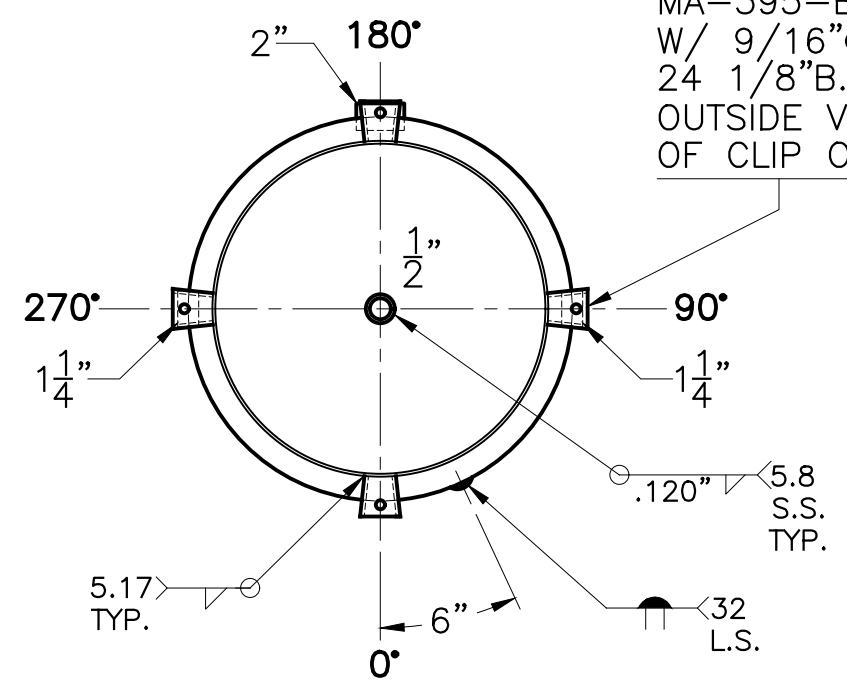
CARBON STL.
 PLATFORM PER:
 AA-550-D &
 V-80-FP-1A

2"-3000#
 HALF CPLG.
 (2) PLC'S

1 1/4"-3000#
 HALF CPLG.
 (2) PLC'S



CARBON STEEL-
 1/4" THK. CLIPS PER
 MA-395-B (4) PLC'S
 W/ 9/16" Ø HOLE ON
 24 1/8" B.C.; WELD
 OUTSIDE VERT. EDGE
 OF CLIP ONLY



NOTE: 1) SKIRT & PLATFORM ARE CARBON STL.
 2) ALL CPLG'S AND BONYS ARE SA-182-304 S.S.
 3) HYDRO @ 262 PSIG. MIN.

SHELL / HEADS		.1875" SA-240-316 S.S. 2:1 S.E.	
TRIM			
M.A.W.P.	200 PSIG. @ 200 °F		
M.D.M.T.	-20 °F @ 200 PSIG.		
ASME SECTION VIII	DIV. 1, 2017		
X-RAY:	RT-NO		
GALLONS:	80	WT.	314 LBS.
SERIAL NO.			
N.B.			
FOR: VERT. OXYGEN TANK		MB-379-B	
SURFACE AREA = 26.5 SQ. FT.		REV. 8-29-19	
INSIDE: UNPAINTED		DATE: 11-30-05	
OUTSIDE: S.BLAST & PRIME			
BY: J.G./B.C.		SCALE: 1"=12"	
ROY E. HANSON JR. MFG.			
LOS ANGELES, CA 90011			