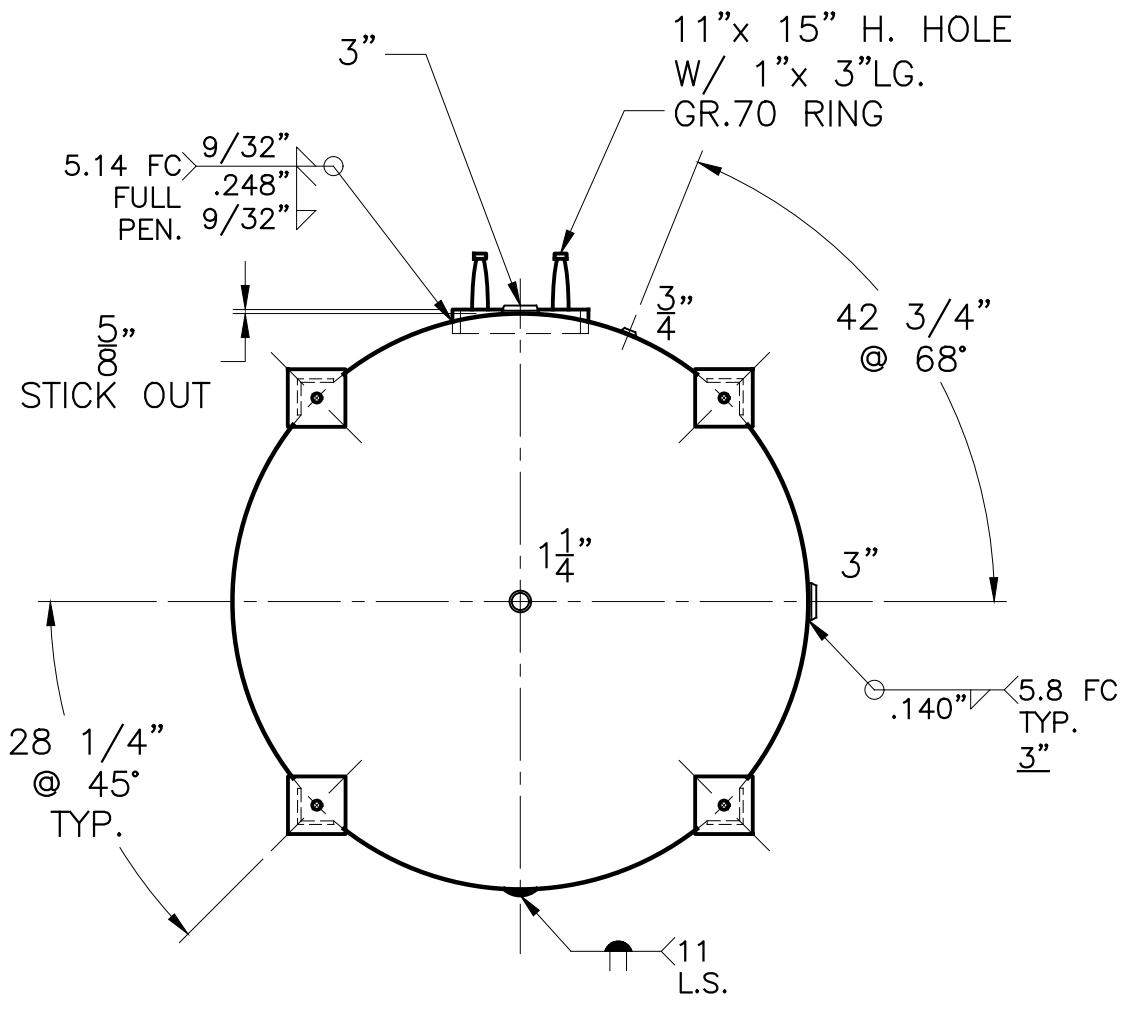


(4) 5" x 5" x 1/2" THK. x 31 1/8" LG. ANGLE LEG

(4) 8" x 8" x 5/8" THK. PAD W/ 1 1/8" Ø HOLE FOR 7/8" Ø x 6" LG. BOLTS GRADE 5 OR BETTER



SHELL / HEADS	
.289" SA-455	2:1 S.E.
(.210" MIN.)	
.248" SA-455	
M.A.W.P. 150	PSIG. @ 210 °F
ASME SECTION IV 2004 ADD 2006	
X-RAY: RT-NO / H.L.W.	
GALLONS: 1950	WT. 2659 LBS.
SERIAL NO.	
N.B.	

NOTE: 1) HYDRO @ 225 PSIG. MIN. TO 235 PSIG. MAX.
 2) SHIP LOOSE W/ (2) 1 5/16" x 96" LG. FLEX. MAG. ANODES.
 3) 8-26-04 PROOF TEST.

GS-72-1950-V	REV. 12-22-06
DATE: 6-14-90	
FOR: HANSON STANDARD	
VERT. WATER TANK	
SURFACE AREA = 213.3 SQ. FT.	
INSIDE: GLASS LINED	
OUTSIDE: PRIME	
LEG-ZONE 4-15 KM.	
CAD-"B" UNDER "STD"-SERIES	
BY: E.S.	SCALE: 1/2" = 12"
ROY E. HANSON JR. MFG.	
1600 E. WASHINGTON BLVD.	
LOS ANGELES, CA 90021	