

3/4"Ø SOLAR L.LUG
(2) PLC'S

5.8 FC TYP.
EX. 2 1/2"

1 1/4"-3000# FULL CPLG.
(2) PLC'S. FOR ANODES

2 1/2" B W/LONG PILOT
(3) PLC'S.

1 1/2"-3000# FULL CPLG.
304 S.S.

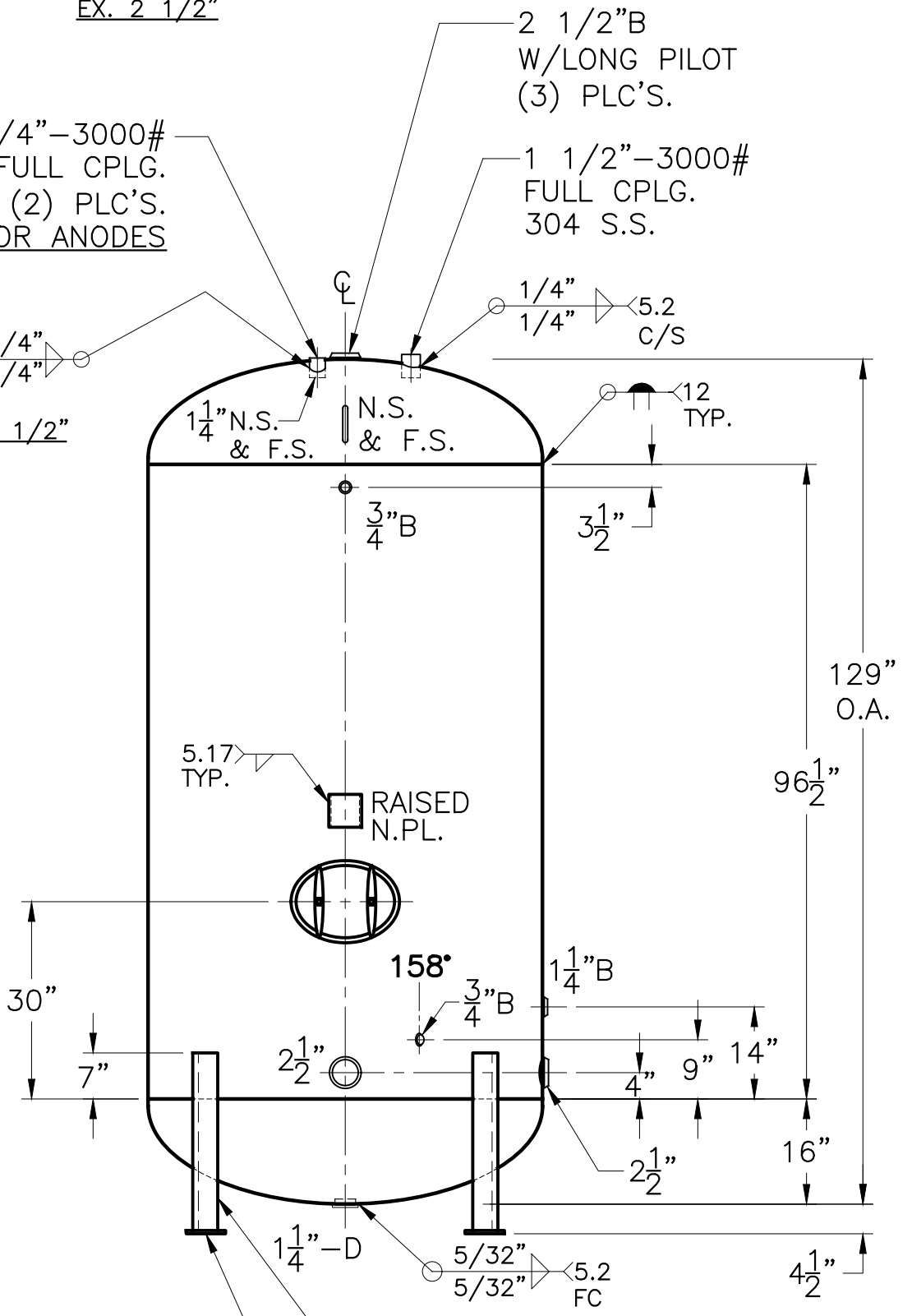
5.2 FC TYP.
EX 1 1/2"

1/4" 1/4" 5.2 C/S

1/4" N.S. & F.S. N.S. & F.S.

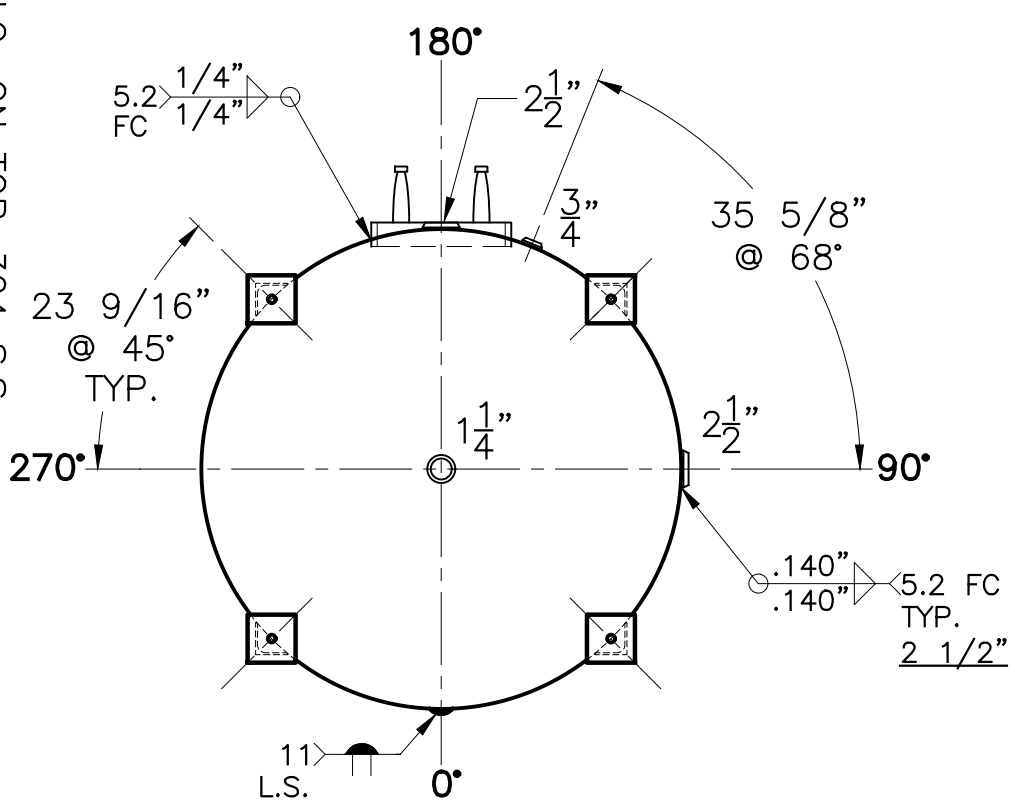
12 TYP.

11"x 15" H.HOLE W/ 1"x 3" LG. GR.70 RING



(4) 4"x 4"x 1/2" THK. x 27" LG. ANGLE LEGS

(4) 6"x 6"x 1/2" THK. PAD W/ 7/8"Ø HOLE



5.2 FC TYP. EX 1 1/2"

35 5/8" @ 68°

23 9/16" @ 45° TYP.

.140" .140" 5.2 FC TYP. 2 1/2"

11 L.S.

SHELL / HEADS	
.250" SA-455	2:1 S.E.
.218" SA-455	
M.A.W.P.	125 PSIG. @ 210 °F
ASME SECTION	IV 2010 ADD. 2011
X-RAY:	RT-NO / H.L.W.
GALLONS:	1450 WT. 2130 LBS.
SERIAL NO.	
N.B.	

NOTE: 1) 1 1/2"-3000# FULL CPLG. ON TOP-304 S.S.
2) 5-6-04 PROOF TEST.
3) HYDRO @ 188 PSIG. MIN. TO 197 PSIG. MAX.
4) SHIP LOOSE W/(2) 1 5/16" x 84" LG. FLEX. MAG. ANODES.

GS-60-1450-V	REV. 12-20-12
FOR: HANSON STANDARD	DATE: 6-14-90
VERT. HOT WATER TANK.	
SURFACE AREA = 185.0 SQ. FT.	
INSIDE: GLASS LINED	
OUTSIDE: PRIME	
LEG-ZONE 4-15 KM.	
CAD-"B" UNDER "STD"-SERIES	
BY: J.G.	SCALE: 1/2"=12"
ROY E. HANSON JR. MFG.	
1600 E. WASHINGTON BLVD.	
LOS ANGELES, CA 90021	