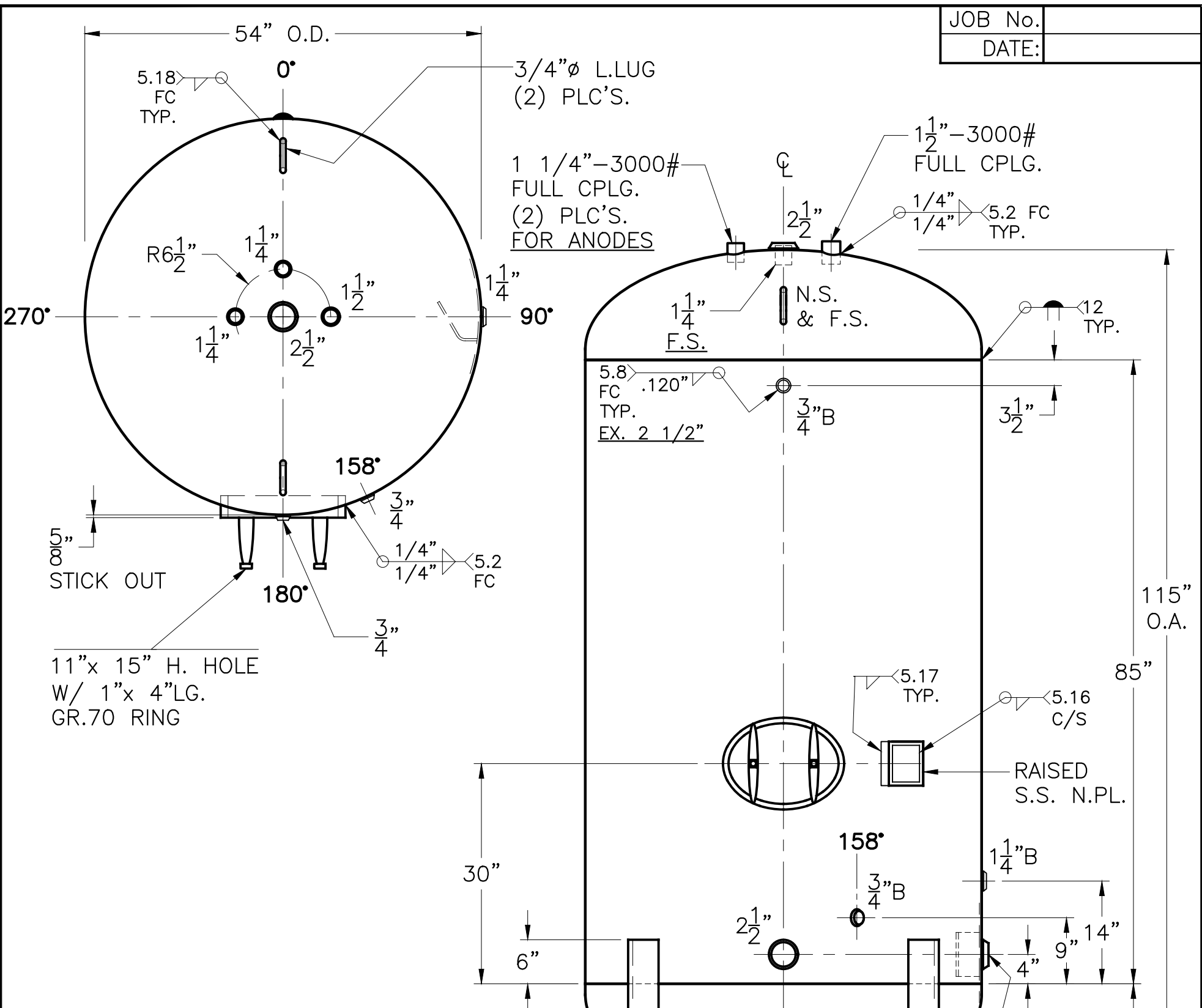


JOB No. _____
 DATE: _____



SHELL / HEADS	
JOGGLED	.250" SA-455 2:1 S.E.
M.A.W.P.	160 PSIG. @ 210 °F
ASME. SECTION	IV 2019
X-RAY:	RT-NO / H.L.W.
GALLONS:	1040 WT. 1764 LBS.
SERIAL NO.	
N.B.	
NOTE: 1) SHIP LOOSE W/ (2) 1 5/16" x 72" LG. FLEX. MAG. ANODES.	
2) 8-4-04 PROOF TEST	
3) HYDRO @ 240 PSIG.	
FOR: HANSON STANDARD	
VERT. HOT WATER TANK.	
SURFACE AREA = 146.1 SQ. FT.	
INSIDE: GLASS LINED	
(5 MILS MIN.)	
OUTSIDE: S. BLAST AND PRIME	
LEG ZONE: 4-15 KM.	
CAD-"B" UNDER "STD"-SERIES	
BY: J.G. SCALE: 3/4"=12"	
REV. 3-17-20	
DATE: 6-13-90	
GS-54-1040-V	
FOR: HANSON STANDARD	
VERT. HOT WATER TANK.	
SURFACE AREA = 146.1 SQ. FT.	
INSIDE: GLASS LINED	
(5 MILS MIN.)	
OUTSIDE: S. BLAST AND PRIME	
LEG ZONE: 4-15 KM.	
CAD-"B" UNDER "STD"-SERIES	
BY: J.G. SCALE: 3/4"=12"	
ROY E. HANSON JR. MFG.	
LOS ANGELES, CA 90021	

