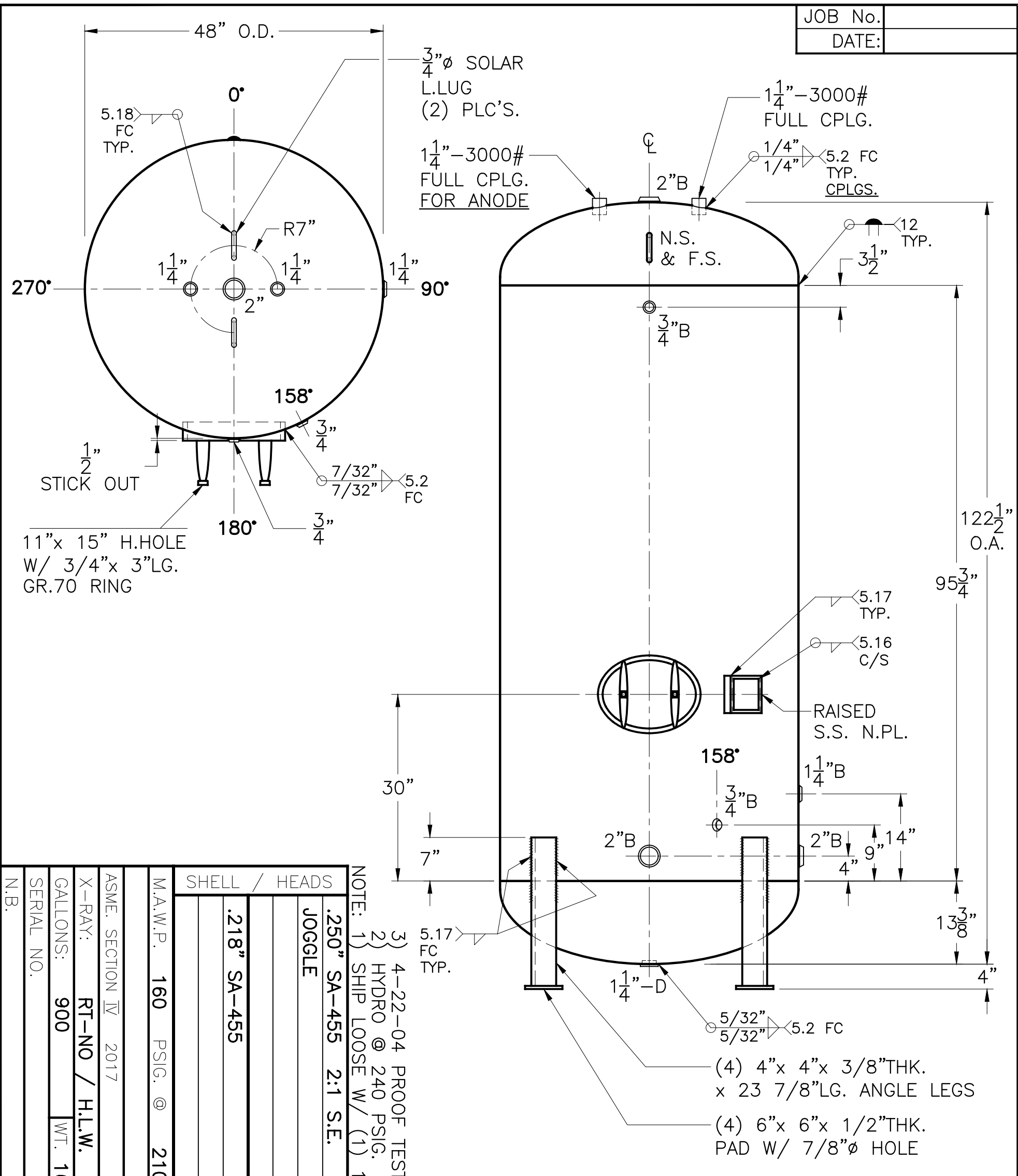


JOB No. _____
 DATE: _____



SHELL / HEADS	
JOGGLE	.250" SA-455 2:1 S.E.
M.A.W.P.	160 PSIG. @ 210 °F
ASME SECTION IV	2017
X-RAY:	RT-NO / H.L.W.
GALLONS:	900 WT. 1620 LBS.
SERIAL NO.	
N.B.	

NOTE: 1) SHIP LOOSE W/ (1) 1 5/16" x 120" LG. FLEX. MAG. ANODE.
 2) HYDRO @ 240 PSIG.
 3) 4-22-04 PROOF TEST.

GS-48-900-V	REV: 11-1-19
FOR: HANSON STANDARD	DATE: 6-13-90
VERT. HOT WATER TANK	
SURFACE AREA = 136.7 SQ. FT.	
INSIDE: GLASS LINED	
(5 MILS MIN.)	
OUTSIDE: S. BLAST & PRIME	
LEG-ZONE 4-15 KM.	
CAD "B" SIZE UNDER "STD" SERIES	
BY: J.G.	SCALE: 3/4"=12"
ROY E. HANSON JR. MFG.	
LOS ANGELES, CA 90021	

