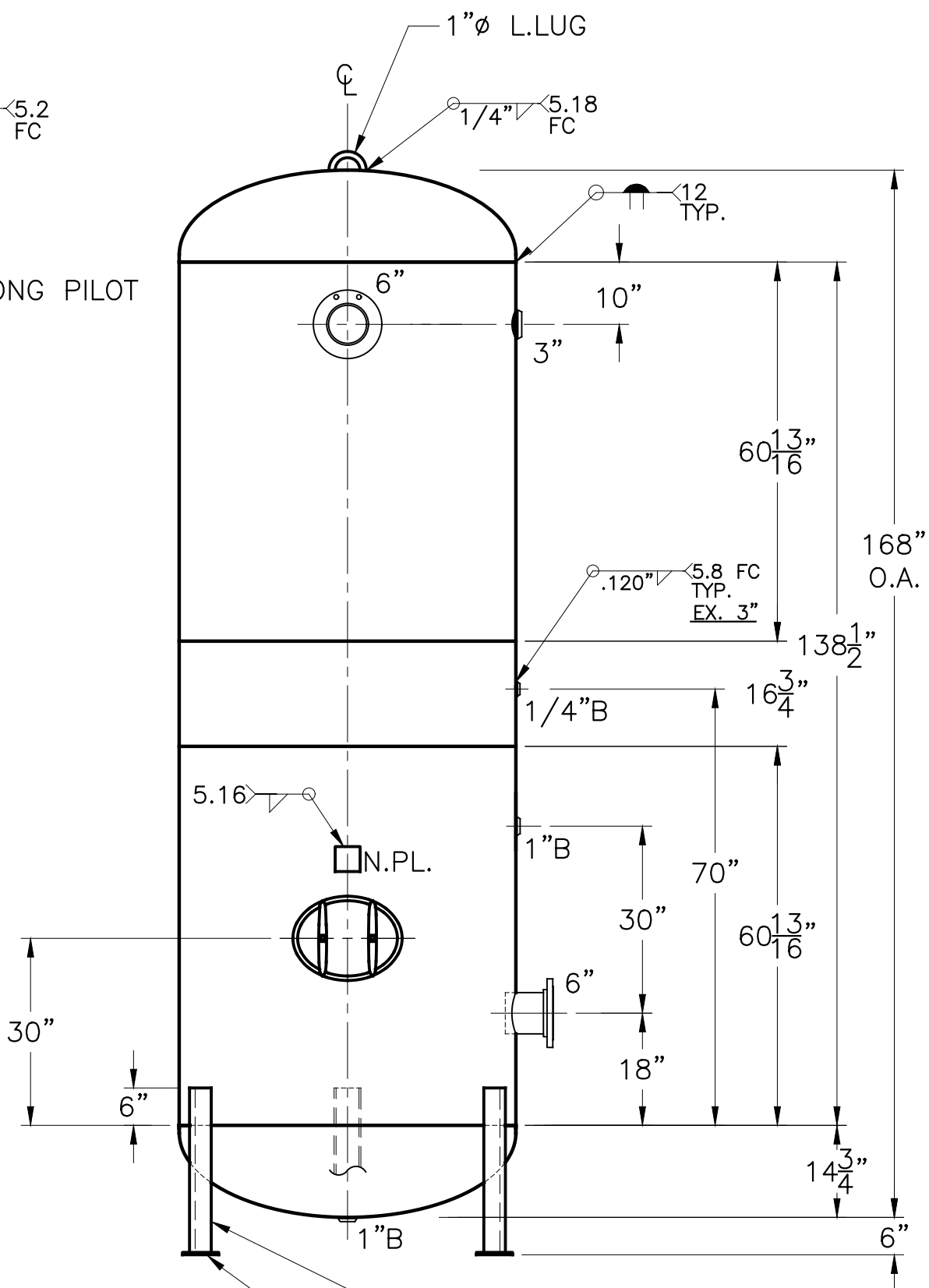


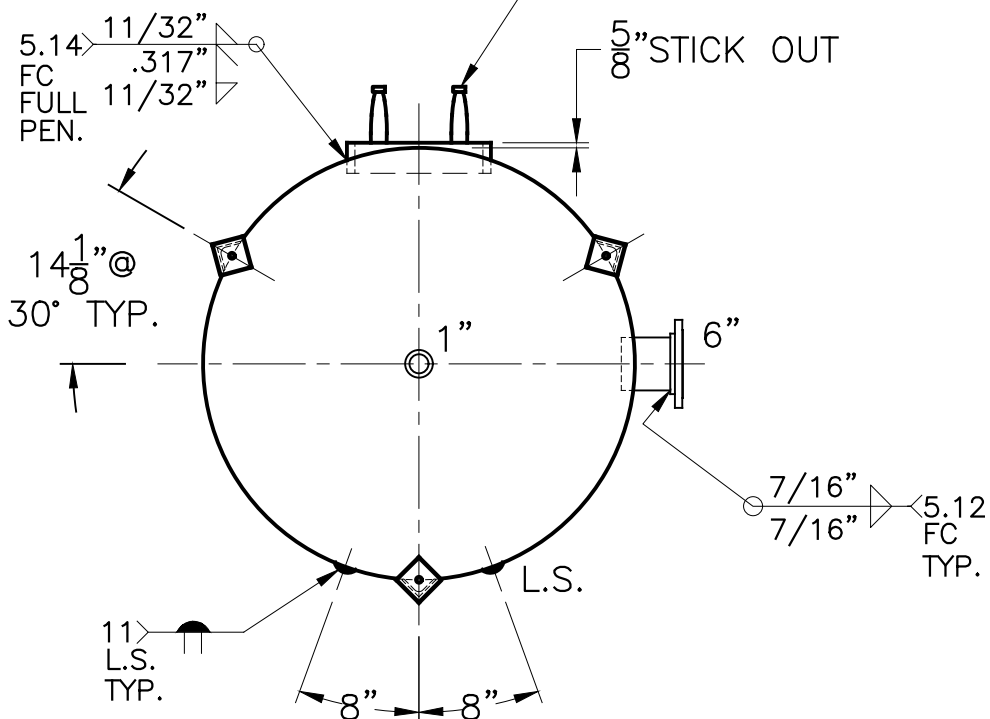
6"-150# R.F.S.O.
 FLG. W/SCH 80
 SA-106-B
 PIPE x 7 5/8"LG.
 (2) PLC'S



(3) 3" x 3" x 3/8" THK.
 x 26 1/4" LG. ANGLE LEGS

(3) 4" x 4" x 1/2" THK.
 PAD W/ 7/8" Ø HOLE
 FOR 5/8" Ø x 8" LG. BOLTS
 GRADE 5 OR BETTER
 6" EMBEDMENT

12" x 16" M.WAY
 W/ 1" x 4" LG.
 GR.70 RING



NOTE: 1) HYDRO @ 260 PSIG. MIN.

SHELL / HEADS		.3125" SA-455 2:1 S.E. (.253" MIN.)	
M.A.W.P.	200 PSIG. @ 400 °F		
M.D.M.T.	-20 °F @ 200 PSIG.		
ASME SECTION VIII	DIV. 1, 2007 ADD 2009		
X-RAY:	RT-4 SPOT L.S. & HDS. G.S.		
GALLONS:	1550 WT. 3200 LBS.		
SERIAL NO.			
N.B.			
54-VA-1550-L		REV. 9-10-10	
FOR: HANSON STANDARD		DATE: 12-8-79	
VERT. AIR TANK			
SURFACE AREA = 210.0 SQ. FT.			
UW-21 (b)			
INSIDE: UNPAINTED			
OUTSIDE: PRIME			
CAD "B" SIZE UNDER "STD"-SERIES			
BY: J.G.	SCALE: 1/2" = 12"		
ROY E. HANSON JR. MFG.			
1600 E. WASHINGTON BLVD.			
LOS ANGELES, CA 90021			