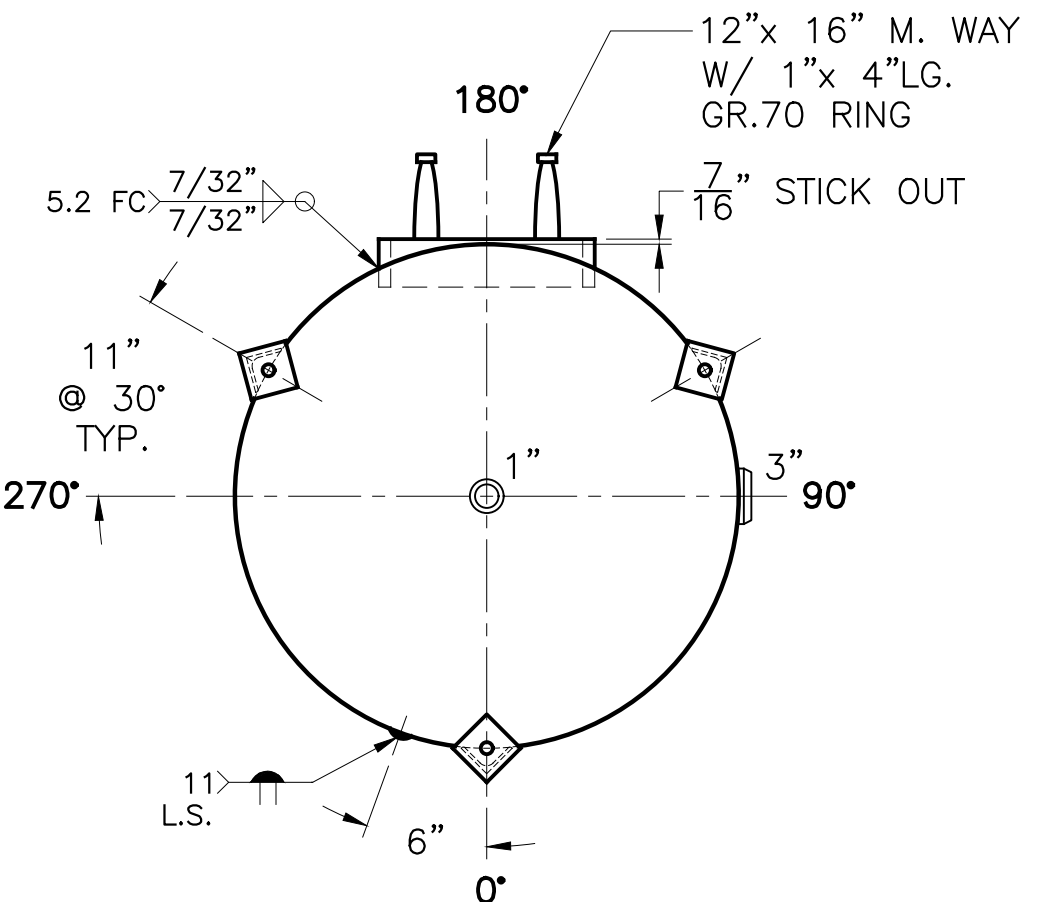


(3) 3"x 3"x 3/16"THK. x 23 1/8"LG. ANGLE LEGS
 (3) 4"x 4"x 1/4"THK. PAD W/ 3/4"Ø HOLE



NOTE: 1) HYDRO @ 195 PSIG. MIN.

SHELL / HEADS		.205" SA-455 2:1 S.E.	
JOGGLE			
.218" SA-455			
M.A.W.P.	150 PSIG. @ 400 °F		
M.D.M.T.	-20 °F @ 150 PSIG.		
ASME. SECTION VIII DIV. 1, 2017			
X-RAY:	RT-NO		
GALLONS:	660	WT.	1270 LBS.
SERIAL NO.			
N.B.			
42-VP-660-L		REV. 12-16-15	
FOR: HANSON STANDARD		DATE: 8-20-92	
VERT. AIR TANK			
SURFACE AREA = 117.0 SQ. FT.			
INSIDE: UNPAINTED			
OUTSIDE: PRIME			
CAD "B" SIZE UNDER "STD"-SERIES			
BY: E.S.	SCALE: 3/4"=12"		
ROY E. HANSON JR. MFG.			
LOS ANGELES, CA 90021			