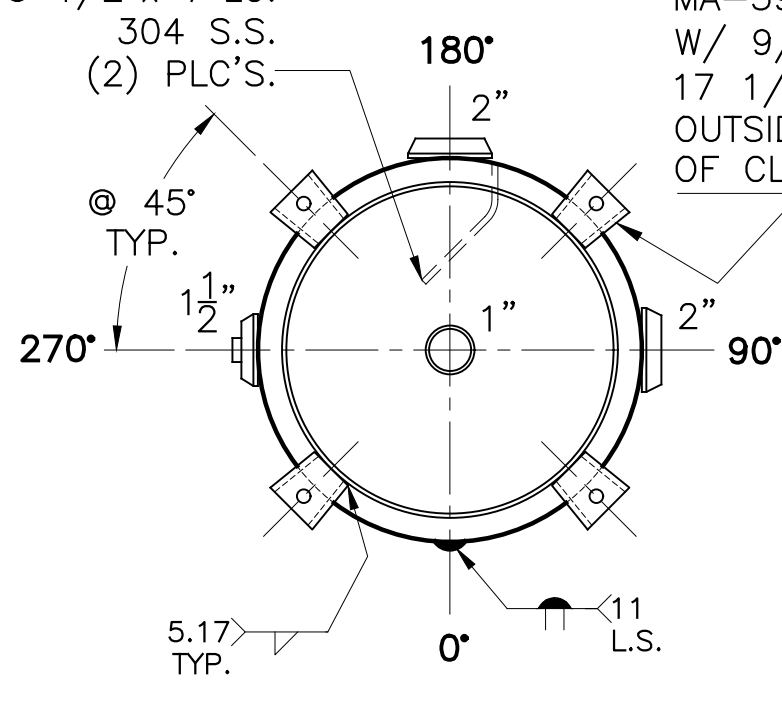


STD. BAFFLE
3 1/2"x 7"LG.
304 S.S.
(2) PLC'S.

1/4"THK. CLIPS PER
MA-395-B (4) PLC'S.
W/ 9/16"Ø HOLE ON
17 1/8"B.C.; WELD
OUTSIDE VERT. EDGE
OF CLIP ONLY



NOTE: 1) HYDRO @ 195 PSIG. MIN.

SHELL / HEADS	
JOGGLE	.149" SA-414-G 2:1 S.E.
M.A.W.P.	150 PSIG. @ 250 °F
M.D.M.T.	-20 °F @ 150 PSIG.
ASME SECTION VIII	DIV. 1, 2017
X-RAY:	RT-NO
GALLONS:	40
WT.	160 LBS.
SERIAL NO.	
N.B.	

WO-372-B	REV. 6-3-19
	DATE: 10-22-14
FOR:	VERT. HOT WATER (BUFFER) TANK
	SURFACE AREA = 18.4 SQ. FT.
INSIDE:	UNPAINTED
OUTSIDE:	EPOXY PRIME & R-16
BY: J.G./B.C.	SCALE: 1/8"=1"
ROY E. HANSON JR. MFG.	
LOS ANGELES, CA 90021	