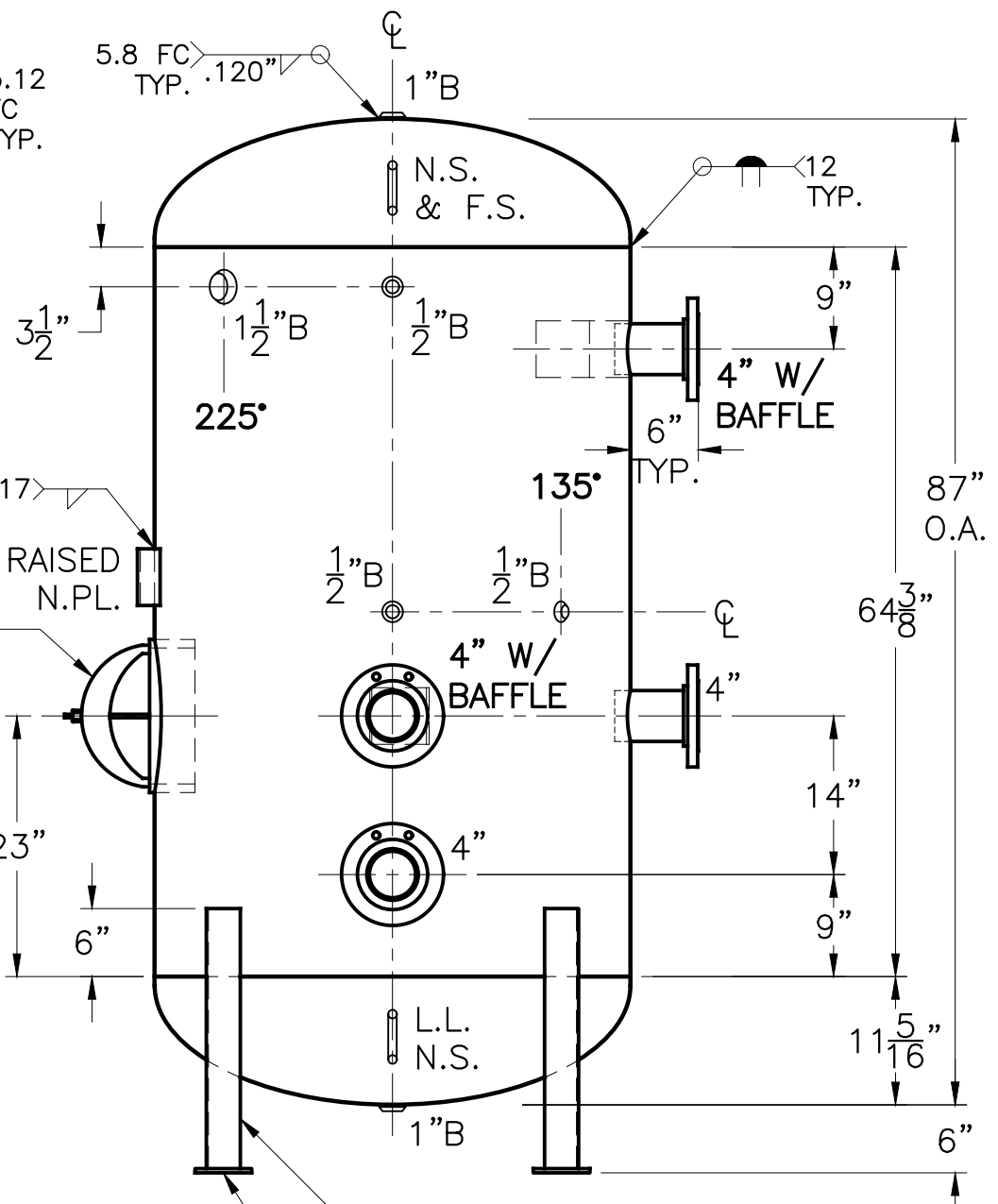


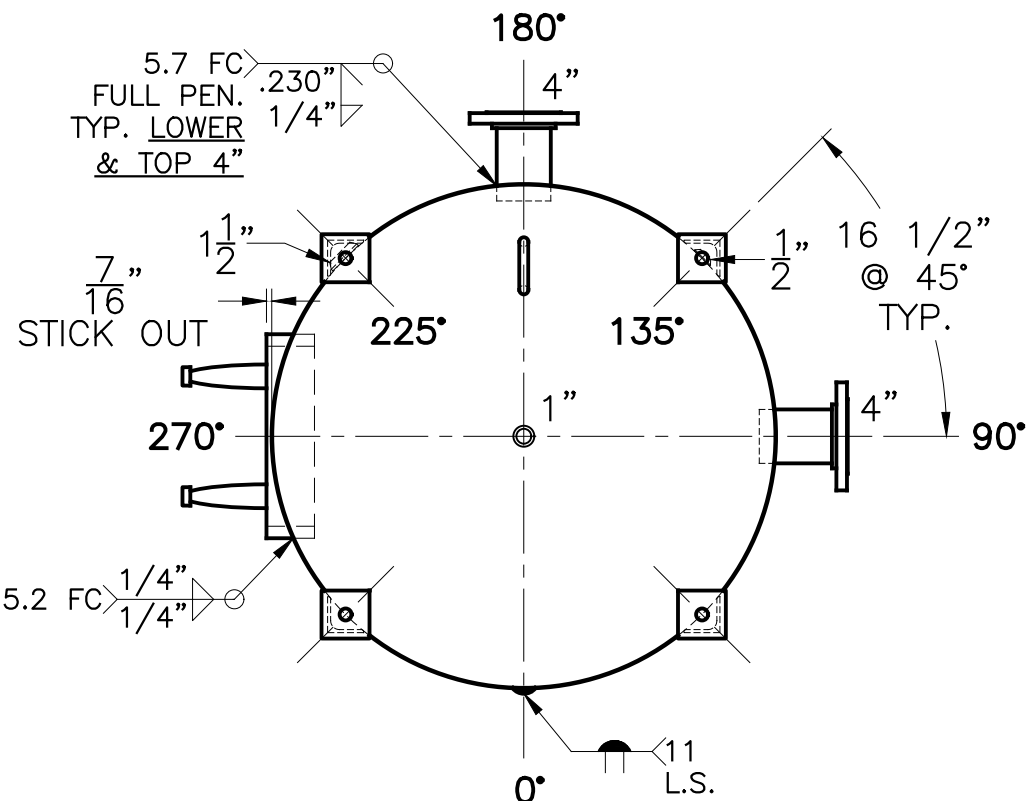
3/4"Ø SOLAR LIFT LUG (3) PLC'S.

4"-150# R.F.S.O. FLG. W/ SCH. 40 SA-106-B PIPE x 7 1/16"LG. (4) PLC'S.



(4) 3"x 3"x 1/4"THK. x 22 15/16"LG. ANGLE LEGS

(4) 4"x 4"x 3/8"THK. PAD W/ 7/8"Ø HOLE FOR 5/8"Ø x 8"LG. BOLTS GRADE 5 OR BETTER 6" EMBEDMENT



NOTE: 1) HYDRO @ 195 PSIG. MIN.

2) INSTALL LOWER AND TOP 4" AFTER G.S. ARE WELDED.

SHELL / HEADS	
M.A.W.P.	150 PSIG. @ 200 °F
M.D.M.T.	0 °F @ 150 PSIG.
ASME. SECTION VIII	DIV. 1, 2010 ADD 2010
X-RAY:	RT-NO
GALLONS:	472
SERIAL NO.	WT. 1125 LBS.
N.B.	

FOR:	VERT. HOT WATER (BUFFER) TANK
	SURFACE AREA = 87.5 SQ. FT.
	UW-21(b)
	INSIDE: UNPAINTED
OUTSIDE:	PRIME & R-16
LEG-ZONE	4-10 KM.
BY: E.S. / C.J.	SCALE: 3/4"=12"
<b>ROY E. HANSON JR. MFG.</b>	
1600 E. WASHINGTON BLVD.	
LOS ANGELES, CA 90021	
WN-349-B	REV. 9-29-11
	DATE: 9-27-11