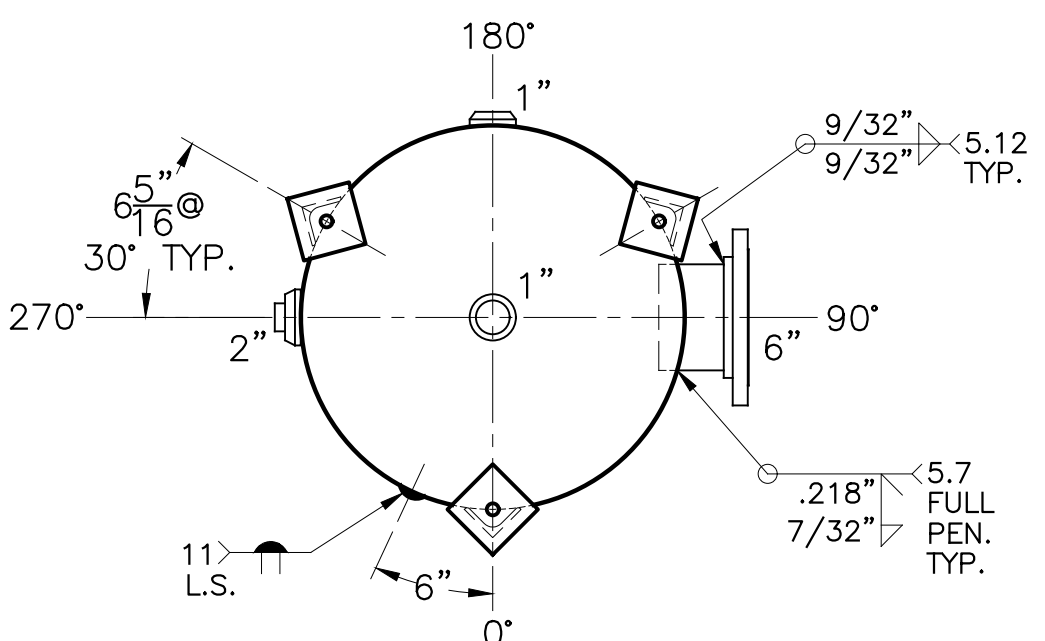


(3) 2 1/2" x 2 1/2" x 3/16" THK. x 16 1/16" LG. ANGLE LEGS

(3) 4" x 4" x 1/4" THK. PAD W/ 3/4" ϕ HOLE FOR 1/2" ϕ x 8" LG. BOLTS GRADE 5 OR BETTER 6" EMBEDMENT



NOTE: 1) HYDRO @ 195 PSIG. MIN. 2) INSTALL ALL (2) 6" COLLARS AFTER GIRTH SEAMS ARE WELDED.

.164" SA-414-G 2:1 S.E.
JOGGLE - .159 OFFSET

WN-195-B

REV. 3-25-11
DATE: 3-21-11

SHELL / HEADS	
M.A.W.P.	150 PSIG. @ 250 °F
M.D.M.T.	0 ° F @ 150 PSIG.
ASME. SECTION VIII DIV. 1, 2010 ADD 2010	
X-RAY:	RT-NO
GALLONS:	125 WT. 535 LBS.
SERIAL NO.	
N.B.	

FOR:
VERT. HOT WATER (BUFFER) TANK
SURFACE AREA = 39.4 SQ. FT.
UW-21 (b)
INSIDE: UNPAINTED

OUTSIDE: SHOP PRIME
LEG-ZONE 4-15 KM.
BY: J.G./C.J. SCALE: 1"=12"
ROY E. HANSON JR. MFG.
1600 E. WASHINGTON BLVD.
LOS ANGELES, CA 90021