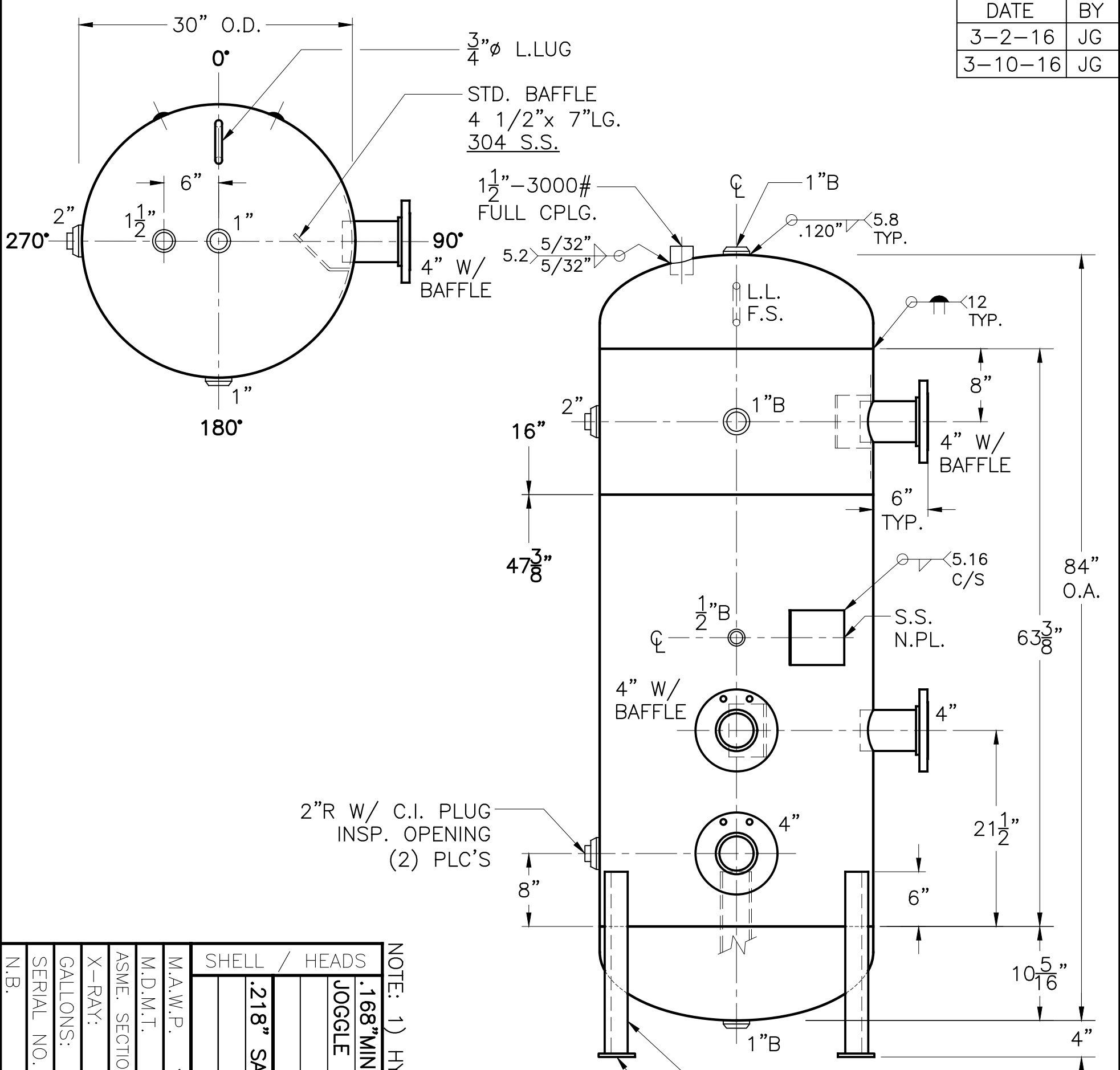


DATE	BY
3-2-16	JG
3-10-16	JG



2"R W/ C.I. PLUG
INSP. OPENING
(2) PLC'S

(3) 3"x 3"x 1/4"THK.
x 19 15/16"LG. ANGLE LEGS
(3) 4"x 4"x 3/8"THK.
PADS W/ 7/8"Ø HOLE

4"-150# R.F.S.O.
FLG. W/ SCH. 40
SA-106-B
PIPE x 7 1/16 LG.
(4) PLC'S.

NOTE: 1) HYDRO @ 195 PSIG. MIN.

SHELL / HEADS	
JOGGLE	.168"MIN. SA-414-G 2:1 S.E.
M.A.W.P.	150 PSIG. @ 250 °F
M.D.M.T.	32 °F @ 150 PSIG.
ASME. SECTION VIII	DIV. 1, 2015
X-RAY:	RT-NO
GALLONS:	235
SERIAL NO.	WT. 637 LBS.
N.B.	

WN-092-B	REV. 3-10-16
FOR: VERT. HOT WATER TANK	DATE: 11-10-10
SURFACE AREA = 58.7 SQ. FT.	
INSIDE: UNPAINTED	
OUTSIDE: PRIME	
LEG-ZONE 4-15 KM.	
BY: E.S. / B.C.	SCALE: 1"=12"
ROY E. HANSON JR. MFG.	
LOS ANGELES, CA 90021	

