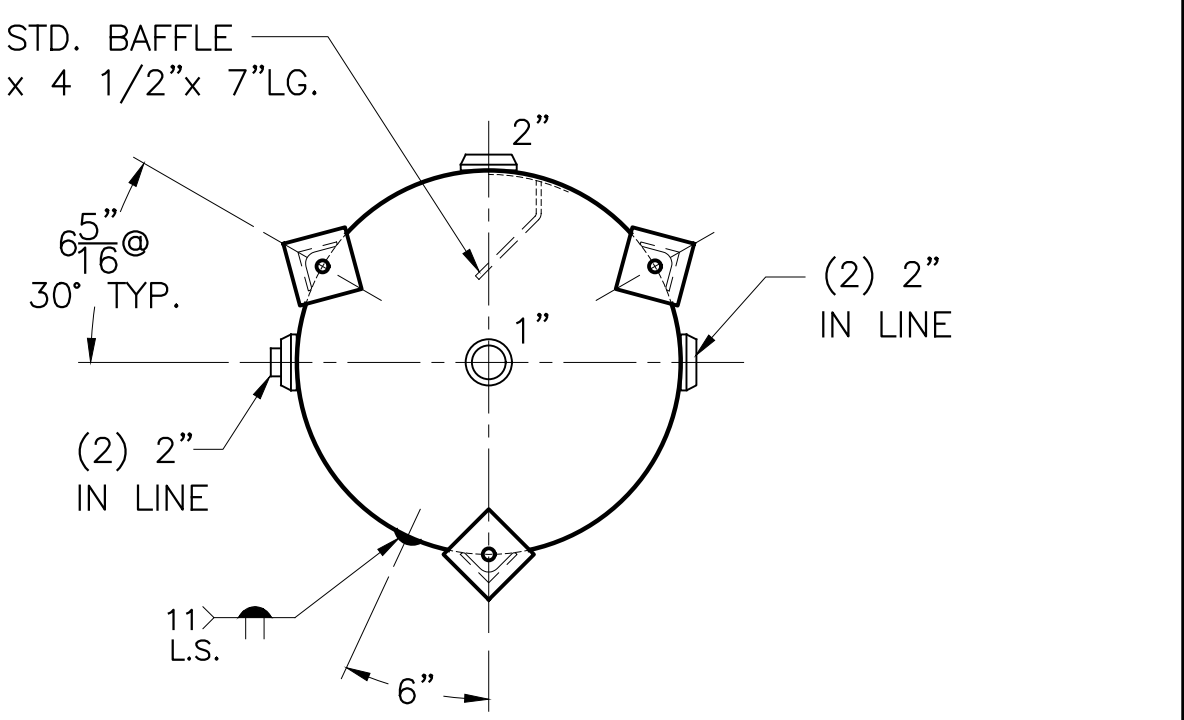


NOTE: 1) HYDRO @ 195 PSIG. MIN.
 2) 3"R W/LONG PILOT - MACHINE TO 4 5/16" O.D.



SHELL / HEADS		JOGGLE		.164" SA-414-G 2:1 S.E.	
M.A.W.P.	150 PSIG. @	250 °F			
M.D.M.T.	0 ° F @	150 PSIG.			
ASME. SECTION VIII DIV. 1, 2007 ADD 2008					
X-RAY:	RT-NO	WT.	228 LBS.		
GALLONS:	115				
SERIAL NO.					
N.B.					
FOR: VERT. WATER (BUFFER) TANK		INSIDE: UNPAINTED		OUTSIDE: PRIME	
LEG-ZONE 4-15 KM.		BY: J.G./C.J.		SCALE: 1"=12"	
ROY E. HANSON JR. MFG.		1600 E. WASHINGTON BLVD.		LOS ANGELES, CA 90021	
WM-718-B		REV. DATE: 6-15-09			