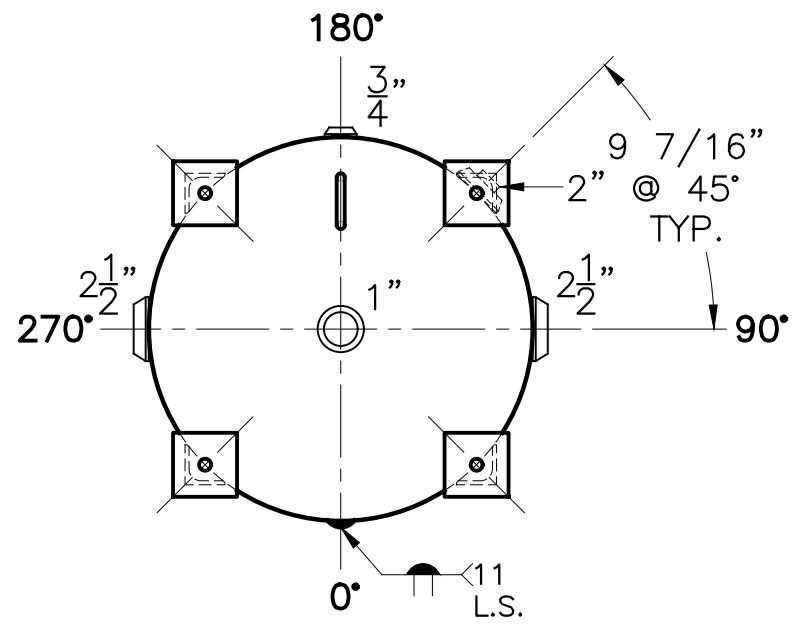
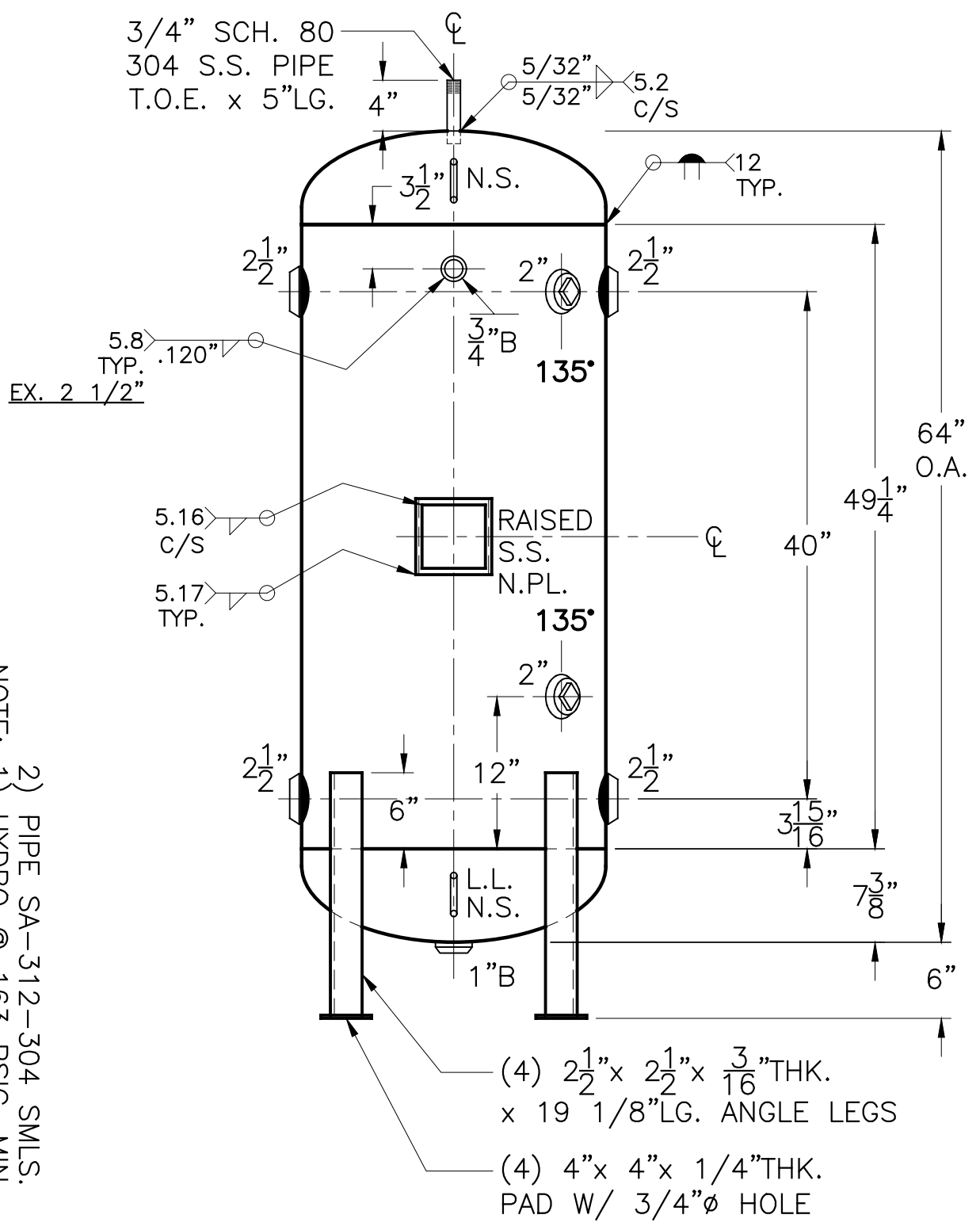
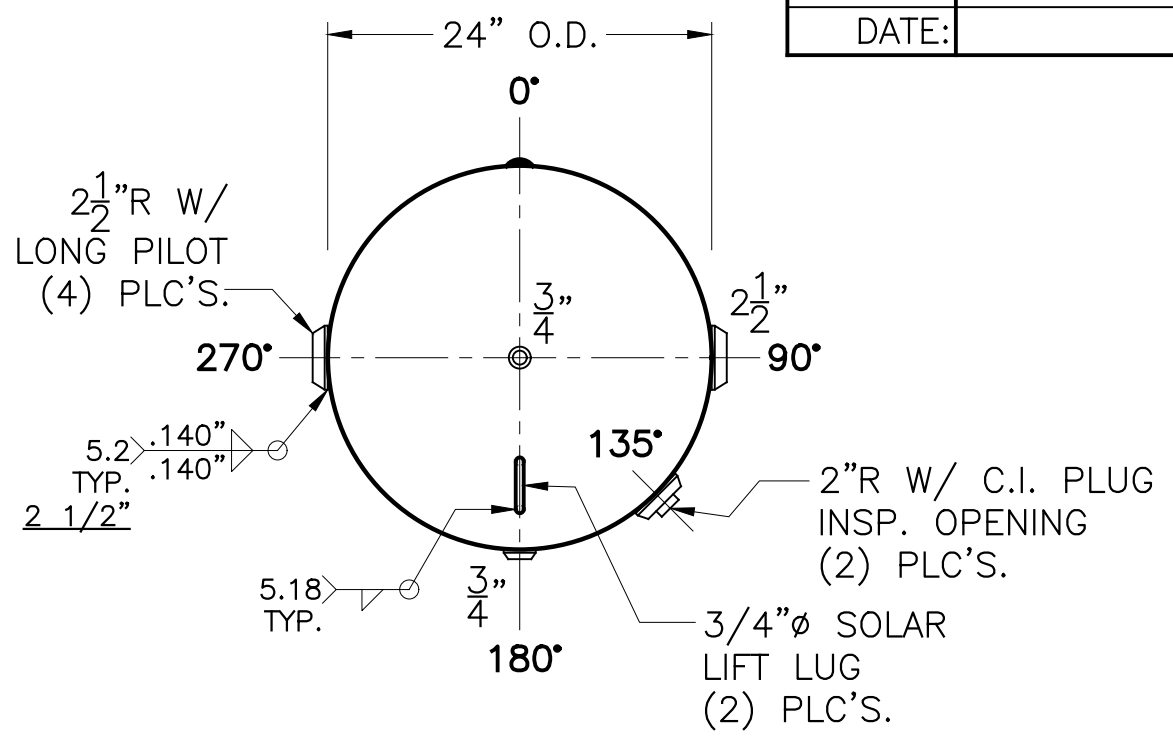


JOB No. \_\_\_\_\_  
 DATE: \_\_\_\_\_



NOTE: 1) HYDRO @ 163 PSIG. MIN.  
 2) PIPE SA-312-304 SMLS.

SHELL / HEADS	
JOGGLE	.164" SA-414-G 2:1 S.E.
M.A.W.P.	125 PSIG. @ 200 °F
M.D.M.T.	-20 °F @ 125 PSIG.
ASME SECTION VIII DIV. 1, 2017	
X-RAY:	RT-NO
GALLONS:	120 WT. 325 LBS.
SERIAL NO.	
N.B.	

FOR:	VERT. HOT WATER (BUFFER) TANK
	SURFACE AREA = 36.0 SQ. FT.
INSIDE:	UNPAINTED
OUTSIDE:	PRIME
LEG-ZONE	4-15 KM.
BY:	J.G./B.C.
SCALE:	1"=12"
<b>ROY E. HANSON JR. MFG.</b>	
LOS ANGELES, CA 90021	
WM-657-B	REV. 5-8-19
	DATE: 4-7-09