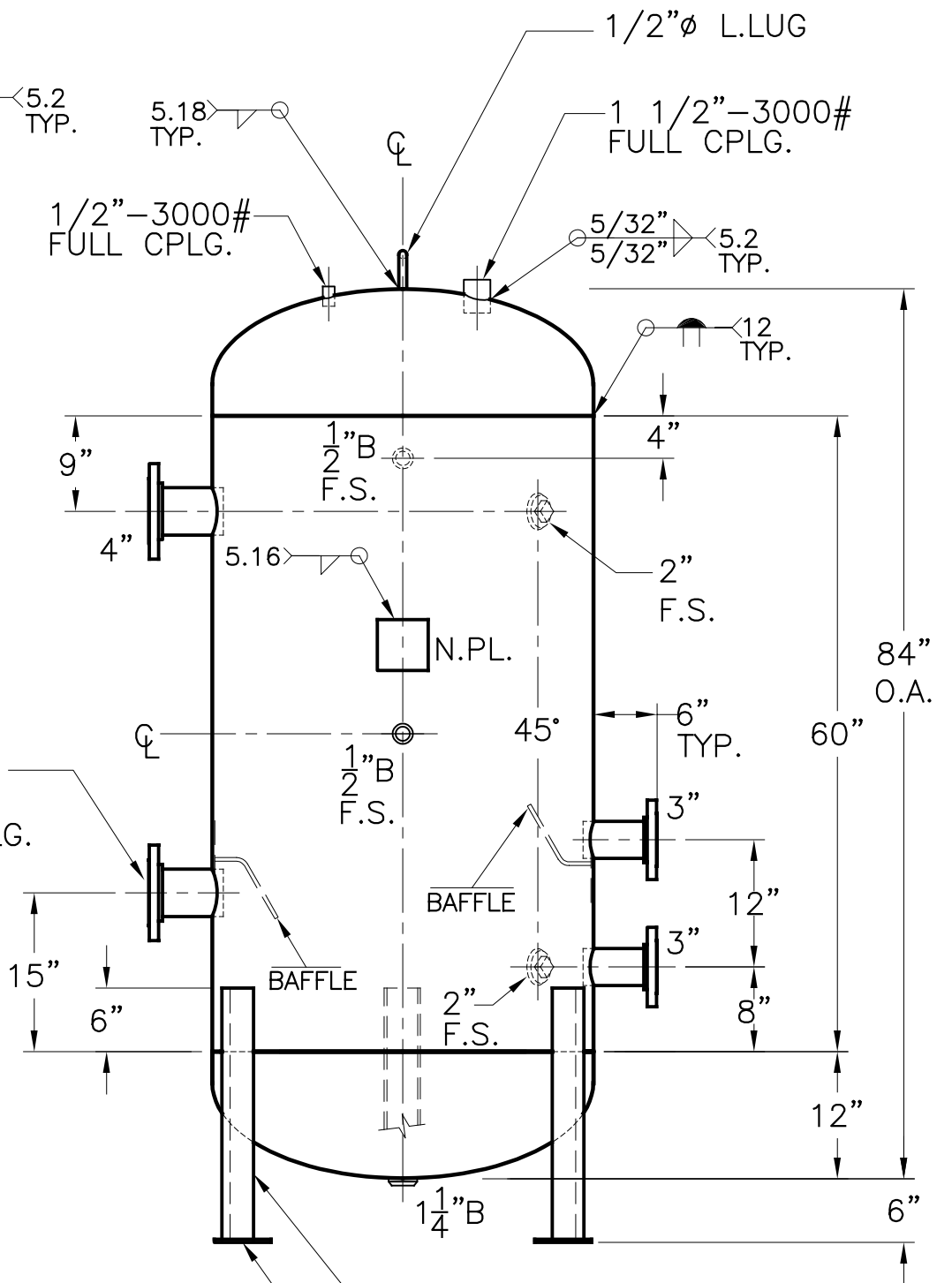


2"R W/C.I. PLUG  
INSP. OPENING  
(2) PLC'S

3"-150# R.F.S.O.  
FLG. W/SCH 40  
PIPE x 7"LG.  
(2) PLC'S

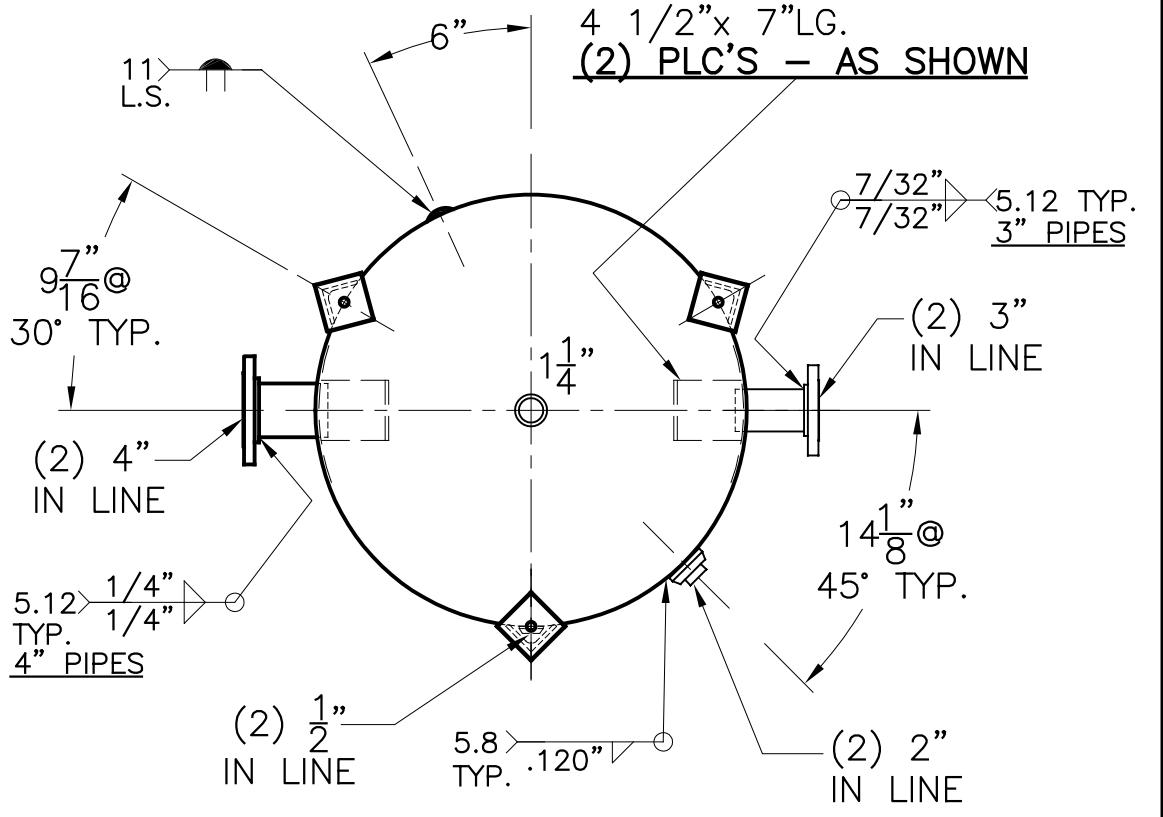


4"-150# R.F.S.O.  
FLG. W/SCH 40  
PIPE x 7 1/16"LG.  
(2) PLC'S

(3) 3"x 3"x 3/8"THK.  
x 23 5/8"LG. ANGLE LEGS

(3) 4"x 4"x 3/8"THK.  
PADS W/3/4"Ø HOLE  
FOR 1/2"Ø x 6"LG. BOLTS  
GRADE 5 OR BETTER

STD. BAFFLE  
4 1/2"x 7"LG.  
(2) PLC'S - AS SHOWN



NOTE: 1) HYDRO @ 197 PSIG. MIN.

SHELL / HEADS	
JOGGLE	.182" SA-455 2:1 S.E.
M.A.W.P.	150 PSIG. @ 200 °F
M.D.M.T.	0 °F @ 150 PSIG.
ASME. SECTION VIII DIV. 1, 2004 ADD 2006	
X-RAY:	RT-NO
GALLONS:	335
SERIAL NO.	WT. 708 LBS.
N.B.	

FOR:	WM-002-B	REV. 8-9-07
VERT. WATER (BUFFER) TANK		DATE: 8-7-07
INSIDE:	UNPAINTED	
OUTSIDE:	PRIME	
LEG ZONE:	4-2 KM.	
BY: J.G. / H.D.	SCALE: 3/4"=12"	
<b>ROY E. HANSON JR. MFG.</b>		
1600 E. WASHINGTON BLVD. LOS ANGELES, CA 90021		