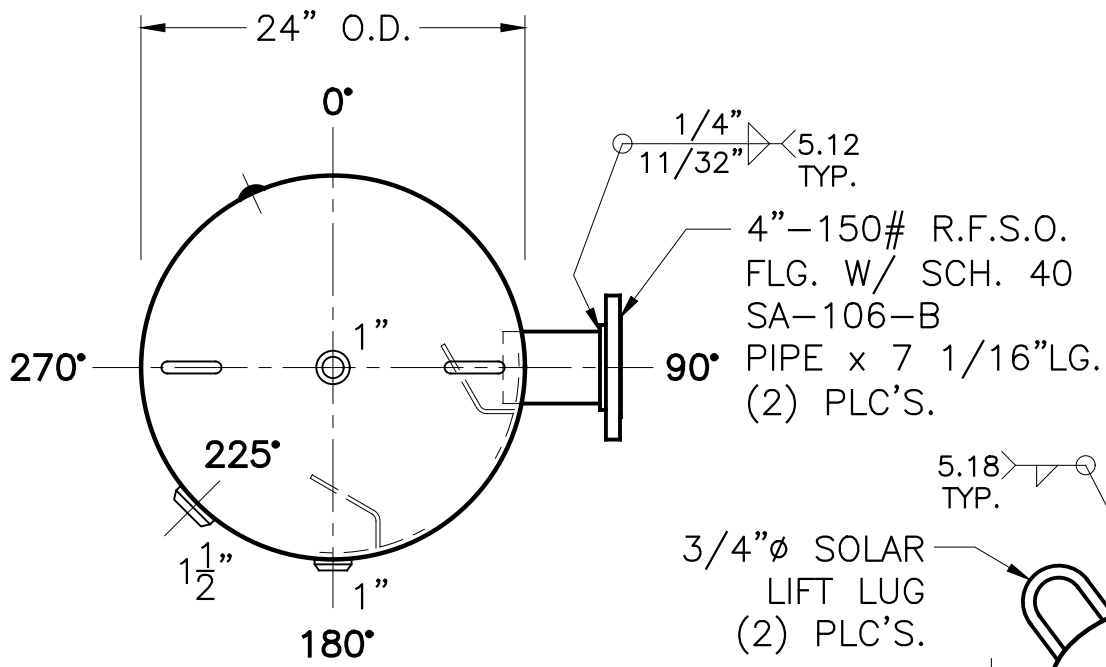
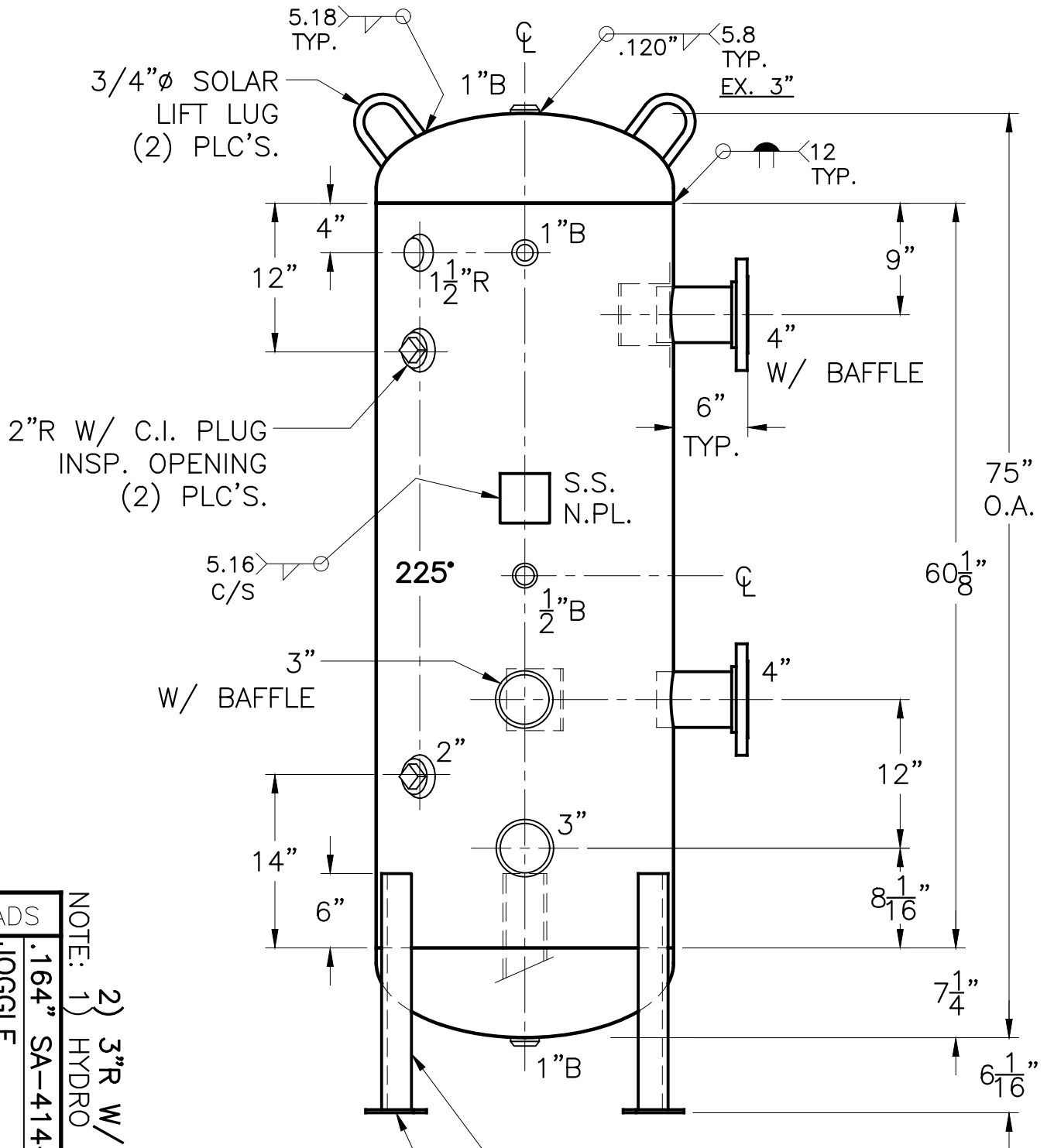


DATE	BY
2-5-14	RH
6-6-14	RH
1-6-16	JG
11-10-16	JG



4"-150# R.F.S.O.
FLG. W/ SCH. 40
SA-106-B
PIPE x 7 1/16"LG.
(2) PLC'S.

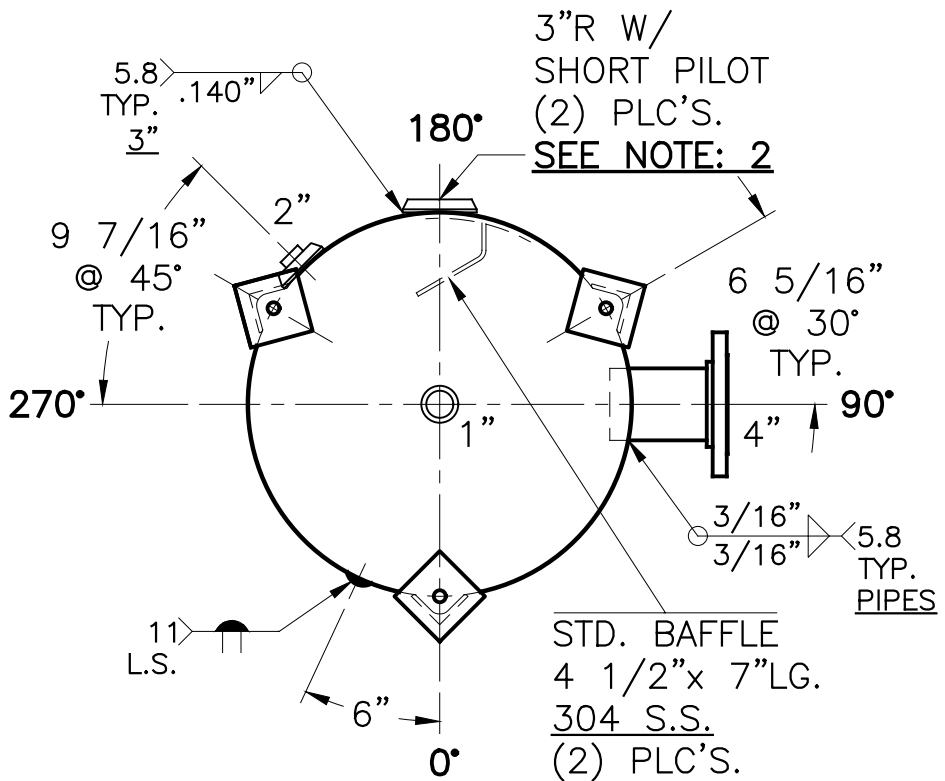


3/4"Ø SOLAR
LIFT LUG
(2) PLC'S.

2"R W/ C.I. PLUG
INSP. OPENING
(2) PLC'S.

5.16
C/S

(3) 2 1/2" x 2 1/2" x 3/16" THK.
x 19 1/16" LG. ANGLE LEGS
(3) 4" x 4" x 1/4" THK.
PAD W/ 3/4"Ø HOLE



3"R W/
SHORT PILOT
(2) PLC'S.
SEE NOTE: 2

STD. BAFFLE
4 1/2" x 7" LG.
304 S.S.
(2) PLC'S.

NOTE: 1) HYDRO @ 195 PSIG. MIN.
2) 3"R W/ SHORT PILOT - MACHINE TO 4 5/16" O.D.

SHELL / HEADS	
JOGGLE	.164" SA-414-G 2:1 S.E.
M.A.W.P.	150 PSIG. @ 200 °F
M.D.M.T.	0 °F @ 150 PSIG.
ASME SECTION VIII DIV. 1, 2015	
X-RAY:	RT-NO
GALLONS:	139 WT. 375 LBS.
SERIAL NO.	
N.B.	

FOR:	VERT. HOT WATER TANK
	SURFACE AREA = 41.8 SQ. FT.
	UW-21(b)
	INSIDE: UNPAINTED
	OUTSIDE: PRIME & R-16
	LEG-ZONE 4-15 KM.
BY: E.S. / R.V.	SCALE: 1"=12"
ROY E. HANSON JR. MFG.	
LOS ANGELES, CA 90021	
WJ-824-B	REV: 11-10-16
	DATE: 9-13-02