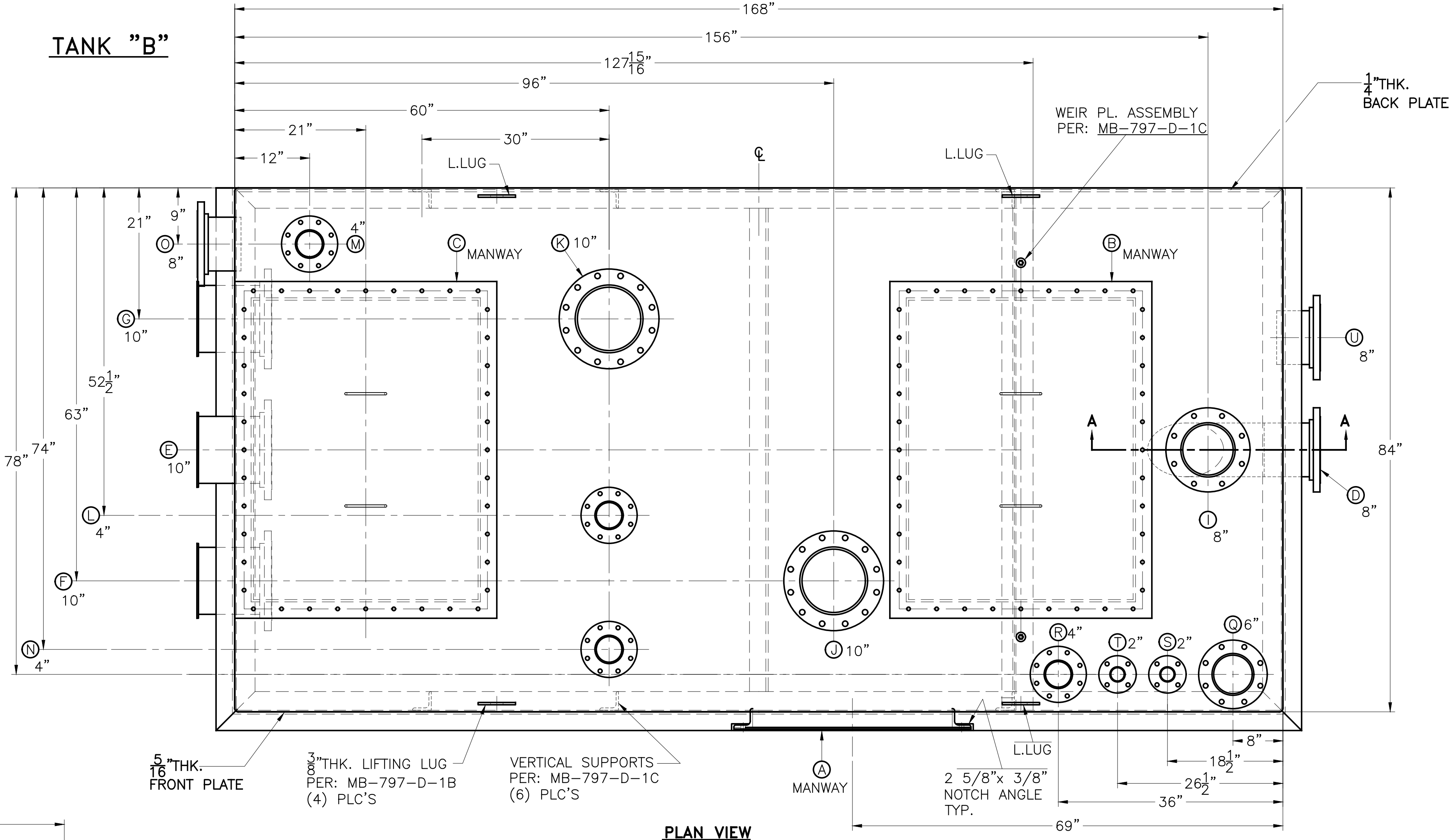
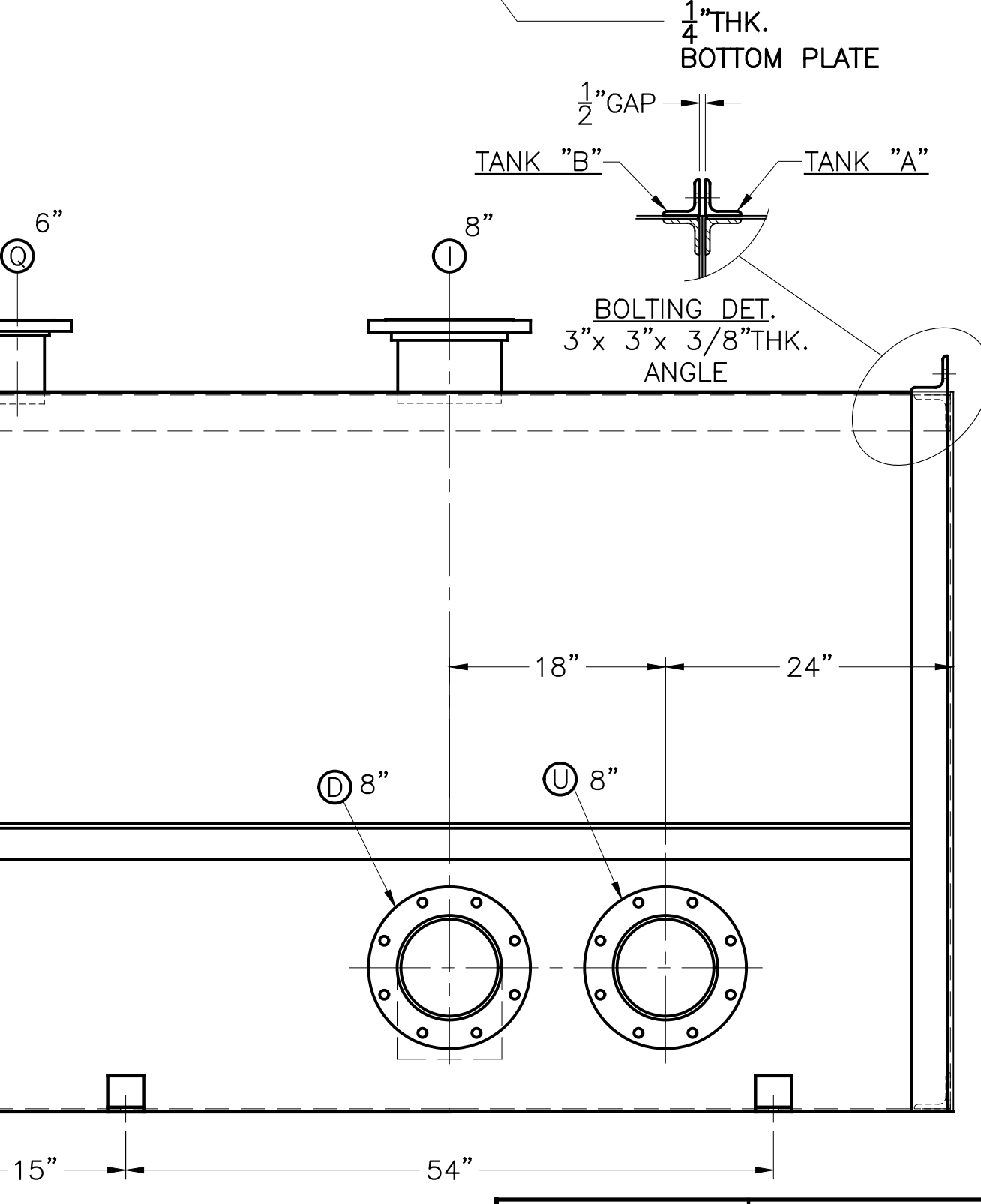
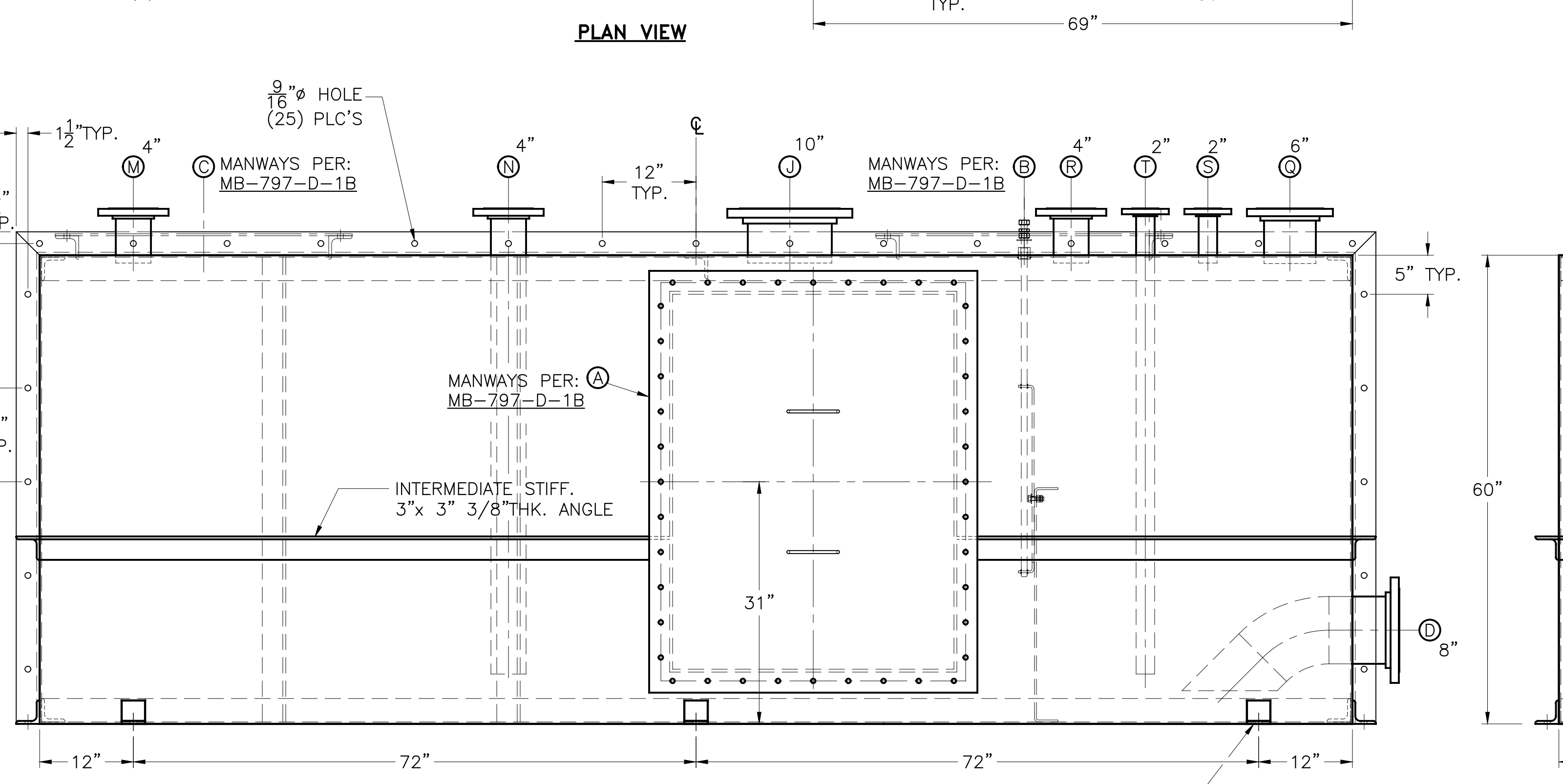
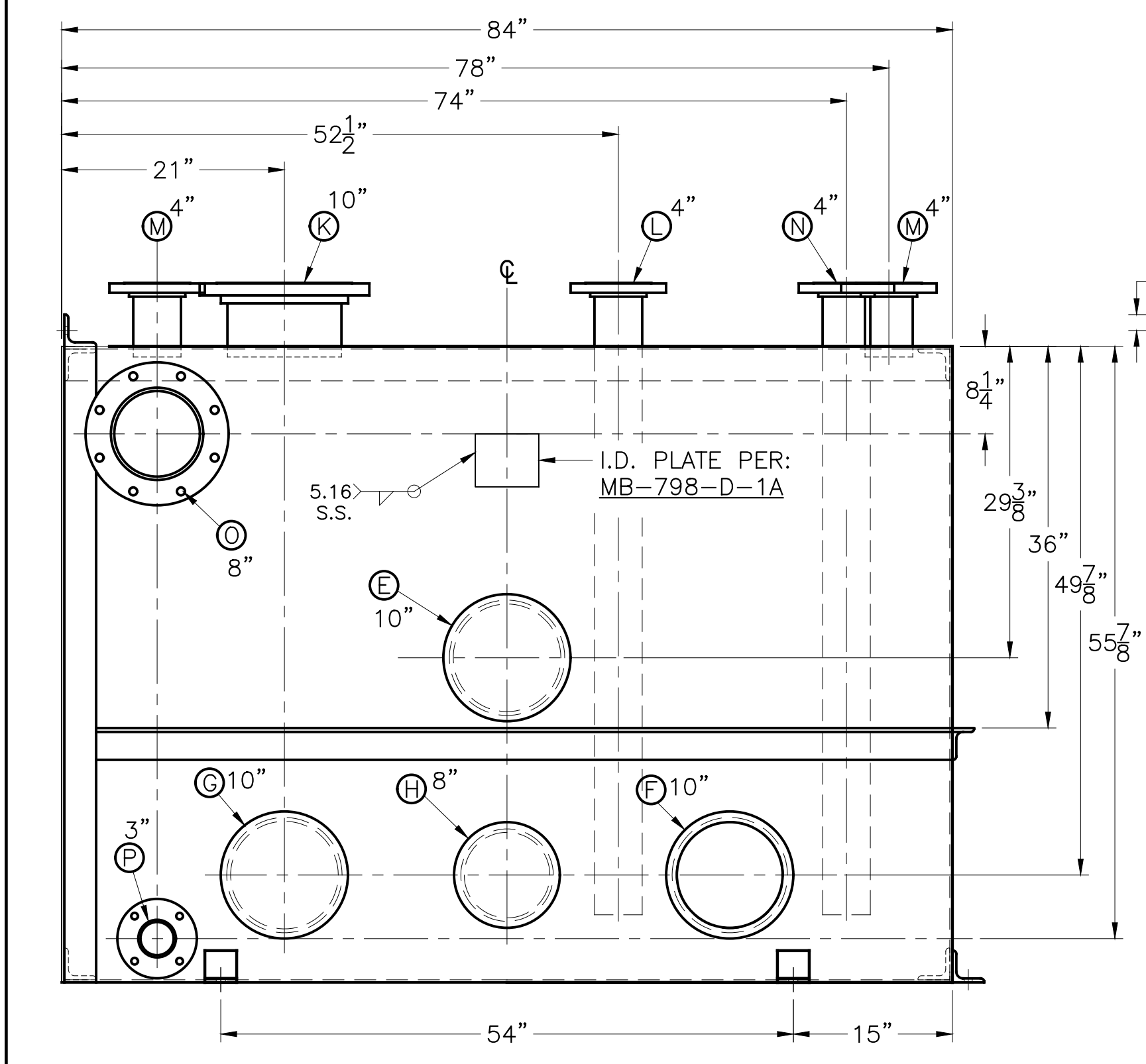
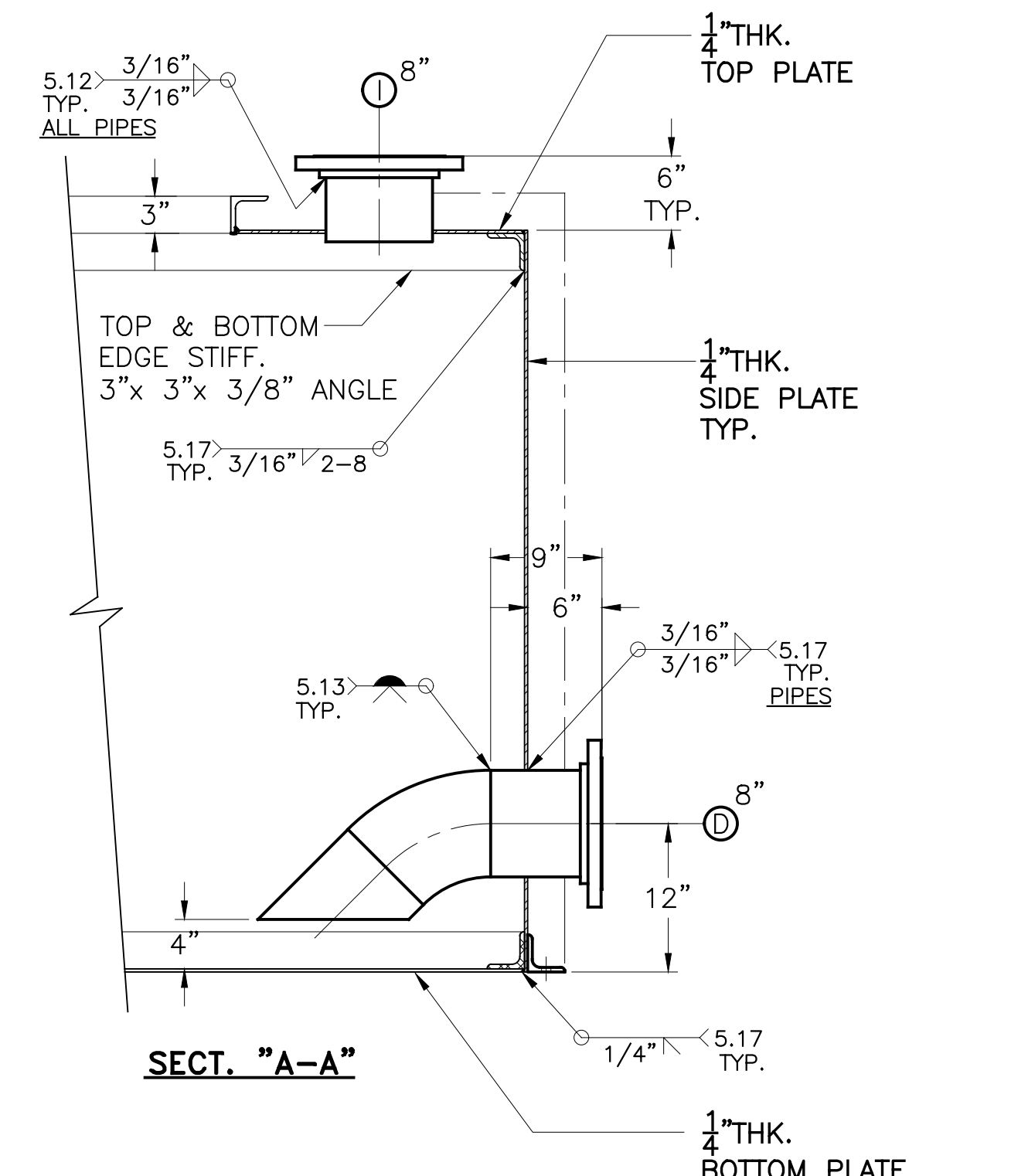


NOZZLE SCHEDULE		
NOZZLE	DESCRIPTION	SERVICE
A	36"x 48"	MANWAY
B	36"x 48"	MANWAY
C	36"x 48"	MANWAY
D	8"-150# RFSO FLG. W/SCH 40 PIPE x "LG. W/SCH 40, 45° L.R. ELL W/SCH 40 PIPE x 12"LG.	PUMP SUCTION, W/ 316 S.S. INTERNAL PIPING
E	10"-150# RFSO FLG. W/SCH 40 PIPE x 11 3/16"LG. W/ 1/4"x 12Ø BLANK-OFF	SETTLING RETURN SPOOL - SEE DETAIL
F	10"-150# RFSO FLG. W/SCH 40 PIPE x 11 3/16"LG. W/ 1/4"x 12Ø BLANK-OFF	NON-SETTLING RETURN SPOOL - SEE DETAIL
G	10"-150# RFSO FLG. W/SCH 40 PIPE x 11 3/16"LG. W/ 1/4"x 12Ø BLANK-OFF	NON-SETTLING RETURN SPOOL - SEE DETAIL
H	1/4" BLANK-OFF W/8" SCH 40 PIPE x 6 5/8"LG.	NON-SETTLING BYPASS
I	8"-150# RFSO FLG. W/8" SCH 40 PIPE x 6 5/8"LG.	SETTLING BYPASS
J	10"-150# RFSO FLG. W/SCH 40 PIPE x 6 5/8"LG.	FUTURE MIXER
K	10"-150# RFSO FLG. W/SCH 40 PIPE x 6 5/8"LG.	FUTURE MIXER
L	4"-150# RFSO FLG. W/SCH 40 PIPE x 59 5/8"LG.	LAKOS SEPERATOR W/ DIP TUBE
M	4"-150# RFSO FLG. W/SCH 40 PIPE x 6 5/8"LG.	VENT
N	4"-150# RFSO FLG. W/SCH 40 PIPE x 59 5/8"LG.	LEVEL SENSOR W/316 S.S. STILLING WELL
O	8"-150# RFSO FLG. W/SCH 40 PIPE x 6 5/8"LG.	OVERFLOW
P	3"-150# RFSO FLG. W/SCH 40 PIPE x 6 5/8"LG.	DRAIN
Q	6"-150# RFSO FLG. W/SCH 40 PIPE x 6 5/8"LG.	FUTURE
R	4"-150# RFSO FLG. W/SCH 40 PIPE x 6 5/8"LG.	FUTURE FILTRATION INLET
S	2"-150# RFSO FLG. W/SCH 40 PIPE x 6 5/8"LG.	FUTURE
T	2"-150# RFSO FLG. W/SCH 40 PIPE x 59 5/8"LG.	SWS MAKEUP INLET W/ DIP TUBE
U	8"-150# RFSO FLG. W/SCH 40 PIPE x 6 5/8"LG.	TANK INTERCONNECT



- TANK GENERAL NOTES:**
1. TANK MATERIAL AND INTERNAL HARDWARE, BOLTING AND PIPING TO BE 316L STAINLESS STEEL.
 2. ALL EDGES AND WELDS TO HAVE SHARP EDGES REMOVED AND DEBURRED.
 3. BOLT HOLES STRADDLE TANK CENTER LINES.
 4. LIFTING LUGS CAN BE USED FOR VERTICAL UPRIGHT LIFTING, ENGAGED ALL FOUR LUGS EVENLY. UPWARD FORCE NOT TO DEVIATE FROM VERTICAL LINE MORE THEN 45 DEGREE. (SPREAD BAR AT CENTER)
 5. ANCHORING OF TANK TO CONCRETE PAD BY OTHERS.
 6. ALL NOZZLES HAVE 6" PROJECTION FROM TANK SURFACE TO FACE OF FLANGE UNLESS SPECIFICALLY NOTED.
 7. ALL ANGLE 3"x 3"x 3/8".



END VIEW / NORTH
MANWAY NOT SHOWN

ELEVATION

END VIEW / SOUTH
MANWAY NOT SHOWN

MB-798-D	REV. 5-23-17
FOR:	DATE: 5-19-17
PROCESS STEEL TANK	
BY: J.G./B.C.	SCALE: 1"=12"
ROY E. HANSON JR. MFG.	
LOS ANGELES, CA 90021	

PROX. UNIT WT: 8113 LBS.