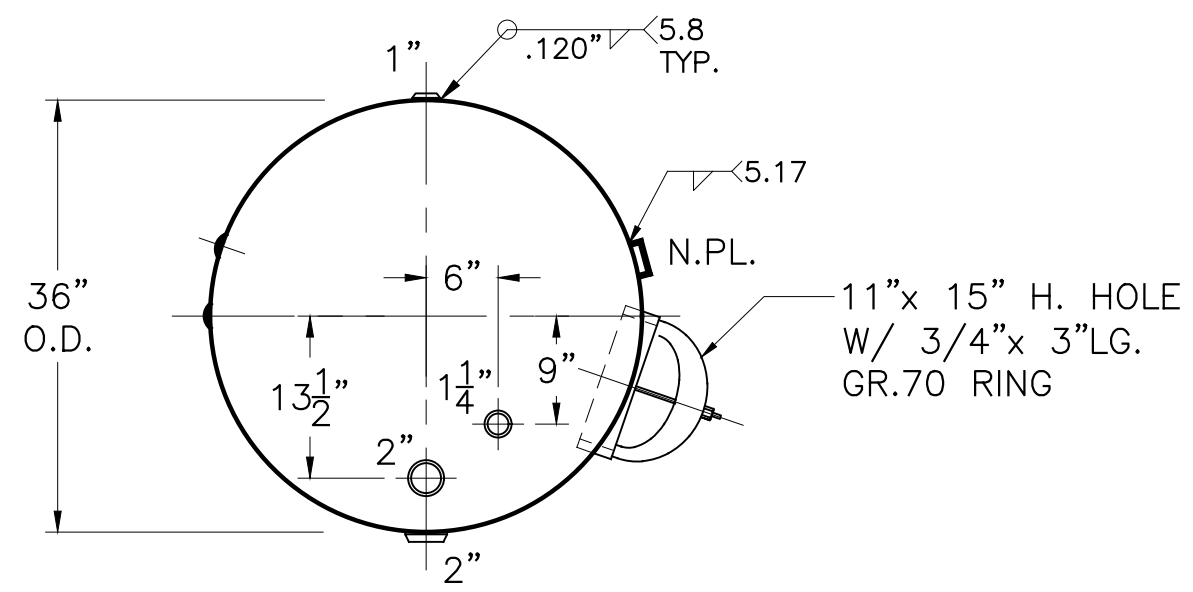


SOLAR FEET PER:  
 S-36-490-H-1C  
 NO GUSSETS



**VIEW W/O SUPPORTS**

NOTE: 1) INSTALL (2) 1 5/16"x 30" LG. RIGID MAG. ANODES.  
 2) HYDRO @ 240 PSIG. MIN.  
 3) 4-1-04 PROOF TEST.

|                                |                         |   |                 |
|--------------------------------|-------------------------|---|-----------------|
| SHELL / HEADS                  | .189" SA-414-G 2:1 S.E. | GS-36-400-H                                       | REV. 8-1-13     |
|                                | JOGGLE                  |   | DATE: 5-15-90   |
|                                | .164" SA-414-G          | FOR: HANSON STANDARD                              |                 |
|                                |                         | HORIZ. HOT WATER TANK                             |                 |
|                                |                         | SURFACE AREA = 82.2 SQ. FT.                       |                 |
|                                |                         | INSIDE: GLASS LINED                               |                 |
| M.A.W.P. 160 PSIG. @ 210 °F    |                         | OUTSIDE: PRIME                                    |                 |
| ASME SECTION IV 2010 ADD. 2011 |                         | CAD-"B" UNDER "STD"-SERIES                        |                 |
| X-RAY: RT-NO / H.L.W.          |                         | BY: E.S.  | SCALE: 3/4"=12" |
| GALLONS: 400                   | WT. 703 LBS.            | <b>ROY E. HANSON JR. MFG.</b>                     |                 |
| SERIAL NO.                     |                         | 1600 E. WASHINGTON BLVD.<br>LOS ANGELES, CA 90021 |                 |