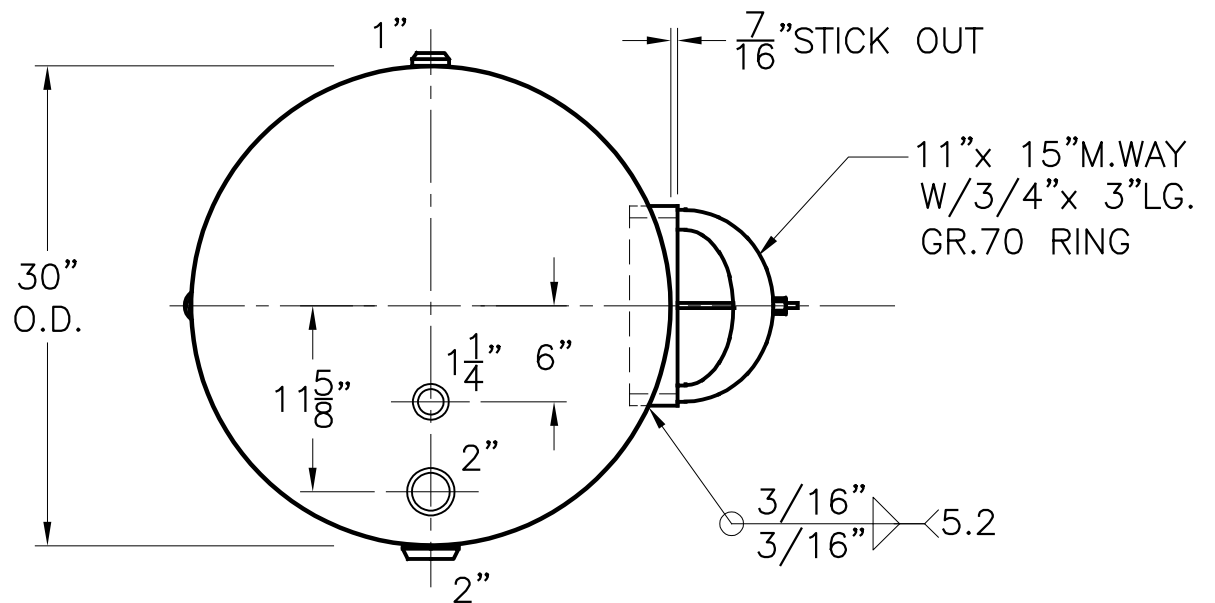


- 3) SHIP LOOSE W/(2) 1 5/16" x 24" LG. RIGID MAG. ANODES.
- 2) 4-1-04 PROOF TEST.

NOTE: 1) HYDRO @ 240 PSIG.



**VIEW W/OUT SUPT'S**

SHELL/ HEADS	.166" SA-414-G 2:1 S.E.	GS-30-270-H	REV. 9-16-04
	JOGGLE		DATE: 5-14-90
	.165" SA-414-G	FOR: HANSON STANDARD	
		HORIZ. HOT WATER TANK	
M.A.W.P. 160 PSIG. @ 210 °F		SURFACE AREA = 66.3 SQ. FT.	
ASME. SECTION IV 2001 ADD 2003		INSIDE: GLASS LINED	
X-RAY: RT-NO / H.L.W.		OUTSIDE: PRIME	
GALLONS: 270      WT. 543 LBS.		CAD "B"-SIZE UNDER "STD"-SERIE	
SERIAL NO.		BY: J.G.      SCALE: 1"=12"	
N.B.		<b>ROY E. HANSON JR. MFG.</b>	
		1924 COMPTON AVE. LOS ANGELES, CA 90011	