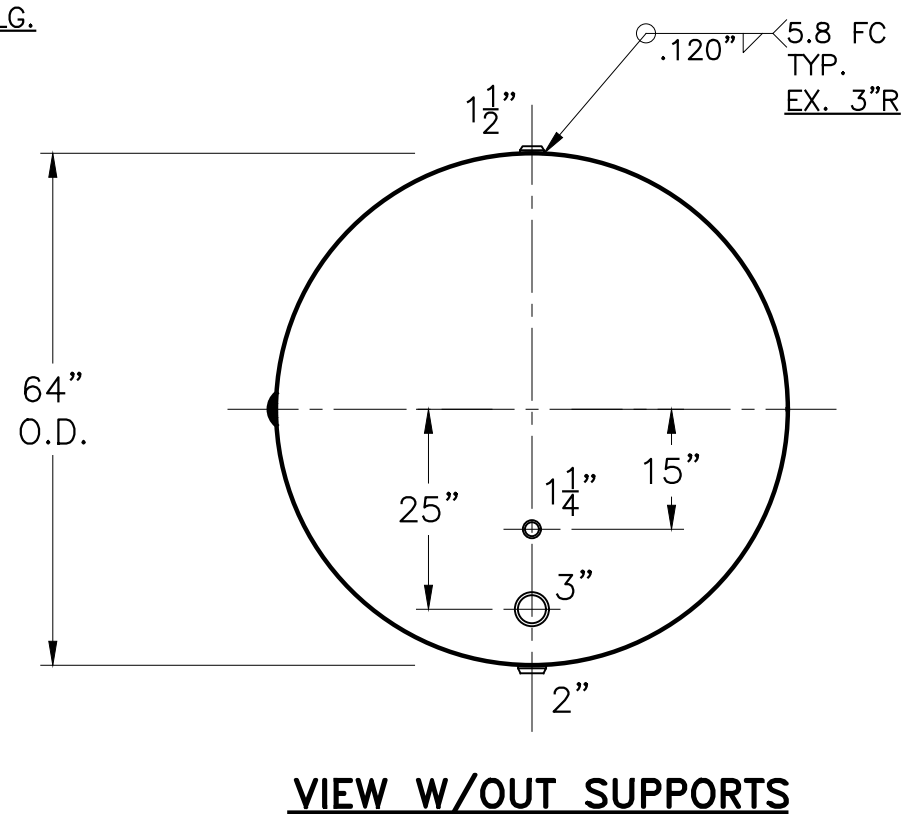


SOLAR FEET PER:  
S-64-2100-H-1C



NOTE: 1) HYDRO @ 188 PSIG. MIN. TO 197 PSIG. MAX.

SHELL / HEADS	LEFT-.248" SA-455 2:1 S.E. (.212" MIN.)	ES-64-1650-H	REV. 6-19-12
	RIGHT-.289" SA-455 2:1 S.E. (.235" MIN.)		DATE: 10-23-89
	.250" SA-455	FOR: HANSON STANDARD HORIZ. HOT WATER TANK SURFACE AREA = 197.0 SQ. FT.	
	M.A.W.P. 125 PSIG. @ 180 °F	INSIDE: EPOXY LINED	
	ASME. SECTION IV 2010 ADD. 2011	OUTSIDE: PRIME	
X-RAY: RT-NO / H.L.W.	CAD-"B" UNDER "STD"-SERIES		
GALLONS: 1650   WT. 2371 LBS.	BY: J.G.   SCALE: 1/2"=12"		
SERIAL NO.	<b>ROY E. HANSON JR. MFG.</b>		
N.B.	1600 E. WASHINGTON BLVD. LOS ANGELES, CA 90021		