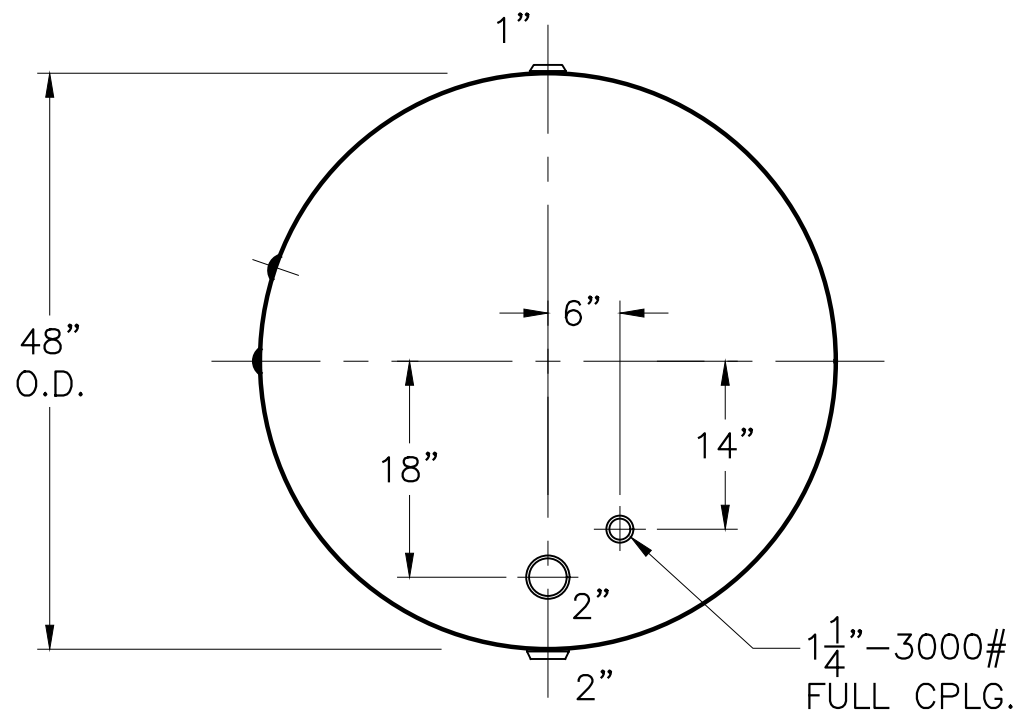


2) SHELL - 4-22-04 PROOF TEST.
NOTE: 1) HYDRO @ 240 PSIG.



VIEW W/O SUPPORTS

SHELL / HEADS	.250" SA-414-G 2:1 S.E.	ES-48-1080-H	REV. 7-25-14
	JOGGLE		DATE: 10-3-89
		FOR: HANSON STANDARD	
		HORIZ. HOT WATER TANK	
	.205" SA-455	SURFACE AREA = 162.1 SQ. FT.	
		INSIDE: EPOXY LINED	
	M.A.W.P. 160 PSIG. @ 180 °F	OUTSIDE: PRIME	
	ASME SECTION IV 2013	CAD-"B" UNDER "STD"-SERIES	
	X-RAY: RT-NO/H.L.W.	BY: E.S.	SCALE: 3/4"=12"
	GALLONS: 1080	WT. 1600 LBS.	ROY E. HANSON JR. MFG. 1600 E. WASHINGTON BLVD. LOS ANGELES, CA 90021
	SERIAL NO.		
	N.B.		