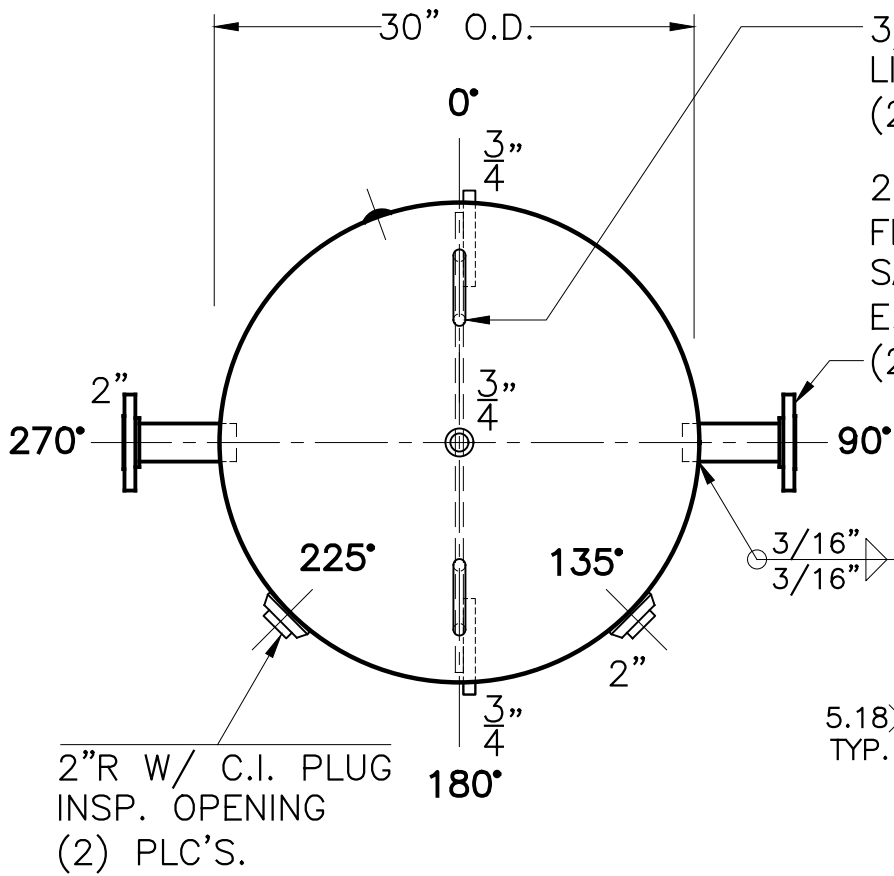
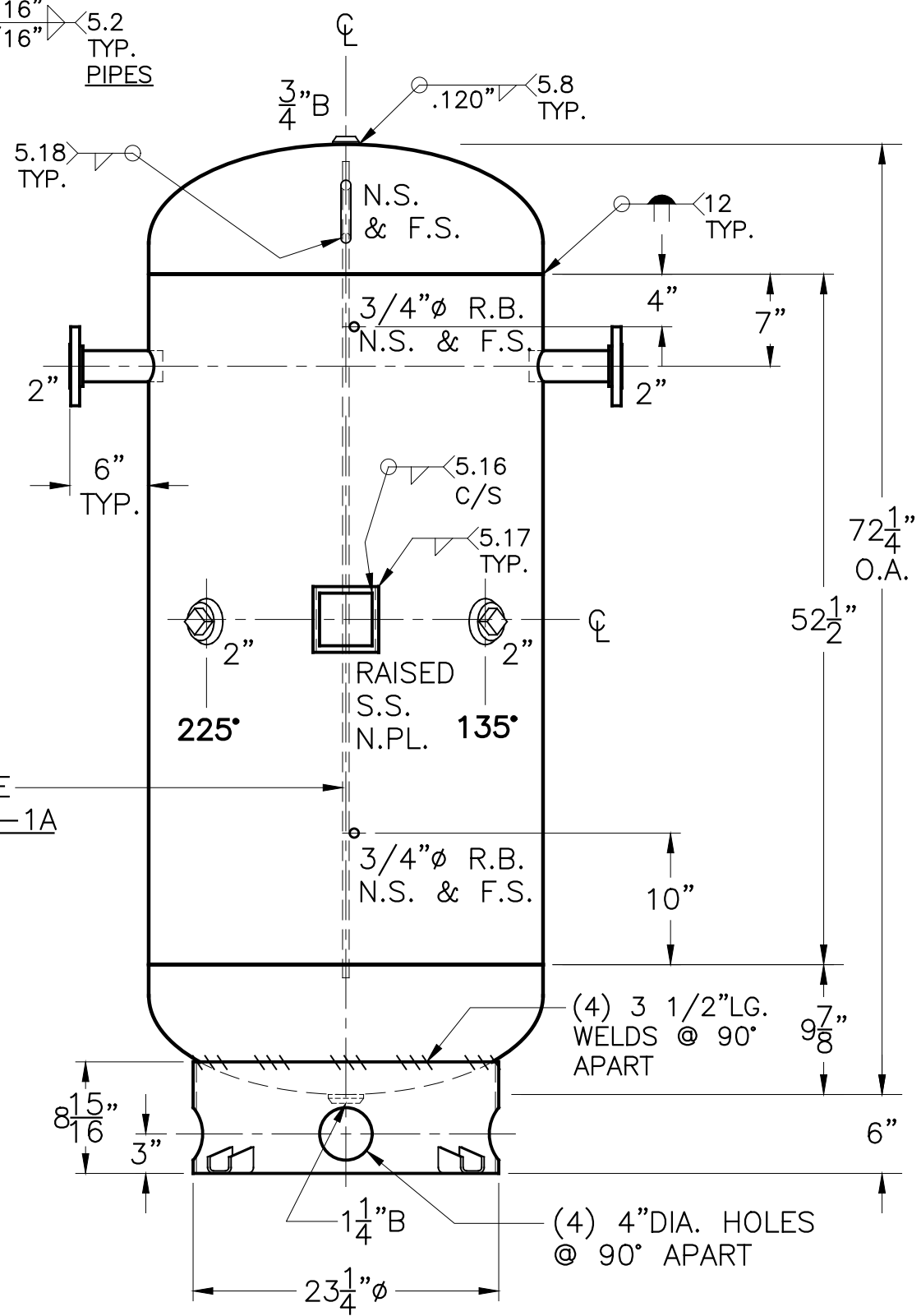


|         |    |
|---------|----|
| DATE    | BY |
| 6-20-17 | JG |



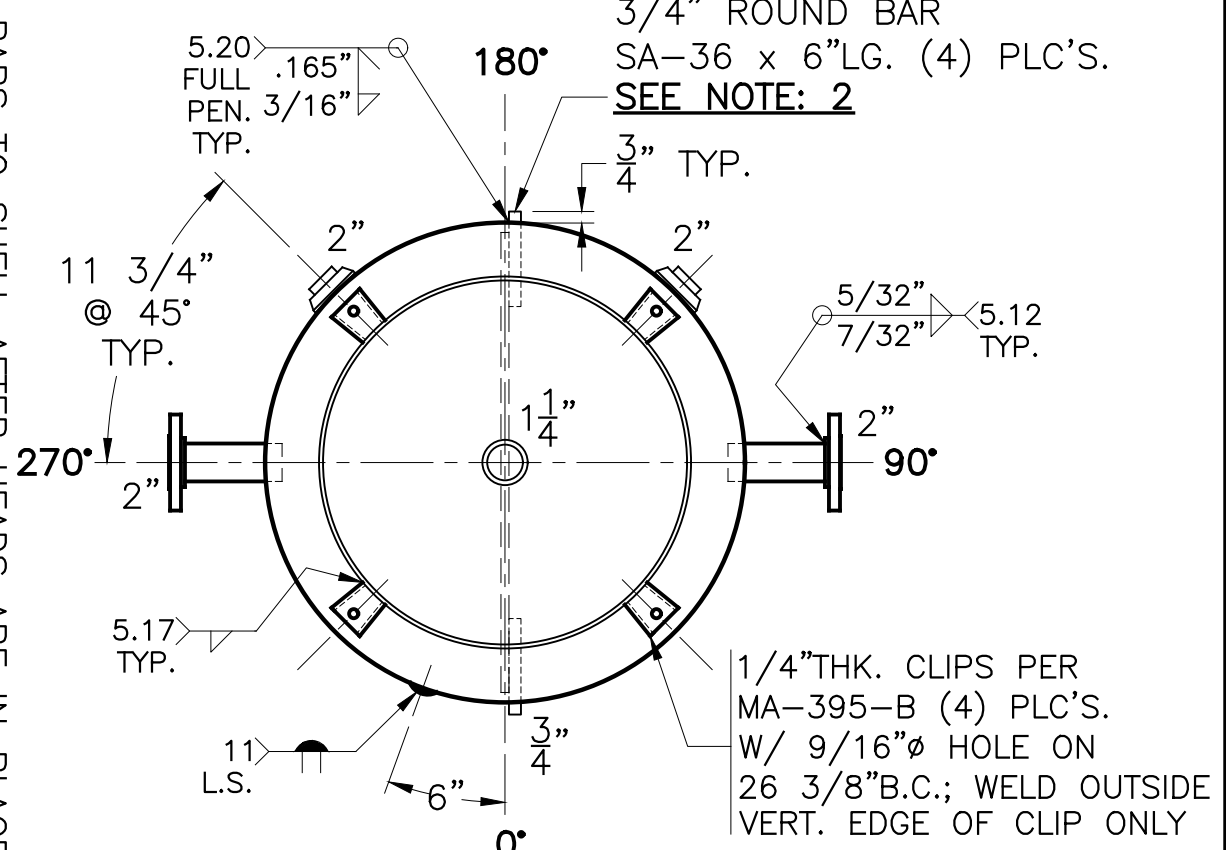
3/4"  $\phi$  SOLAR LIFT LUG  
(2) PLC'S.  
2"-150# R.F.S.O. FLG. W/ SCH. 40 SA-53B E.R.W. PIPE x 7" LG.  
(2) PLC'S.

2" R W/ C.I. PLUG INSP. OPENING  
(2) PLC'S.



.136" THK. BAFFLE  
PER: WP-300-B-1A

3/4" ROUND BAR SA-36 x 6" LG. (4) PLC'S.  
**SEE NOTE: 2**



1/4" THK. CLIPS PER MA-395-B (4) PLC'S. W/ 9/16"  $\phi$  HOLE ON 26 3/8" B.C.; WELD OUTSIDE VERT. EDGE OF CLIP ONLY

NOTE: 1) 2) WELD 3/4"  $\phi$  ROUND BARS TO SHELL AFTER HEADS ARE IN PLACE.  
HYDRO @ 163 PSIG. MIN.

|                               |                             |
|-------------------------------|-----------------------------|
| SHELL / HEADS                 |                             |
| JOGGLE                        | .140" SA-414-G 2:1 S.E.     |
| M.A.W.P.                      | 125 PSIG. @ 200 °F          |
| M.D.M.T.                      | 0 ° F @ 125 PSIG.           |
| ASME SECTION VIII             | DIV. 1, 2015                |
| X-RAY:                        | RT-NO                       |
| GALLONS:                      | 200                         |
| SERIAL NO.                    | WT. 522 LBS.                |
| N.B.                          |                             |
| <b>WP-300-B</b>               |                             |
| FOR:                          | VERT. CHILLED WATER TANK    |
|                               | SURFACE AREA = 51.0 SQ. FT. |
|                               | UW-21 (b)                   |
|                               | INSIDE: UNPAINTED           |
|                               | OUTSIDE: PRIME              |
| BY: J.G./B.C.                 | SCALE: 1"=12"               |
| <b>ROY E. HANSON JR. MFG.</b> |                             |
| LOS ANGELES, CA 90021         |                             |
| REV.                          | DATE: 6-20-17               |