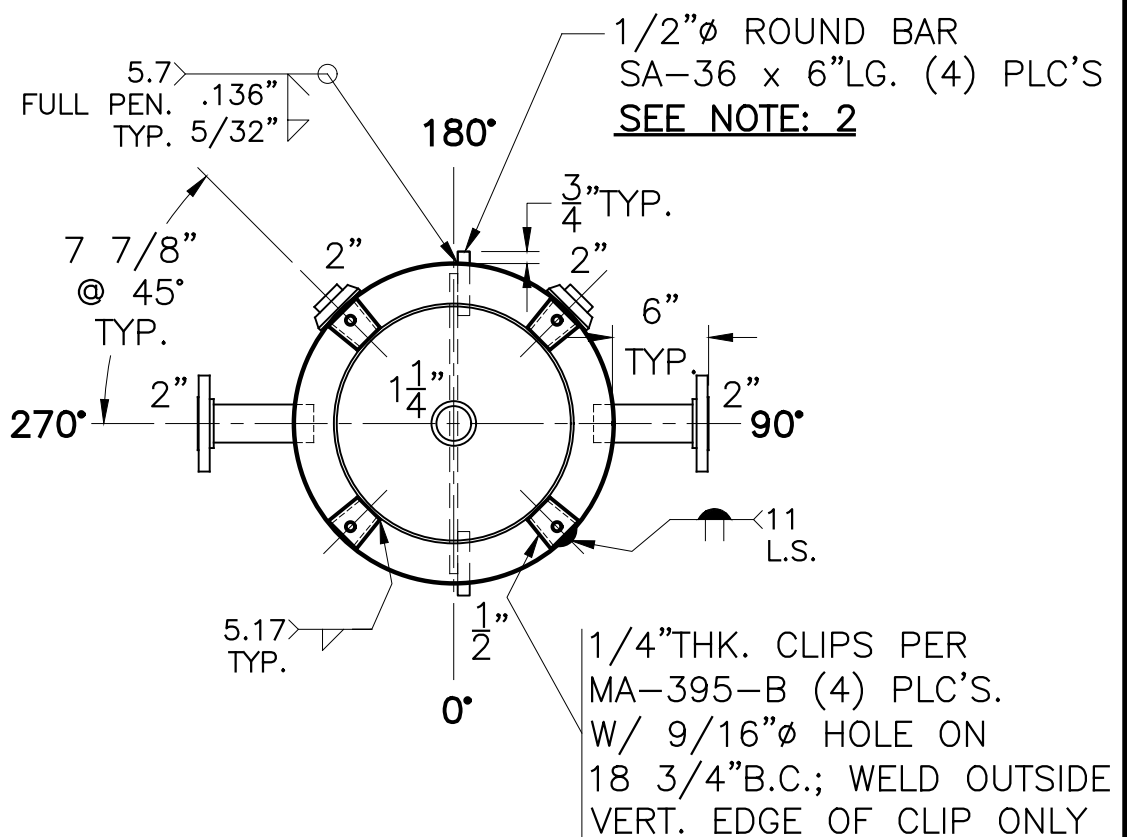
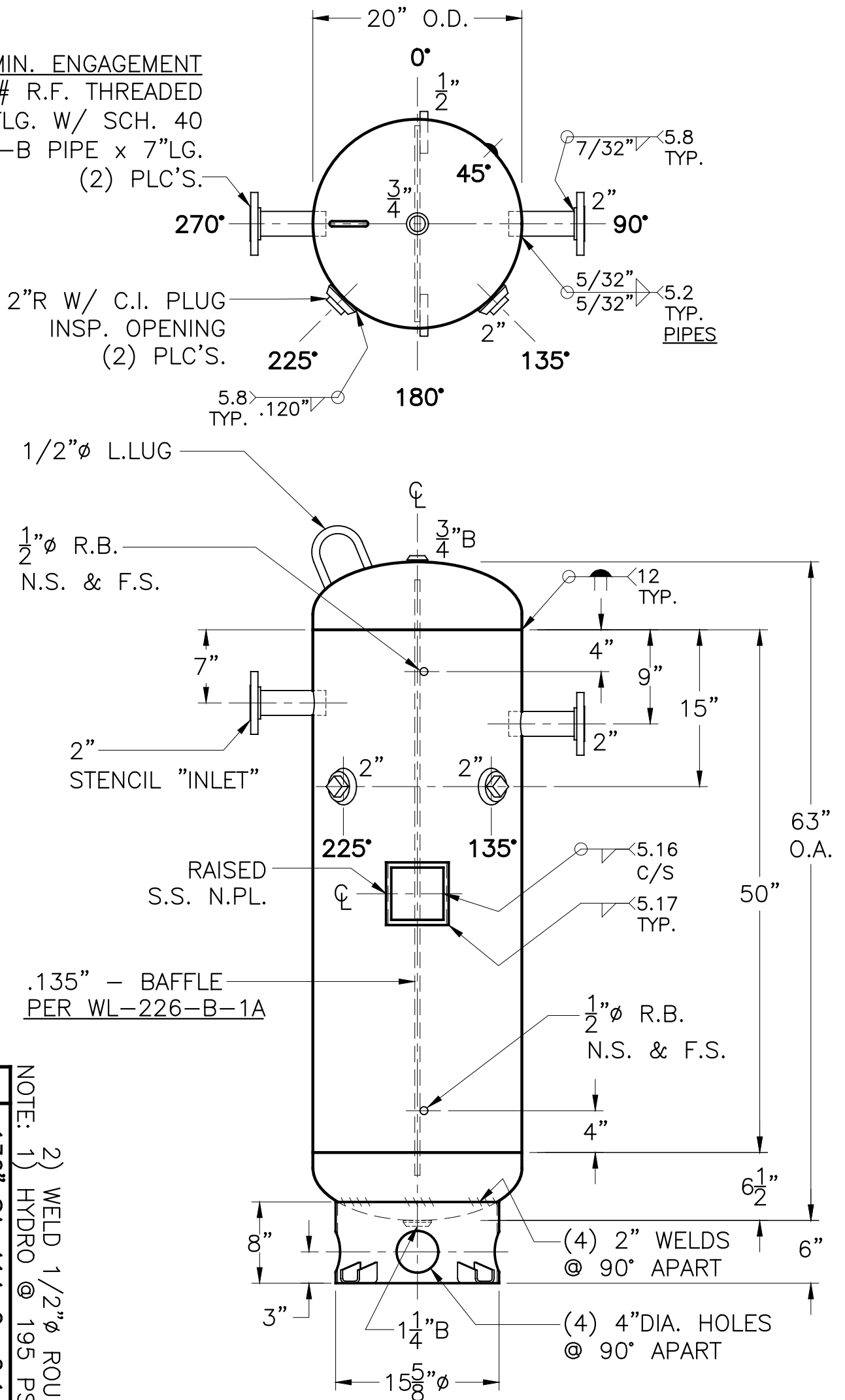


DATE	BY
1-30-17	JG

8 THREAD MIN. ENGAGEMENT  
 2"-150# R.F. THREADED  
 FLG. W/ SCH. 40  
 SA-106-B PIPE x 7"LG.  
 (2) PLC'S.



NOTE: 1) HYDRO @ 195 PSIG. MIN.  
 2) WELD 1/2" ROUND BARS TO SHELL AFTER HEADS ARE IN PLACE.

SHELL / HEADS	
JOGGLE	.136" SA-414-G 2:1 S.E.
M.A.W.P.	150 PSIG. @ 200 °F
M.D.M.T.	-20 °F @ 150 PSIG.
ASME SECTION VIII DIV. 1, 2015	
X-RAY:	RT-NO
GALLONS:	80
SERIAL NO.	WT. 215 LBS.
N.B.	
FOR:	WP-169-B
REV:	DATE: 1-30-17
VERT. CHILLED WATER TANK	
SURFACE AREA = 29.2 SQ. FT.	
INSIDE:	UNPAINTED
OUTSIDE:	S. BLAST, INORGANIC
	ZINC PRIME & R-16
BY: E.S. / R.V.	SCALE: 1"=12"
<b>ROY E. HANSON JR. MFG.</b>	
LOS ANGELES, CA 90011	