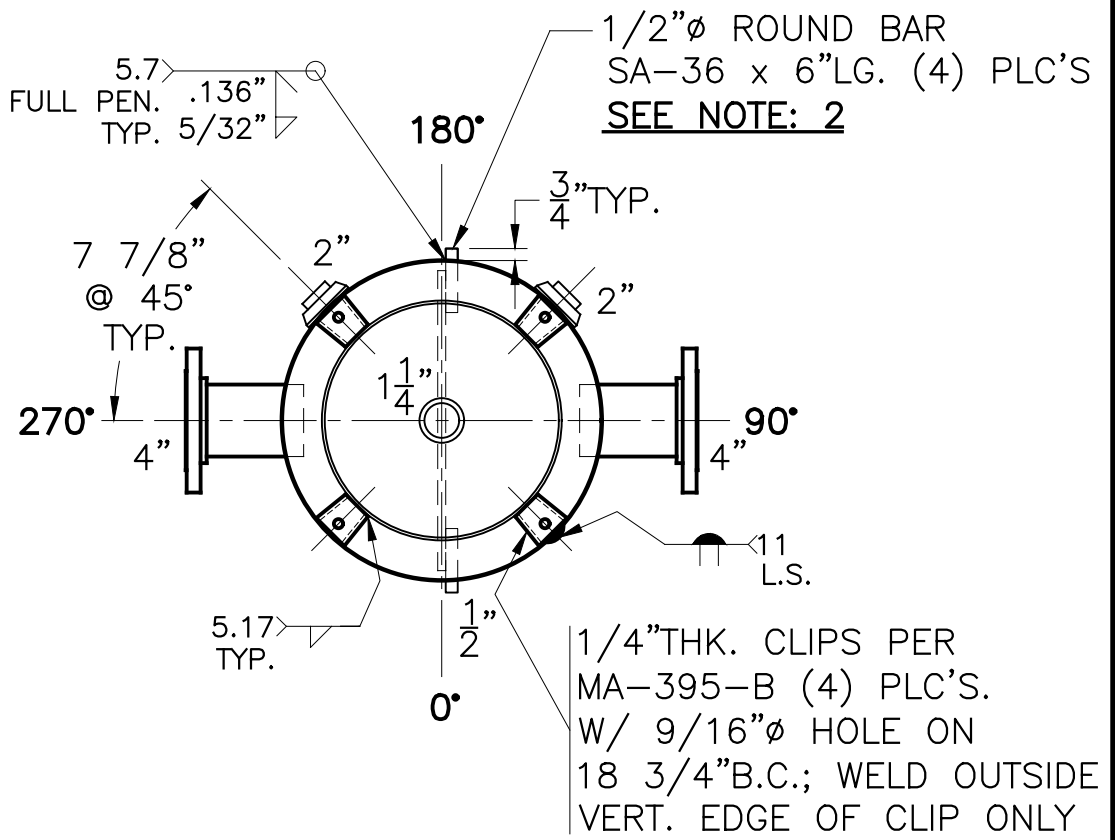
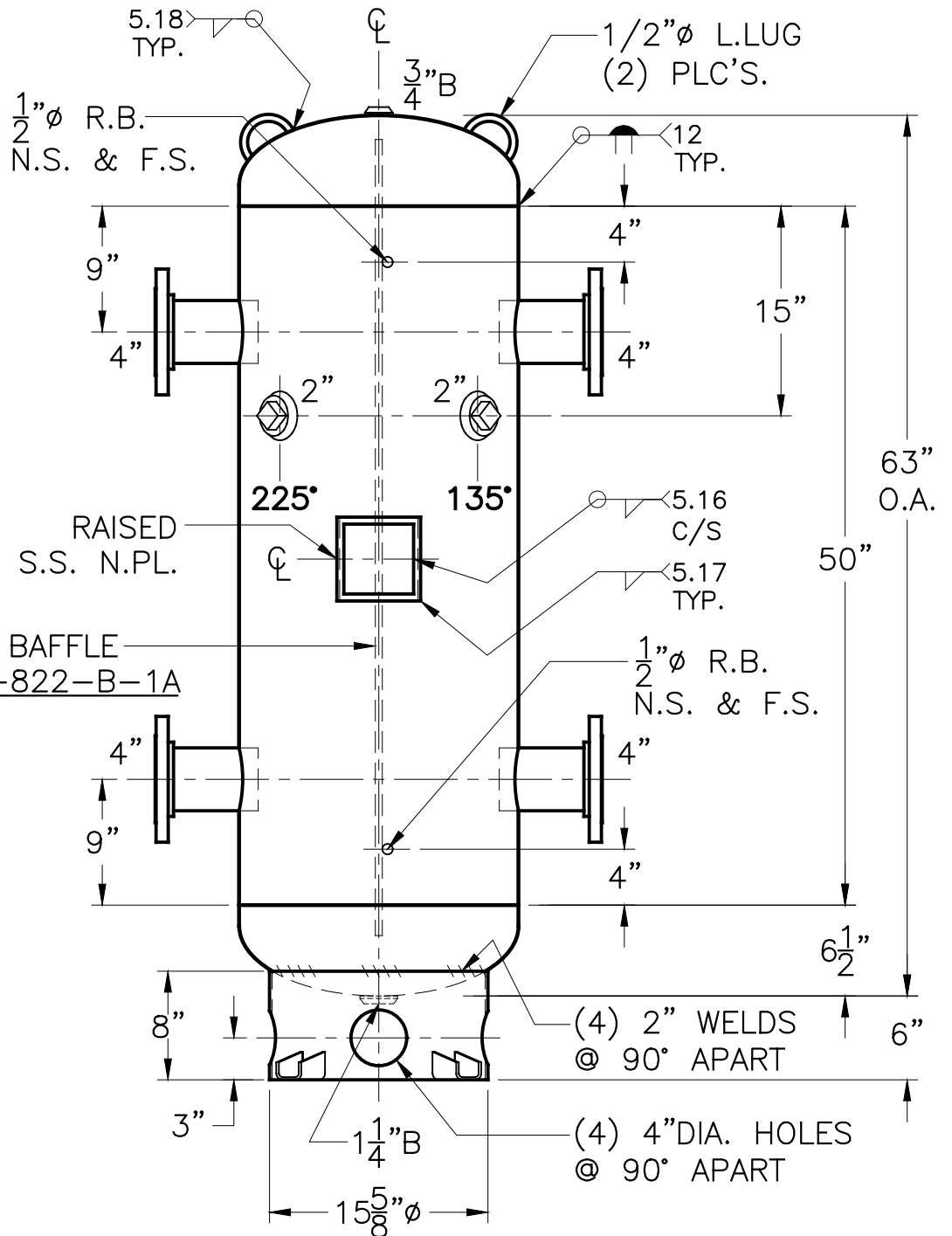
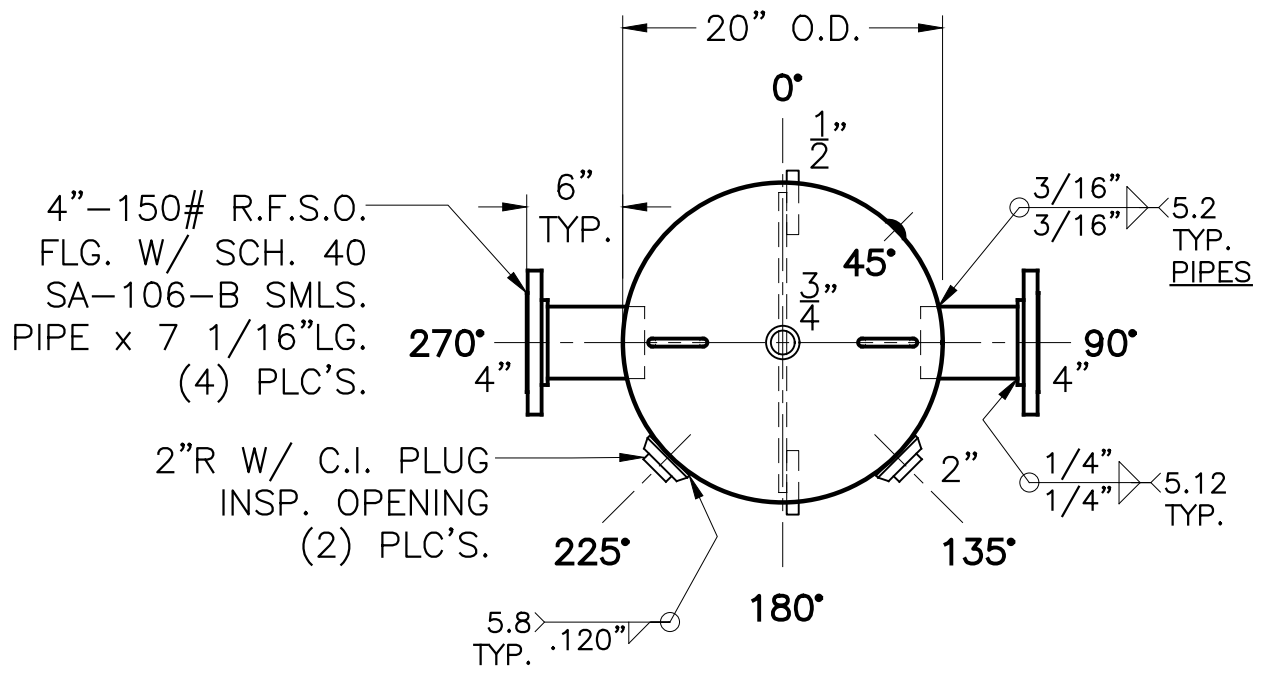


DATE	BY



NOTE: 1) HYDRO @ 195 PSIG. MIN.
 2) WELD 1/2" Ø ROUND BARS TO SHELL AFTER HEADS ARE IN PLACE.

SHELL / HEADS	
JOGGLE	.136" SA-414-G 2:1 S.E.
M.A.W.P.	150 PSIG. @ 200 °F
M.D.M.T.	-20 °F @ 150 PSIG.
ASME SECTION VIII DIV. 1, 2015	
X-RAY:	RT-NO
GALLONS:	80
WT.	281 LBS.
SERIAL NO.	
N.B.	
WO-822-B	
FOR:	VERT. CHILLED WATER TANK
	SURFACE AREA = 29.2 SQ. FT.
	UW-21(b)
	INSIDE: UNPAINTED
OUTSIDE:	PRIME
BY: E.S. / B.C.	SCALE: 1"=12"
ROY E. HANSON JR. MFG.	
LOS ANGELES, CA 90011	
REV.	DATE: 1-19-16