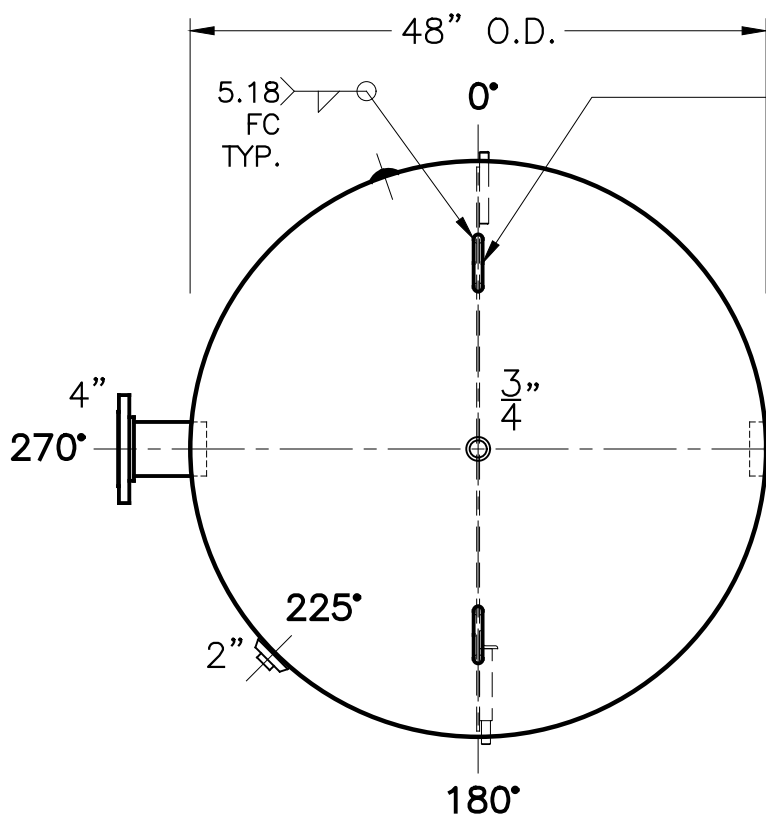


DATE	BY
4-13-15	JG



48" O.D.

3/4"  $\phi$  SOLAR L.LUG (2) PLC'S.

5.18 FC TYP.

1/4"  $\phi$  11/32" 5.12 FC TYP.

4" 270°

3/4" 0°

4" 90°

1/4"  $\phi$  1/4" 5.2 FC TYP. PIPES

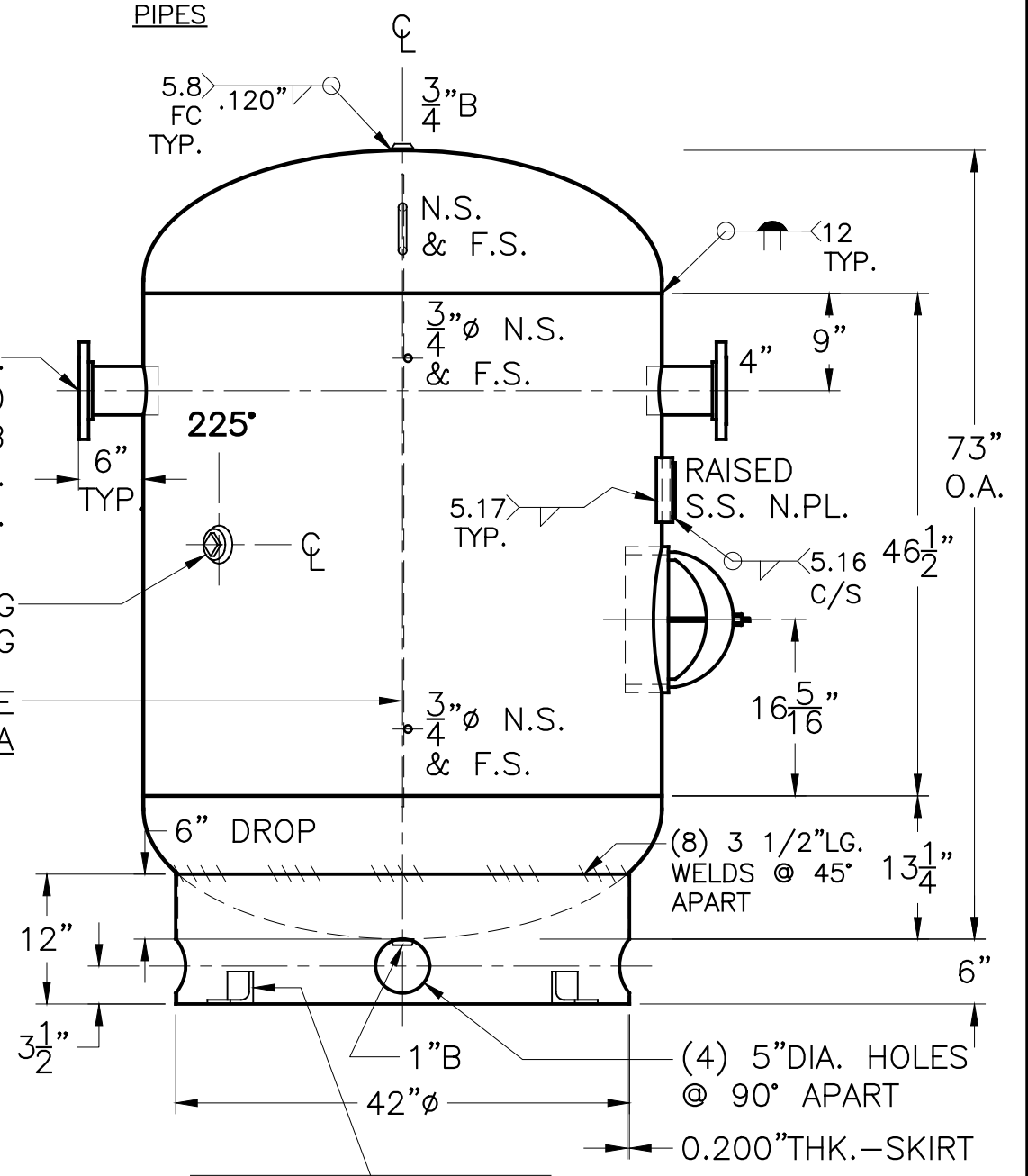
225°

2" 180°

4"-150# R.F.S.O. FLG. W/ SCH. 40 SA-106-B PIPE x 7 1/16" LG. (2) PLC'S.

2"B W/ C.I. PLUG INSP. OPENING

.136" THK. - INT. BAFFLE PER: W0-549-B-1A



73" O.A.

12" TYP.

9"

4" RAISED S.S. N.PL.

5.17 TYP.

5.16 C/S

46 1/2"

16 5/16"

13 1/4"

6"

6" DROP

1" B

42"  $\phi$

(4) 5" DIA. HOLES @ 90° APART

0.200" THK. - SKIRT

(8) 3 1/2" LG. WELDS @ 45° APART

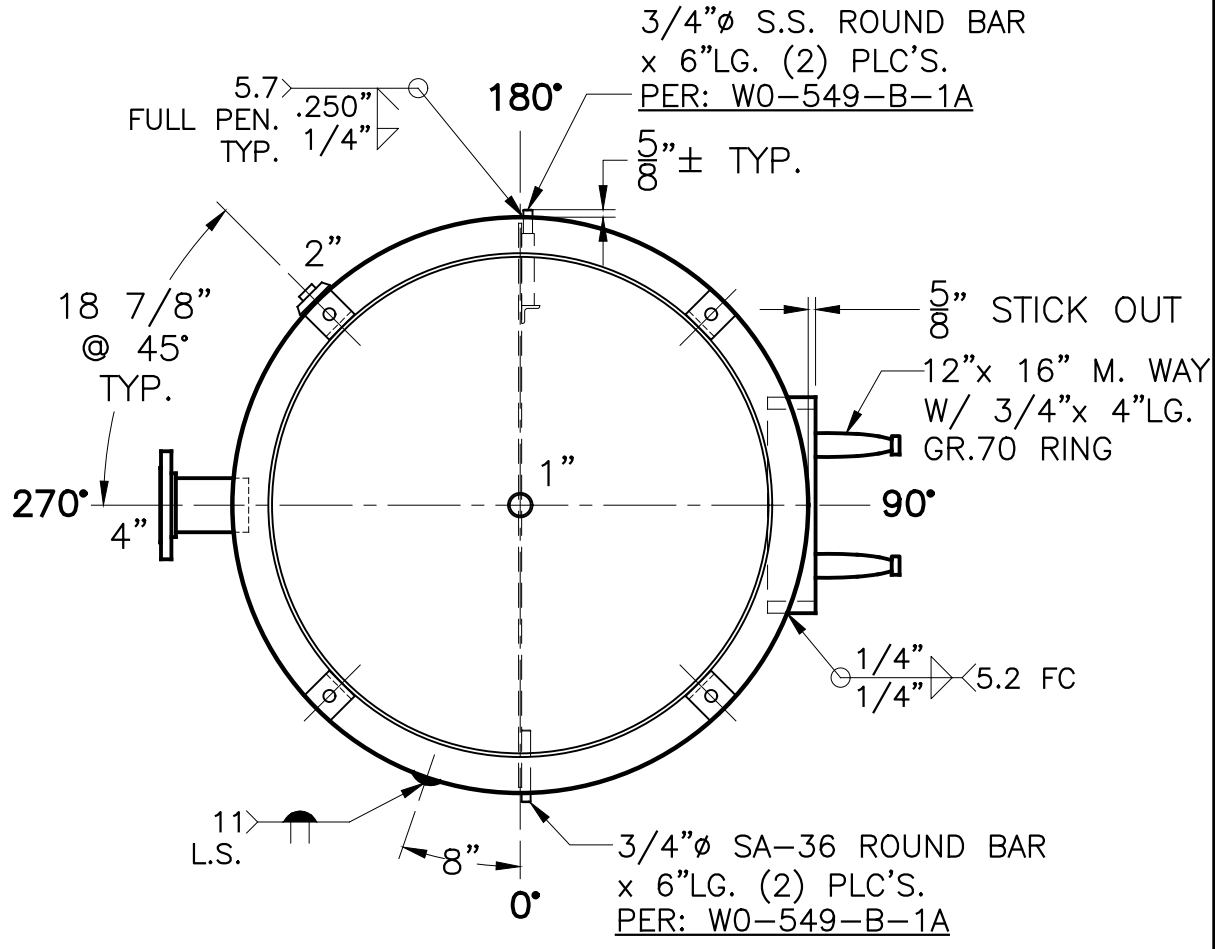
(4) 3" x 3" x 3/8" THK. x 3" LG. ANGLE CLIPS W/ 3/4"  $\phi$  HOLE ON 45"  $\phi$  B.C.

SHELL / HEADS	
JOGGLED	.250" SA-455 2:1 S.E.
M.A.W.P.	125 PSIG. @ 200 °F
M.D.M.T.	+20 °F @ 125 PSIG.
ASME SECTION	VIII DIV. 1, 2013
X-RAY:	RT-NO
GALLONS:	500
SERIAL NO.	WT. 1482 LBS.
N.B.	

NOTE: 1) WELD 3/4"  $\phi$  ROUND BARS TO SHELL AFTER HEADS ARE IN PLACE.

2) HYDRO @ 163 PSIG. MIN.

FOR:	WO-549-B
REV.	DATE: 4-13-15
VERT. CHILLED WATER TANK	
SURFACE AREA = 85.9 SQ. FT.	
INSIDE:	UNPAINTED
OUTSIDE:	SHOP PRIME
BY: E.S. / C.J.	SCALE: 3/4" = 12"
ROY E. HANSON JR. MFG.	
1600 E. WASHINGTON BLVD.	
LOS ANGELES, CA 90021	



3/4"  $\phi$  S.S. ROUND BAR x 6" LG. (2) PLC'S. PER: W0-549-B-1A

5.7 FULL PEN. TYP. .250" 1/4"

180°

5/8"  $\pm$  TYP.

5/8" STICK OUT

12" x 16" M. WAY W/ 3/4" x 4" LG. GR.70 RING

5" 90°

1/4"  $\phi$  1/4" 5.2 FC

11 L.S.

8"

0°

3/4"  $\phi$  SA-36 ROUND BAR x 6" LG. (2) PLC'S. PER: W0-549-B-1A

18 7/8" @ 45° TYP.

2" 270°

4" 1"

42"  $\phi$