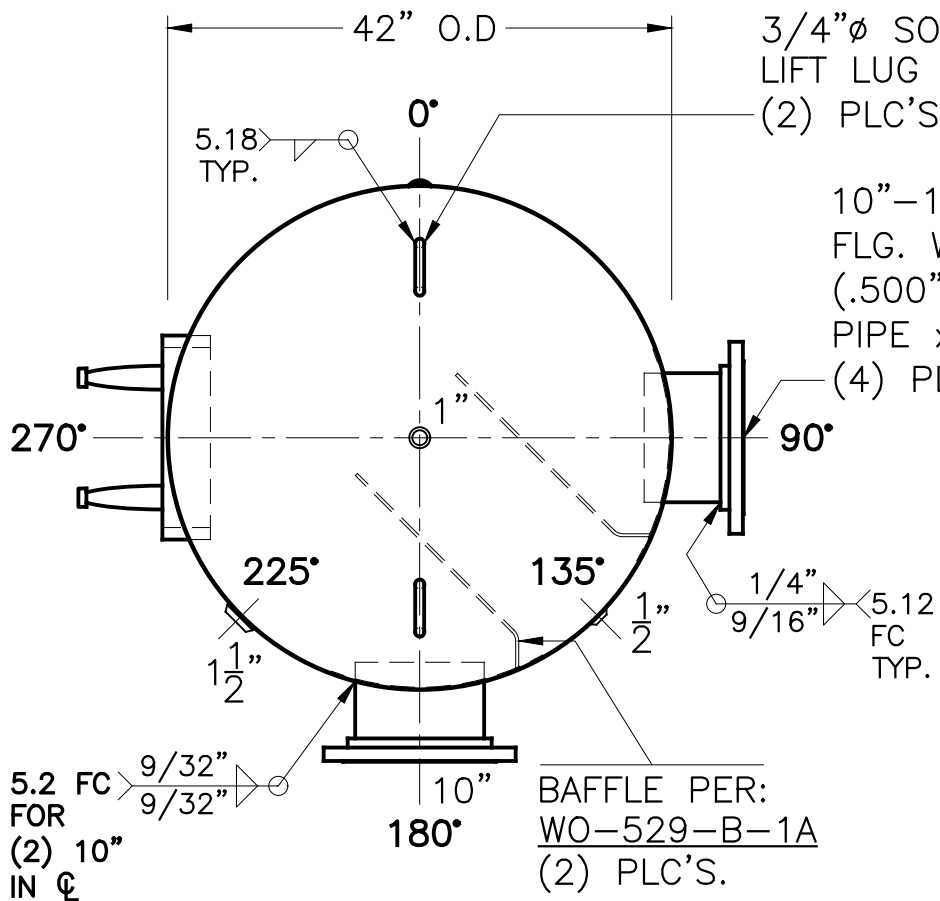
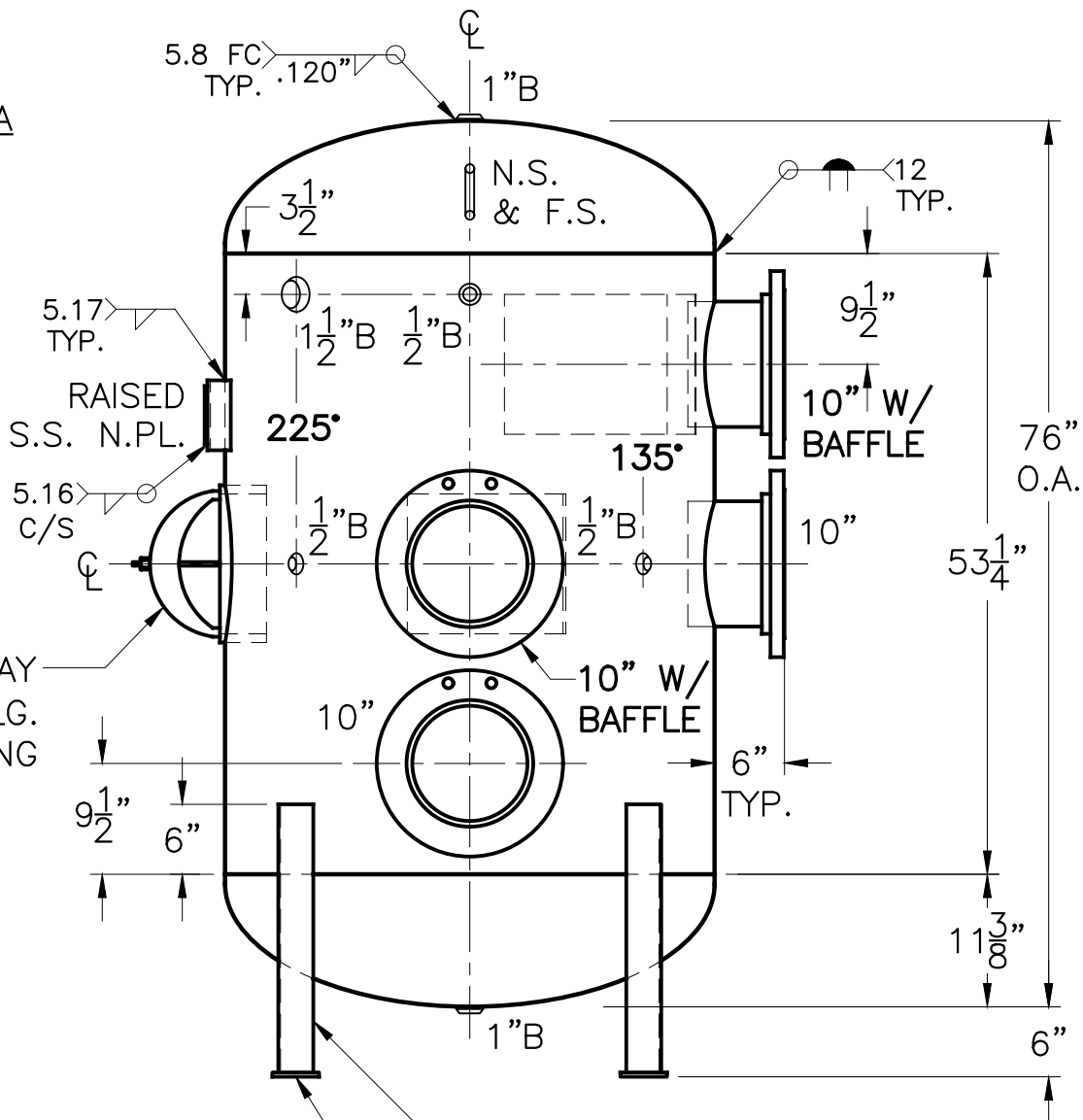


DATE	BY
3-30-15	JG



5.2 FC FOR (2) 10" IN Ø

BAFFLE PER: WO-529-B-1A (2) PLC'S.



12" x 16" M. WAY W/ 3/4" x 4" LG. GR.70 RING

(4) 3" x 3" x 1/4" THK. x 23" LG. ANGLE LEGS
(4) 4" x 4" x 3/8" THK. PAD W/ 7/8" Ø HOLE

NOTE: 1) HYDRO @ 195 PSIG. MIN.
2) INSTALL LOWER AND TOP 10" AFTER G.S. ARE WELDED.

SHELL / HEADS	
JOGGLE	.205" SA-455 2:1 S.E.
M.A.W.P.	150 PSIG. @ 200 °F
M.D.M.T.	0 °F @ 150 PSIG.
ASME. SECTION VIII DIV. 1, 2013	
X-RAY:	RT-NO
GALLONS:	400 WT. 1334 LBS.
SERIAL NO.	
N.B.	

FOR:	
VERT. HOT WATER (BUFFER) TANK	
SURFACE AREA = 76.3 SQ. FT.	
UW-21(b)	
INSIDE:	UNPAINTED
OUTSIDE:	SHOP PRIME
LEG-ZONE	4-15 KM.
BY: E.S. / C.J.	SCALE: 3/4"=12"
ROY E. HANSON JR. MFG.	
1600 E. WASHINGTON BLVD. LOS ANGELES, CA 90021	
REV.	4-20-15
DATE:	3-30-15

