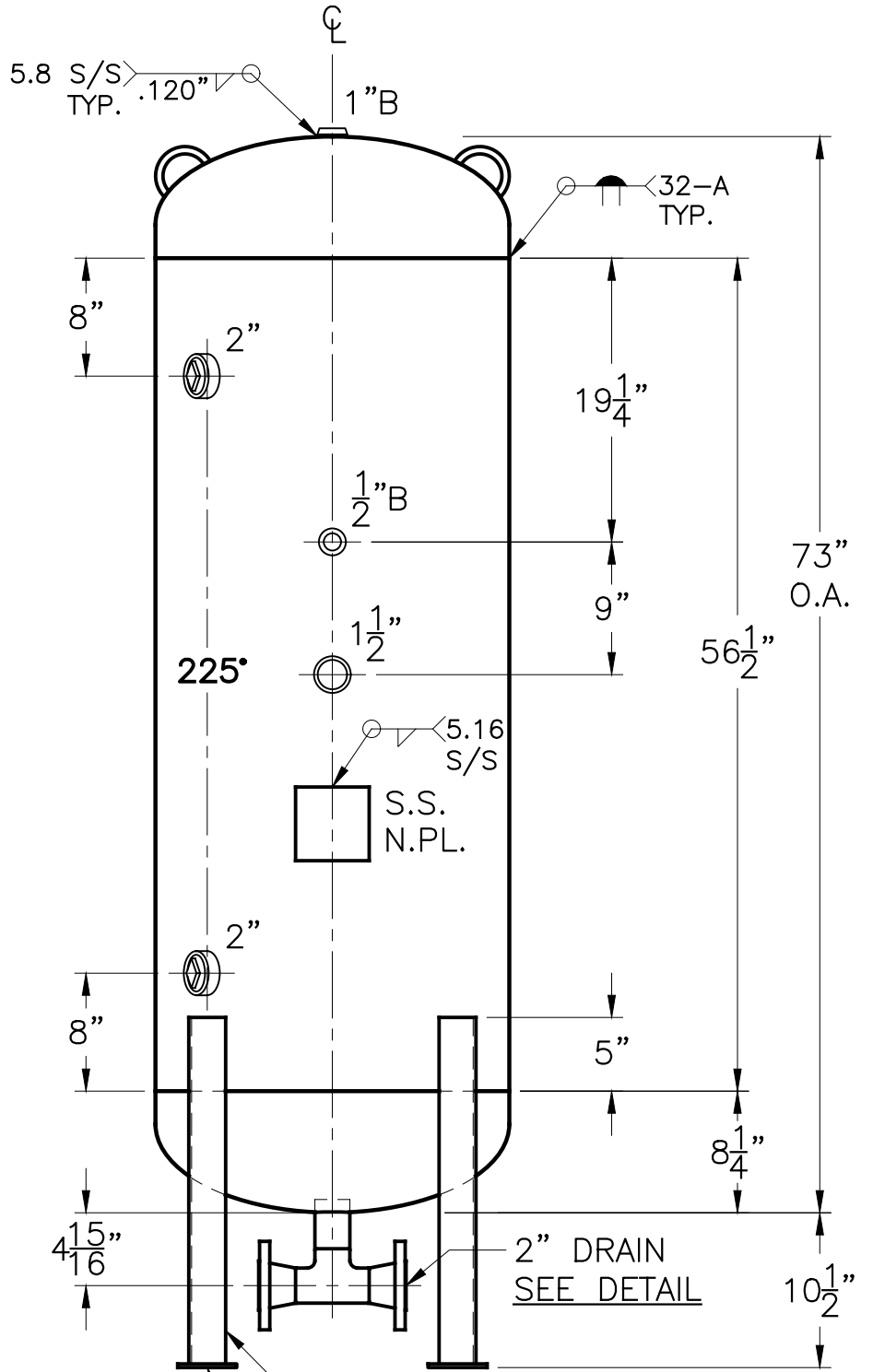
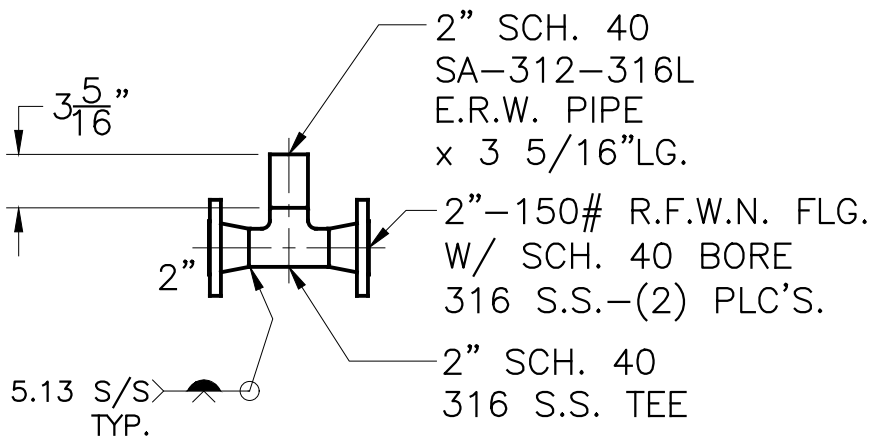
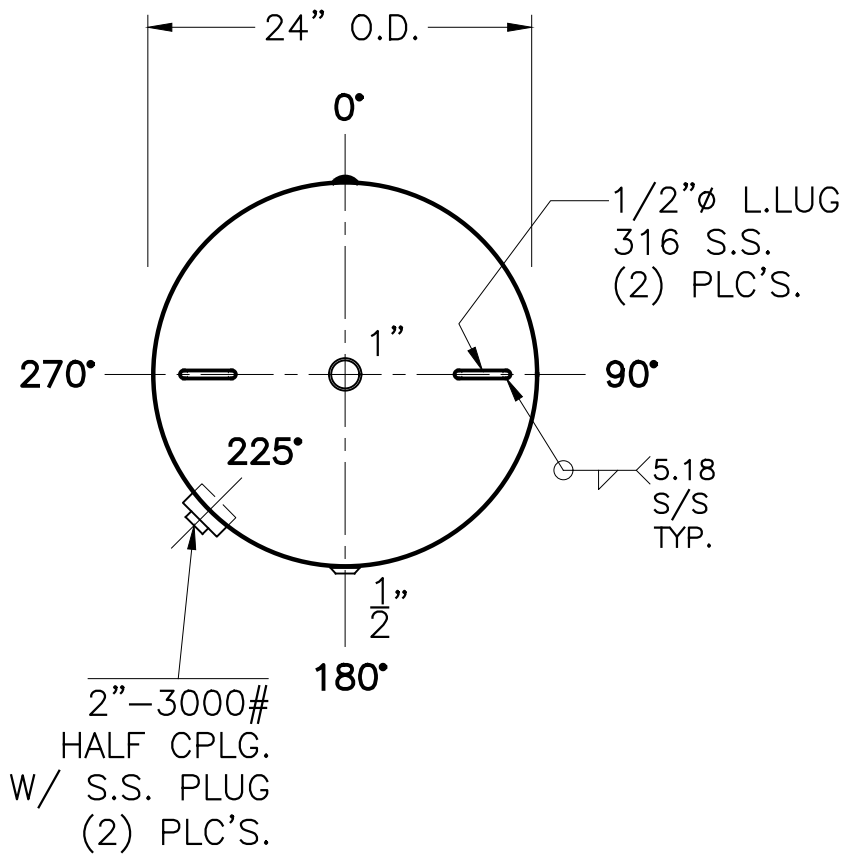
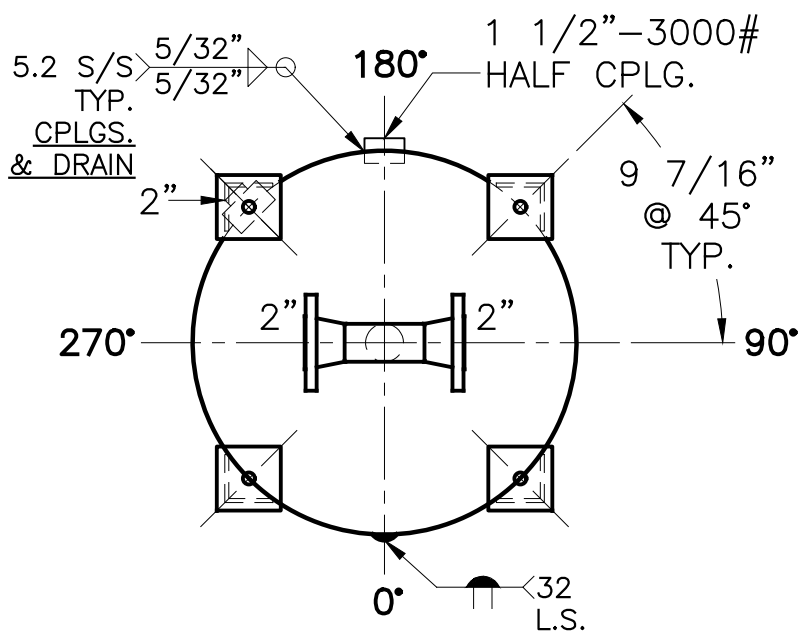


DATE	BY
12-15-14	JG
12-16-14	JG



(4) 2 1/2" x 2 1/2" x 3/16" THK.
x 23 1/2" LG. ANGLE LEGS
316 S.S.

(4) 4" x 4" x 1/4" THK.
PAD W/ 3/4" Ø HOLE
316 S.S.



- NOTE: 1) HYDRO @ 293 PSIG. MIN.
2) ALL FNPT'S & FLGS. SA-182-316 S.S.
3) ALL 316 S.S. CONSTRUCTION
4) NOT FOR CHLORINATED WATER.

SHELL / HEADS	
JOGGLE	.250" SA-240-316L 2:1 S.E.
	.250" SA-240-316L
	LEG-ZONE 1-15 KM.
M.A.W.P.	225 PSIG. @ 200 °F
M.D.M.T.	-20 °F @ 225 PSIG.
ASME SECTION VIII	DIV. 1, 2013
X-RAY:	RT-NO
GALLONS:	130 WT. 493 LBS.
SERIAL NO.	
N.B.	

WO-412-B	REV. 12-16-14
	DATE: 12-15-14
FOR:	VERT. WATER TANK
	CRACKING OF STAINLESS STEEL WATER TANKS, HOWEVER CAUSED, IS NOT A RESPONSIBILITY OF HANSON AND IS EXCLUDED FROM HANSON LIMITED WARRANTY.
	INSIDE: PASSIVATE
	OUTSIDE: BEAD BLAST & PASSIVATE
BY: E.S. / B.C.	SCALE: 1"=12"
ROY E. HANSON JR. MFG.	
	1600 E. WASHINGTON BLVD. LOS ANGELES, CA 90021