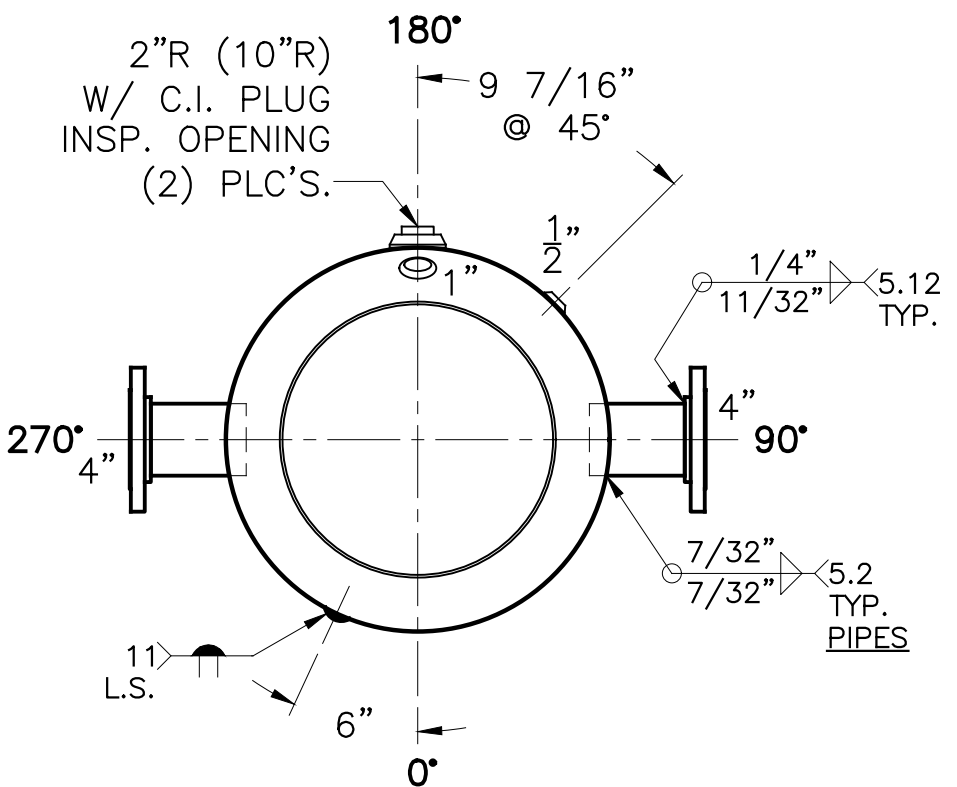
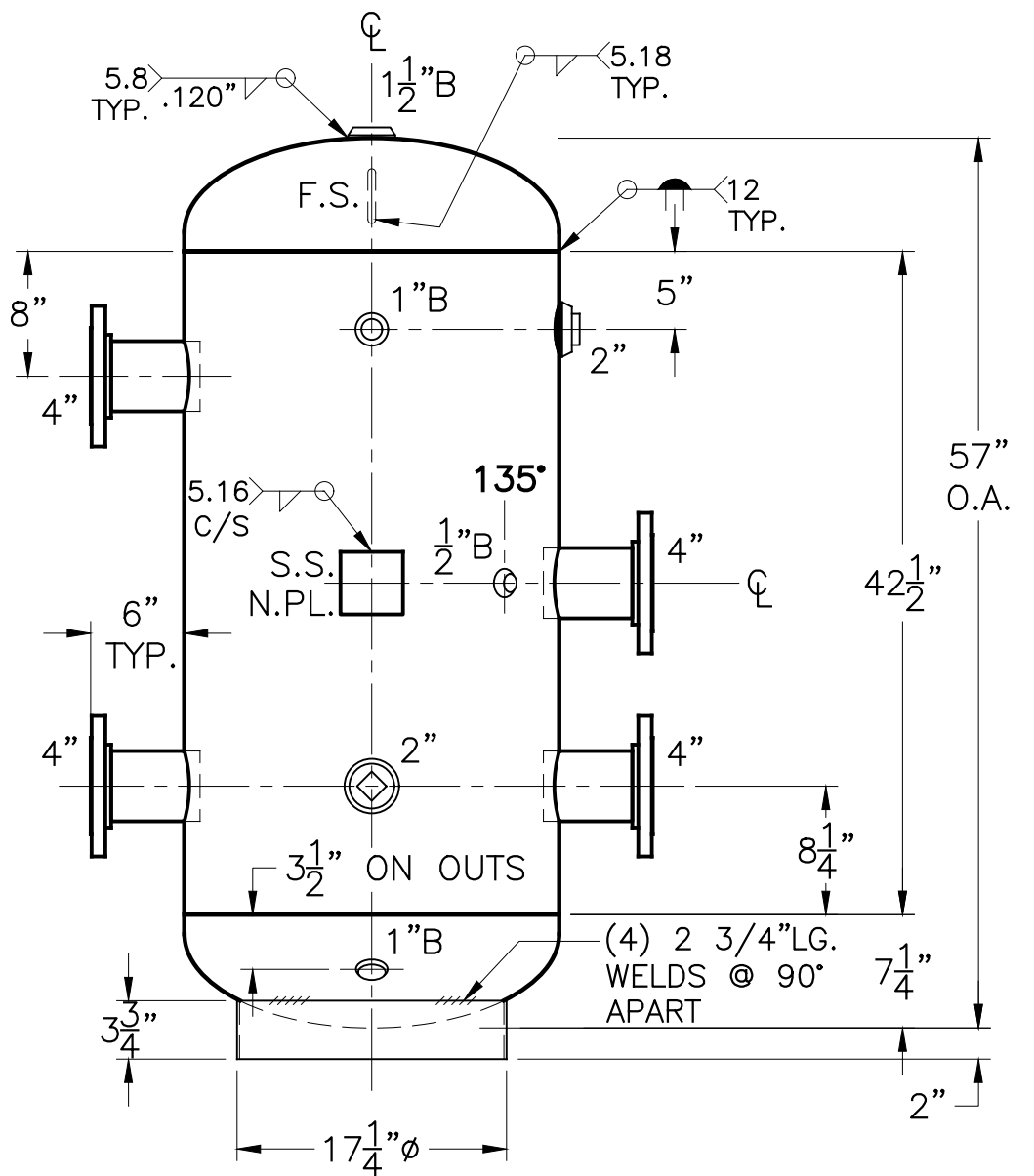
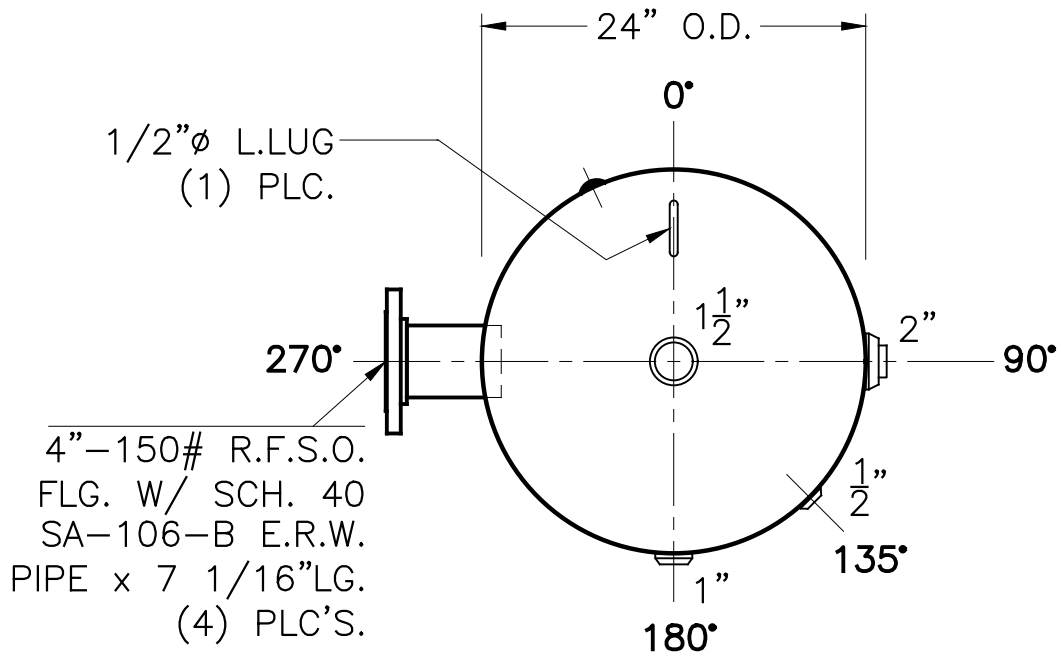


| DATE | BY |
|---------|----|
| 12-1-14 | RH |
| 12-4-14 | JG |
| 12-8-14 | RH |



NOTE: 1) HYDRO @ 163 PSIG. MIN.

| | | | | | |
|-------------------------------|--------------|-----------------|-----|-------------------------|--|
| SHELL / HEADS | | JOGGLE | | .164" SA-414-G 2:1 S.E. | |
| M.A.W.P. | 125 PSIG. @ | 250 °F | | | |
| M.D.M.T. | 0 °F @ | 125 PSIG. | | | |
| ASME SECTION VIII | DIV. 1, 2013 | | | | |
| X-RAY: | RT-NO | | WT. | 387 LBS. | |
| GALLONS: | 104 | | | | |
| SERIAL NO. | | | | | |
| N.B. | | | | | |
| FOR: | | WO-401-B | | | |
| VERT. HOT WATER (BUFFER) TANK | | REV. 12-8-14 | | | |
| SURFACE AREA = 32.8 SQ. FT. | | DATE: 12-1-14 | | | |
| UW-21(b) | | | | | |
| INSIDE: UNPAINTED | | | | | |
| OUTSIDE: SHOP PRIME | | | | | |
| BY: E.S. / C.J. | | SCALE: 1"=12" | | | |
| ROY E. HANSON JR. MFG. | | | | | |
| 1600 E. WAHINGTON BLVD. | | | | | |
| LOS ANGELES, CA 90021 | | | | | |