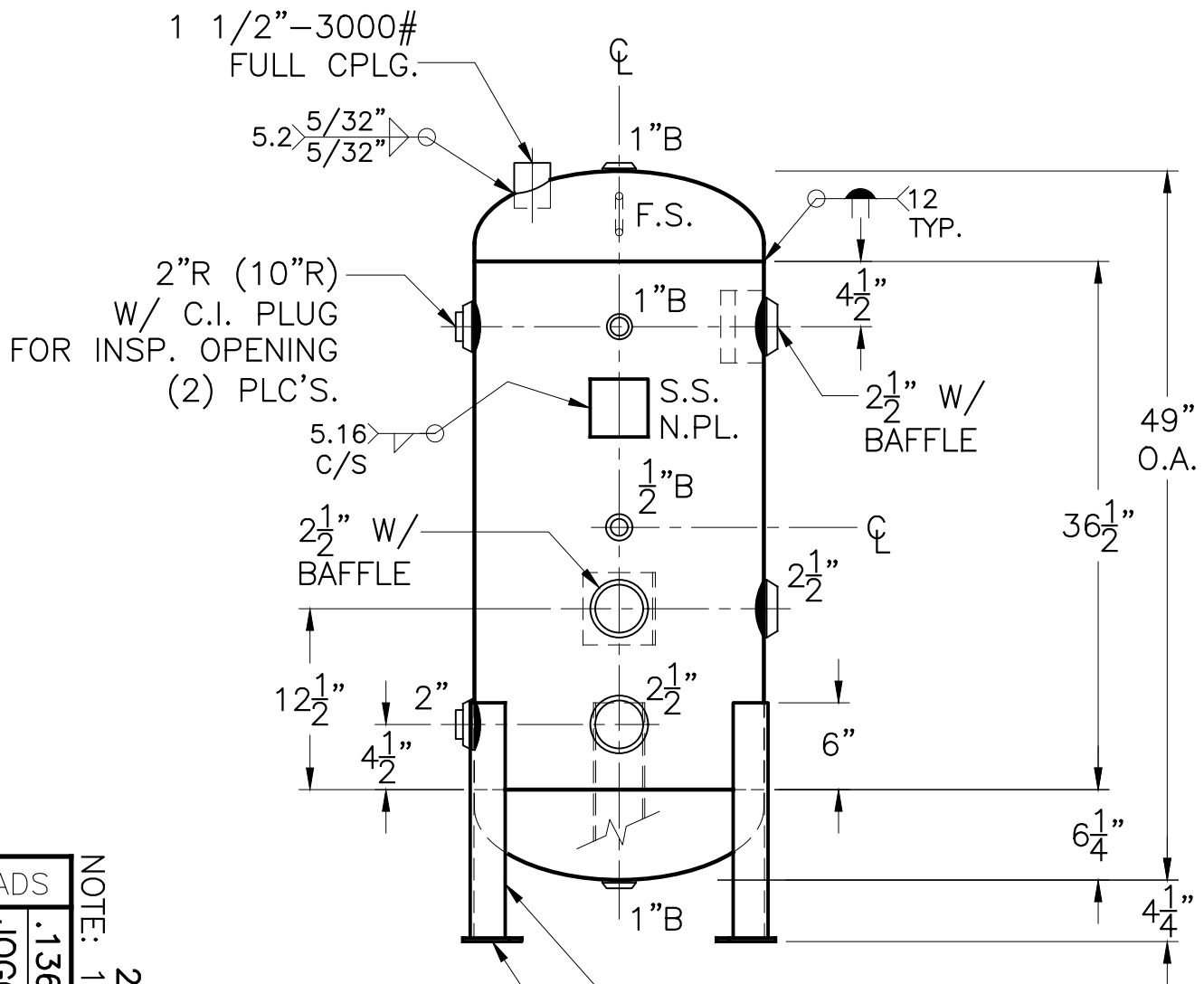
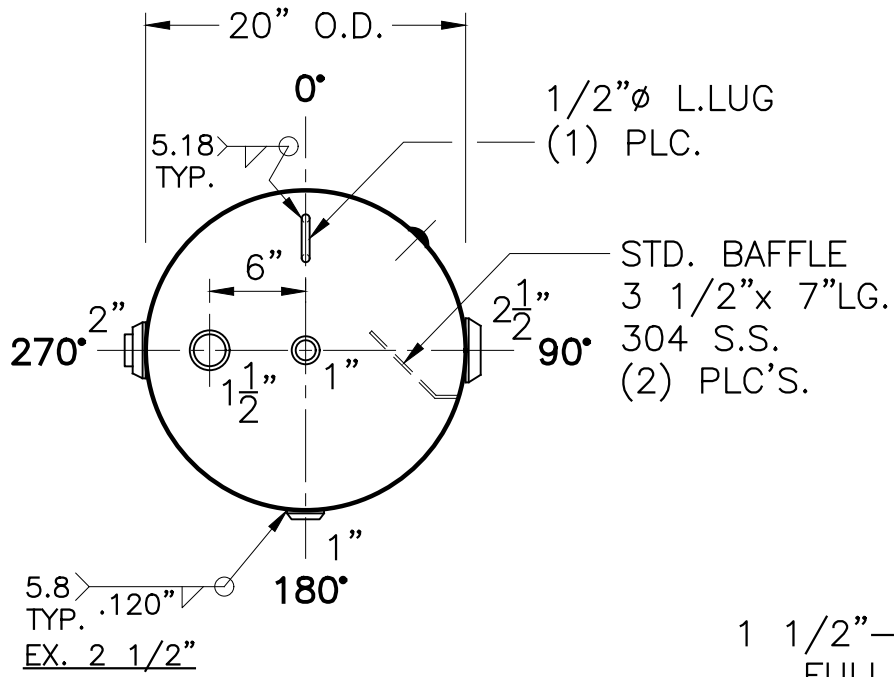
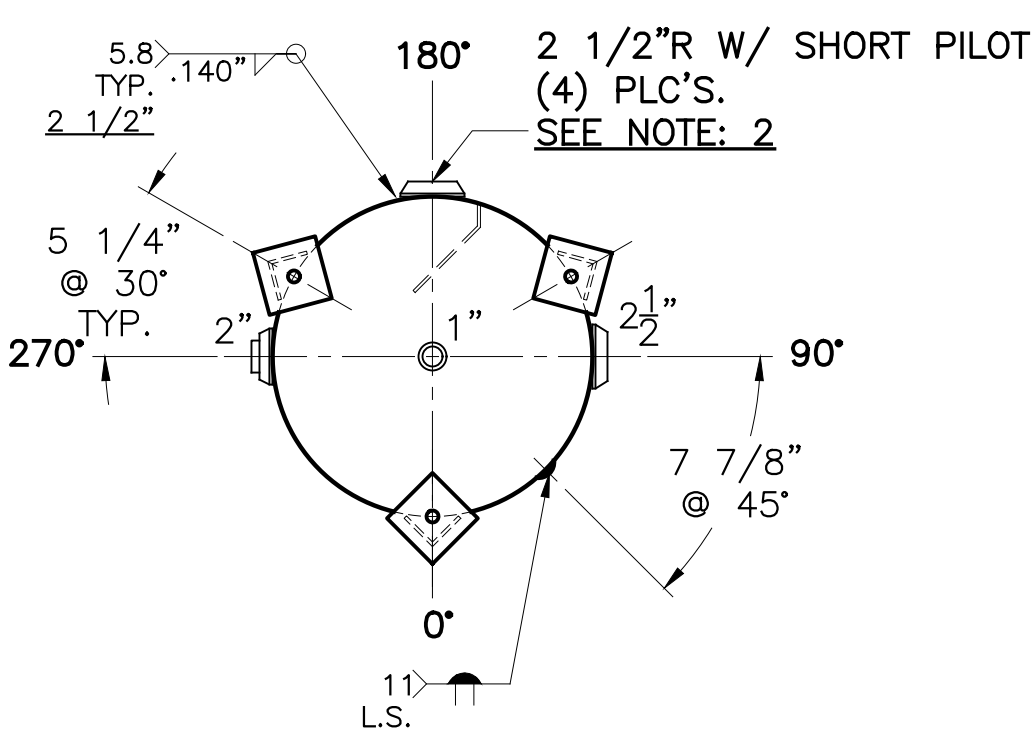


DATE	BY
11-4-14	RH



(3) 2 1/2" x 2 1/2" x 3/16" THK. x 16 1/4" LG. ANGLE LEGS  
 (3) 4" x 4" x 1/4" THK. PADS W/ 3/4" Ø HOLE



NOTE: 1) HYDRO @ 195 PSIG. MIN.  
 2) 2 1/2" R W/ SHORT PILOT - MACHINE TO 3 3/4" O.D.

SHELL / HEADS		JOGGLE		.136" SA-414-G 2:1 S.E.	
M.A.W.P.	150 PSIG. @ 250 °F	.149" SA-414-G		WO-379-B	
M.D.M.T.	-20 °F @ 150 PSIG.			REV. DATE: 11-3-14	
ASME SECTION VIII	DIV. 1, 2013			FOR: VERT. HOT WATER (BUFFER) TANK	
X-RAY:	RT-NO			SURFACE AREA = 23.0 SQ. FT.	
GALLONS:	60	WT. 193 LBS.		INSIDE: UNPAINTED	
SERIAL NO.				OUTSIDE: SHOP PRIMER	
N.B.				LEG-ZONE 4-15 KM.	
				BY: E.S. / R.V. SCALE: 1"=12"	
				ROY E. HANSON JR. MFG.	
				1600 E. WASHINGTON BLVD.	
				LOS ANGELES, CA 90021	