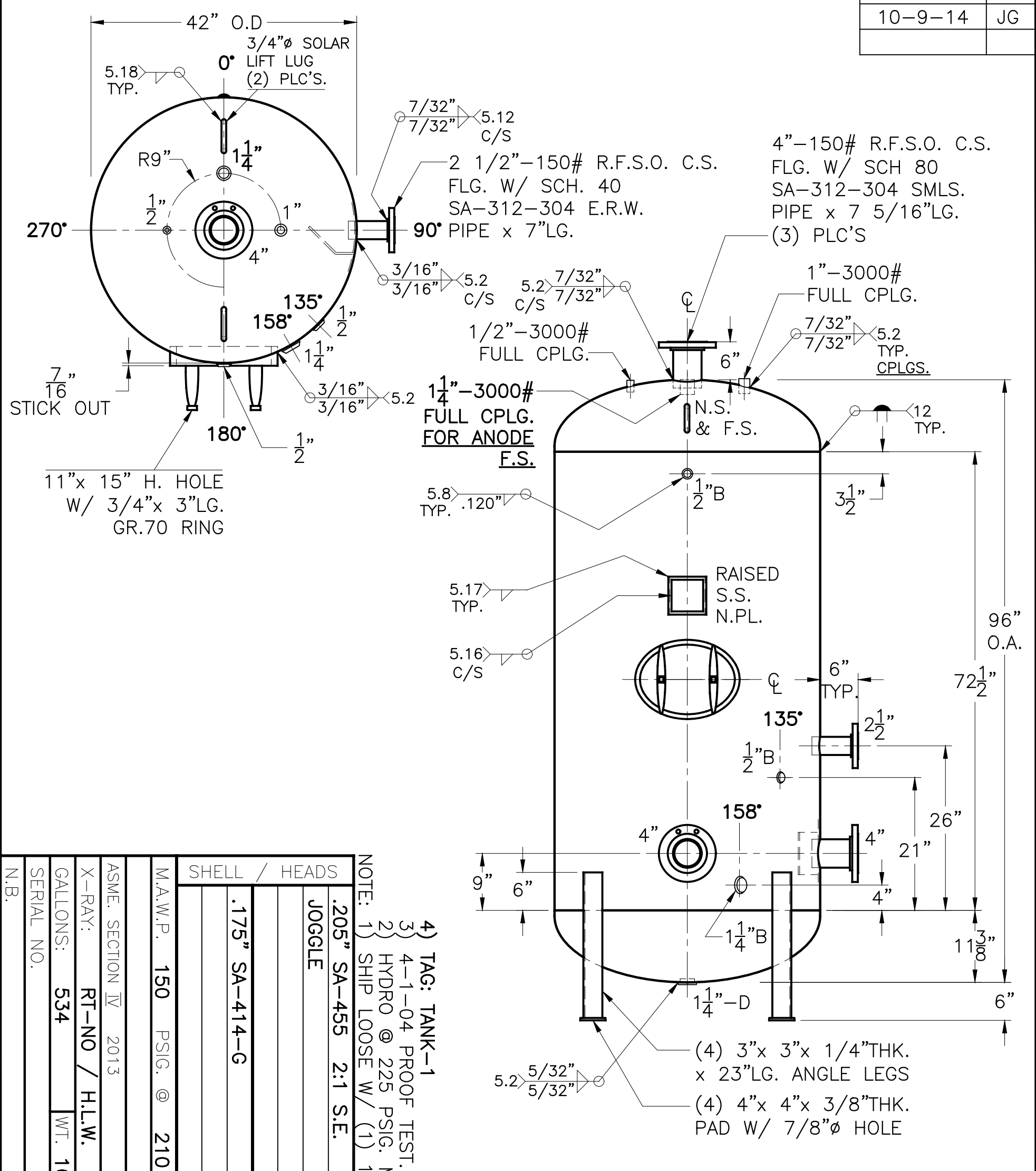


DATE	BY
10-9-14	JG



SHELL / HEADS	
JOGGLE	.205" SA-455 2:1 S.E.
M.A.W.P.	150 PSIG. @ 210 °F
ASME SECTION IV	2013
X-RAY:	RT-NO / H.L.W.
GALLONS:	534 WT. 1000 LBS.
SERIAL NO.	
N.B.	

NOTE: 1) SHIP LOOSE W/ (1) 1 5/16" x 84"LG. FLEX. MAG. ANODE.
 2) HYDRO @ 225 PSIG. MIN. TO 235 PSIG. MAX.
 3) 4-1-04 PROOF TEST.
 4) TAG: TANK-1

FOR:	VERT. HOT WATER TANK
INSIDE:	GLASS LINED
OUTSIDE:	S. BLAST & PRIME
LEG-ZONE	4-15 KM.
BY: E.S. / R.V.	SCALE: 3/4"=12"
ROY E. HANSON JR. MFG.	1600 E. WASHINGTON BLVD. LOS ANGELES, CA 90021
WO-362-B	REV. DATE: 10-9-14
	DATE: 10-9-14
	REVISIONS:
	11 L.S.

