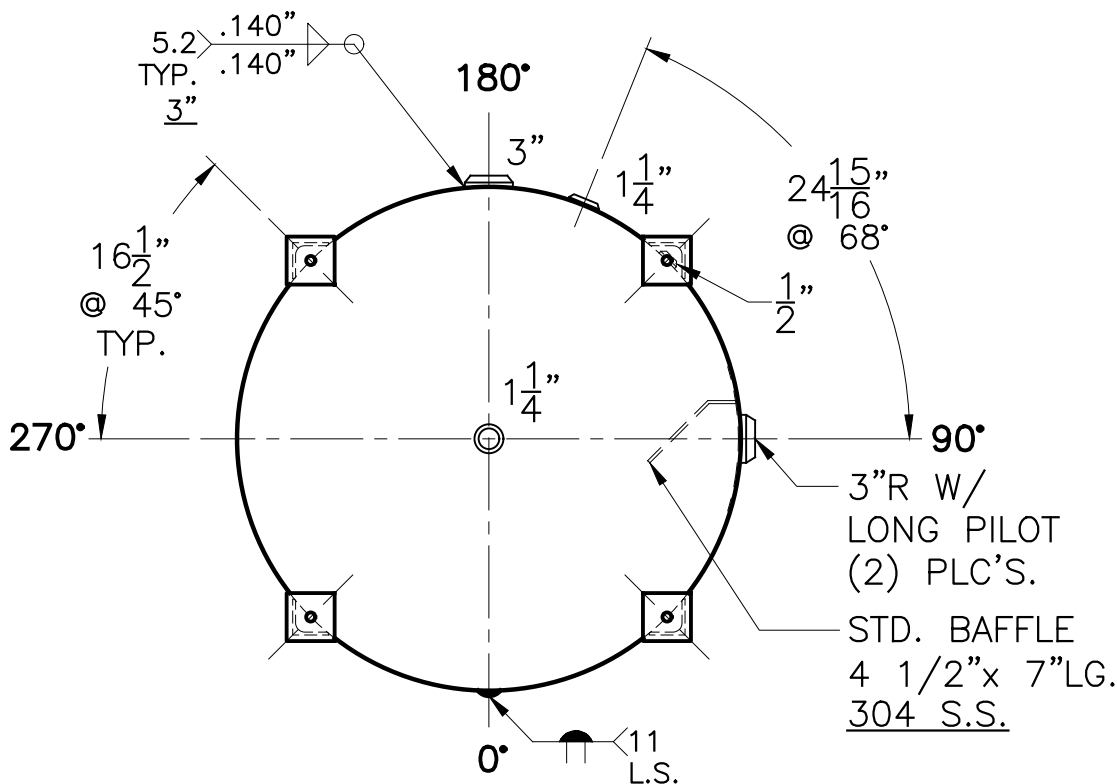
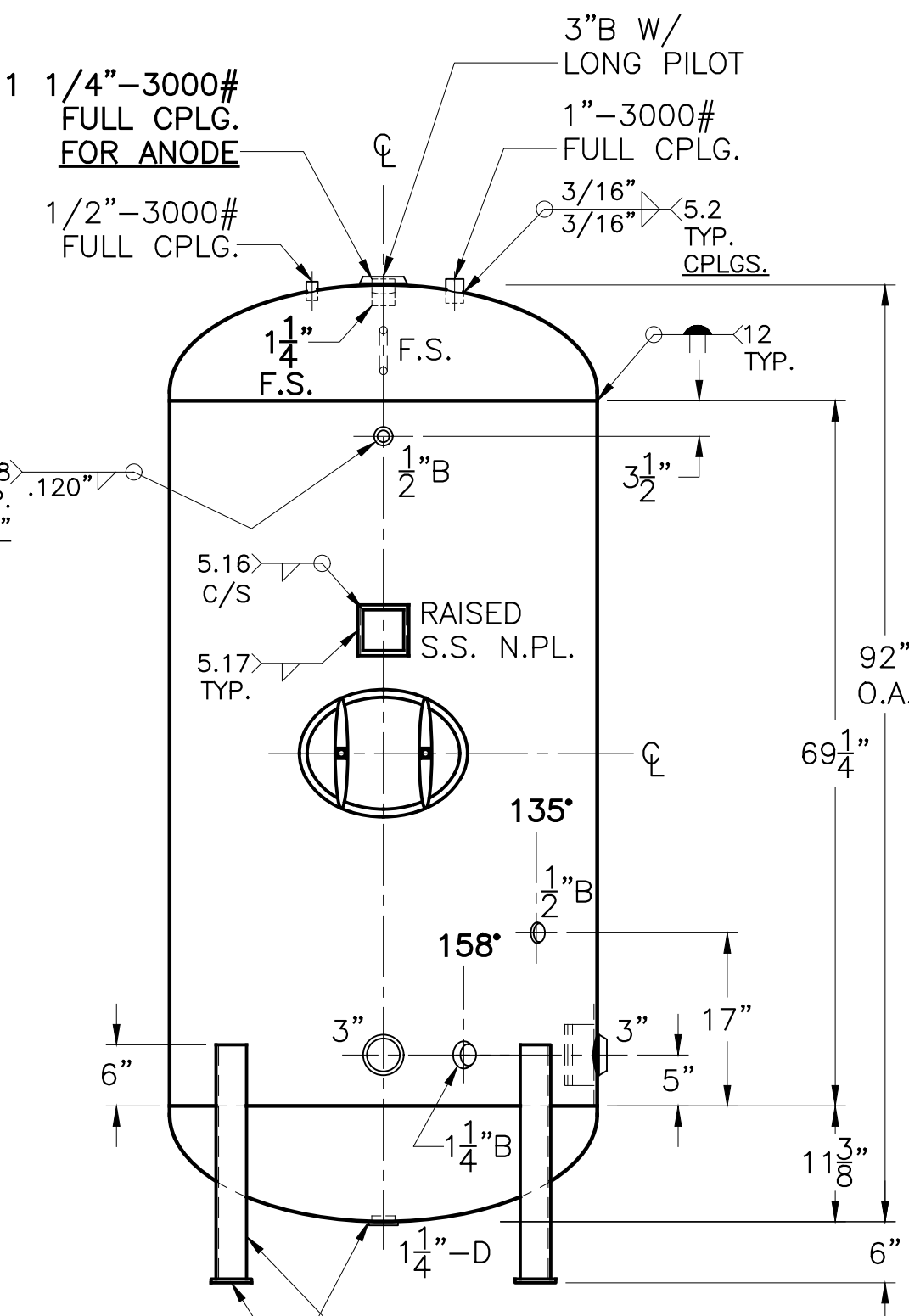
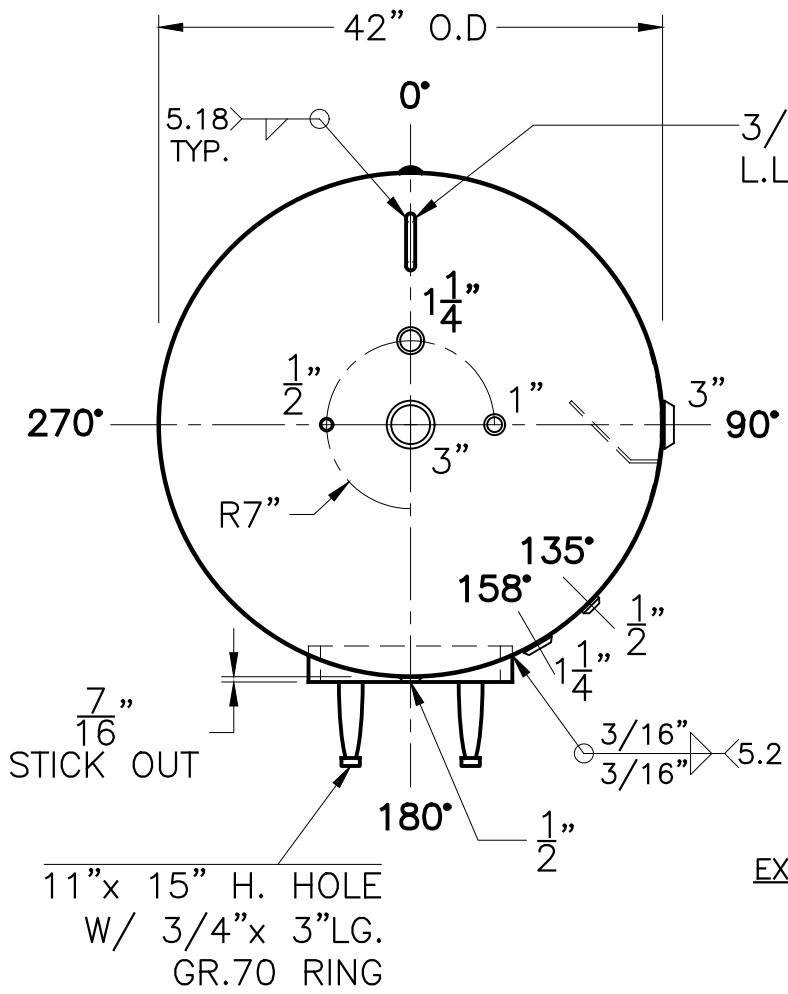


DATE	BY
9-12-14	RH



NOTE: 1) SHIP LOOSE W/ (1) 1 5/16" x 72" LG. FLEX. MAG. ANODE.
 2) HYDRO @ 240 PSIG.
 3) 4-1-04 PROOF TEST.

SHELL / HEADS		JOGGLE		.205" SA-414-G 2:1 S.E.	
.175" SA-414-G		M.A.W.P. 160		PSIG. @ 210 °F	
ASME SECTION IV 2017		X-RAY: RT-NO / H.L.W.		GALLONS: 499	
WT. 900 LBS.		SERIAL NO.		N.B.	
FOR: VERT. HOT WATER TANK		SURFACE AREA = 91.4 SQ. FT.		INSIDE: GLASS LINED	
OUTSIDE: S. BLAST & PRIME		LEG-ZONE 4-15 KM.		BY: J.G./B.L.	
SCALE: 3/4"=12"		ROY E. HANSON JR. MFG.		LOS ANGELES, CA 90021	
WO-343-B		REV. 7-18-18		DATE: 9-12-14	