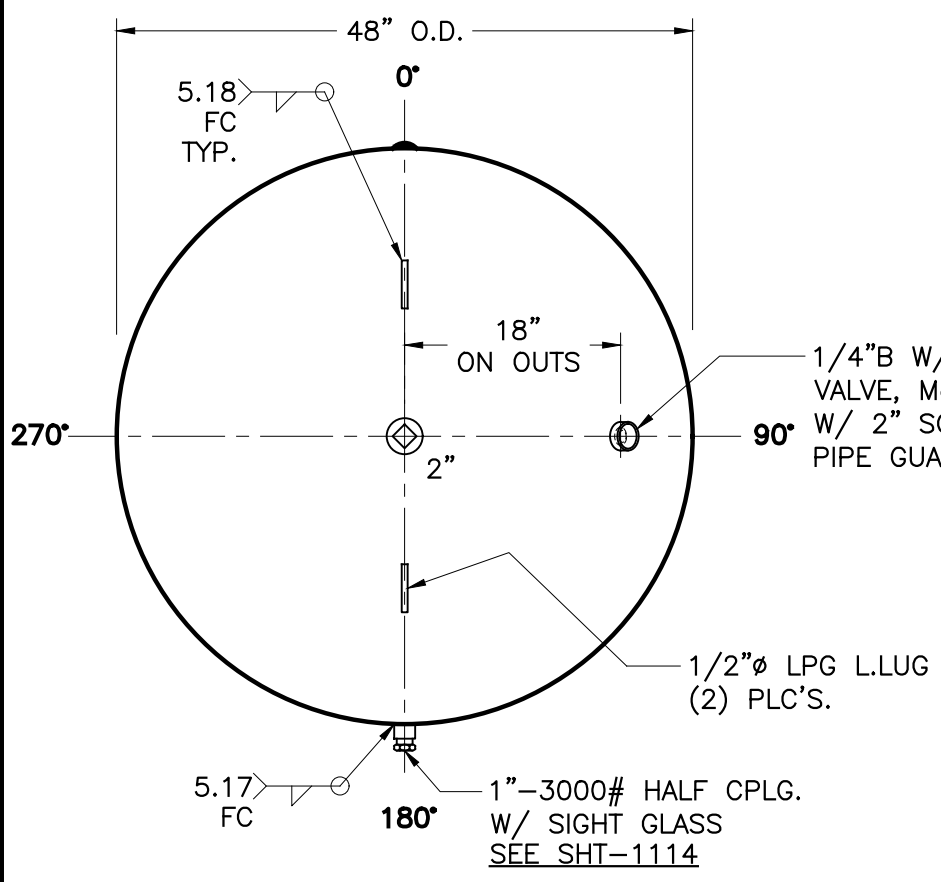


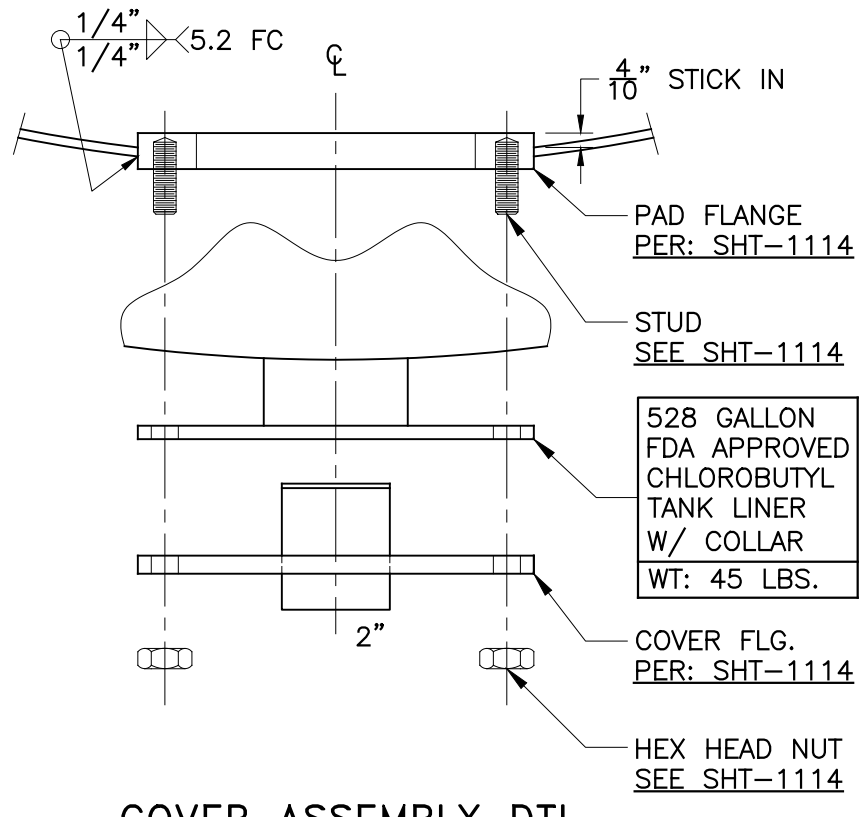
DATE	BY
8-1-14	RH



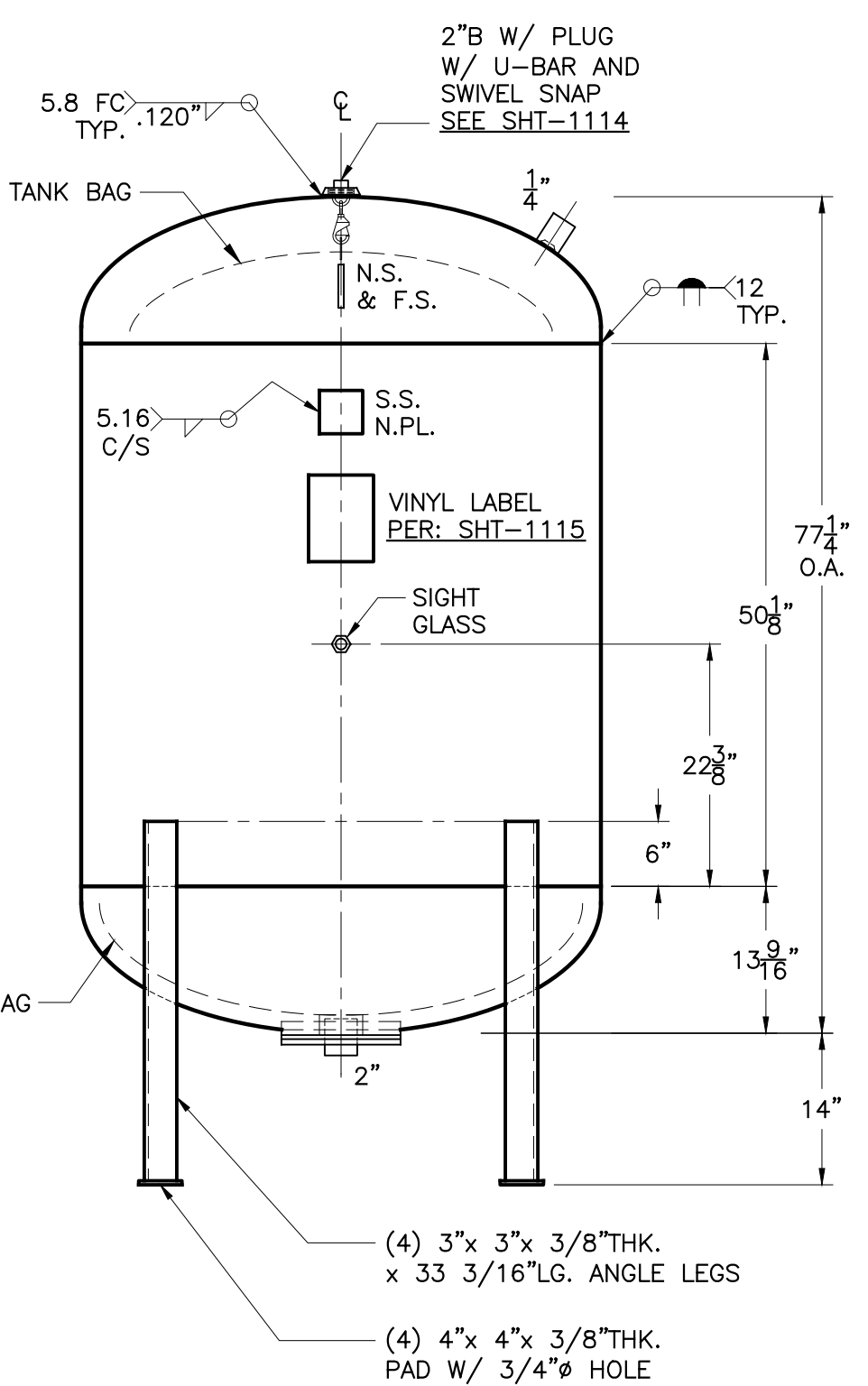
1/4" B W/ BRASS CHARGING VALVE, McMASTER #8063K37 W/ 2" SCH. 40 PIPE GUARD x 2" LG.

1/2" ϕ LPG L.LUG (2) PLC'S.

1"-3000# HALF CPLG. W/ SIGHT GLASS SEE SHT-1114



COVER ASSEMBLY DTL.



2" B W/ PLUG W/ U-BAR AND SWIVEL SNAP SEE SHT-1114

5.8 FC TYP. .120"

5.16 C/S

S.S. N.PL.

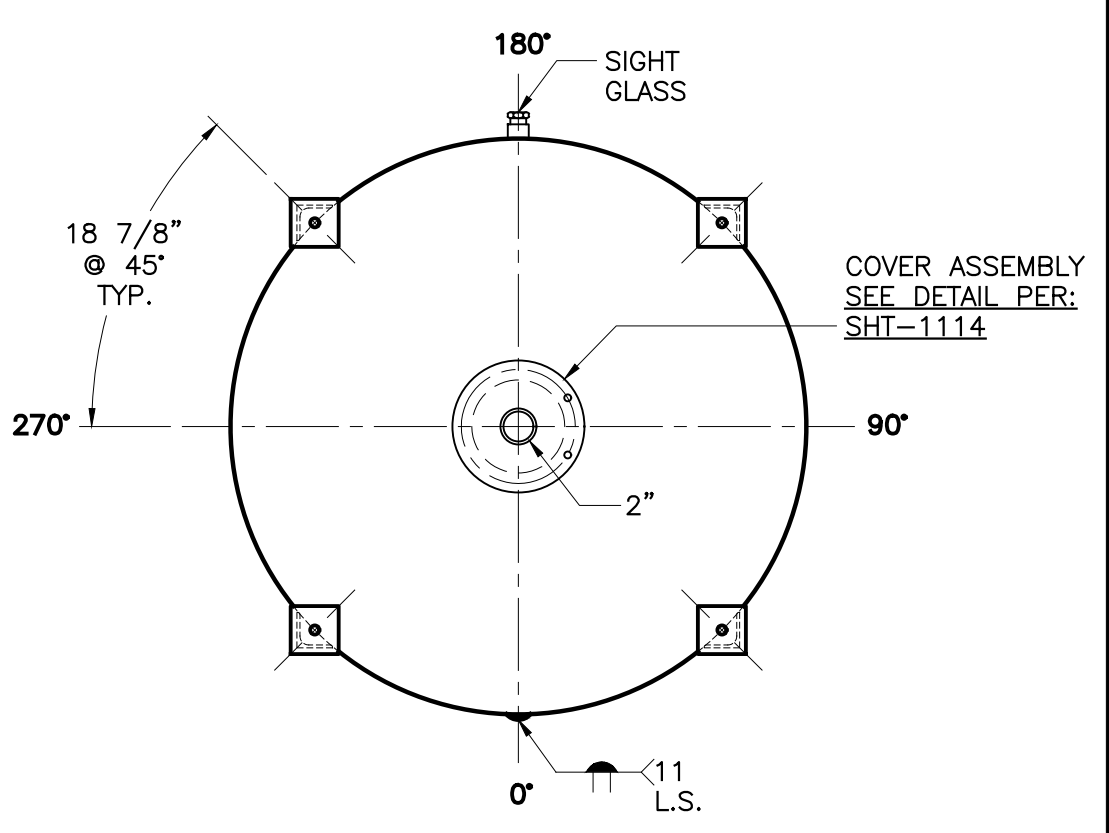
VINYL LABEL PER: SHT-1115

SIGHT GLASS

TANK BAG

(4) 3"x 3"x 3/8" THK. x 33 3/16" LG. ANGLE LEGS

(4) 4"x 4"x 3/8" THK. PAD W/ 3/4" ϕ HOLE



COVER ASSEMBLY SEE DETAIL PER: SHT-1114

SHELL / HEADS	
TRIM	.250" SA-455 2:1 S.E.
	.205" SA-455
M.A.W.P.	125 PSIG. @ 240 °F
M.D.M.T.	32 °F @ 125 PSIG.
ASME. SECTION	VIII DIV. 1, 2013
X-RAY:	RT-NO
GALLONS:	528 WT. 1102 LBS.
SERIAL NO.	
N.B.	
NOTE: 1) HYDRO @ 163 PSIG. MIN. 2) FOR NON CORROSIVE SERVICE-BLADDER TANK.	
FOR:	WO-312-B
DATE:	8-1-14
REV.	
VERT. BLADDER TANK	
SURFACE AREA = 90.5 SQ. FT.	
INSIDE:	UNPAINTED
OUTSIDE:	S. BLAST, EPOXY, WHITE URETHANE TOP COAT
LEG-ZONE	4-15 KM.
BY:	E.S. / S.E. SCALE: 3/4"=12"
ROY E. HANSON JR. MFG.	
1600 E. WASHINGTON BLVD. LOS ANGELES, CA 90021	