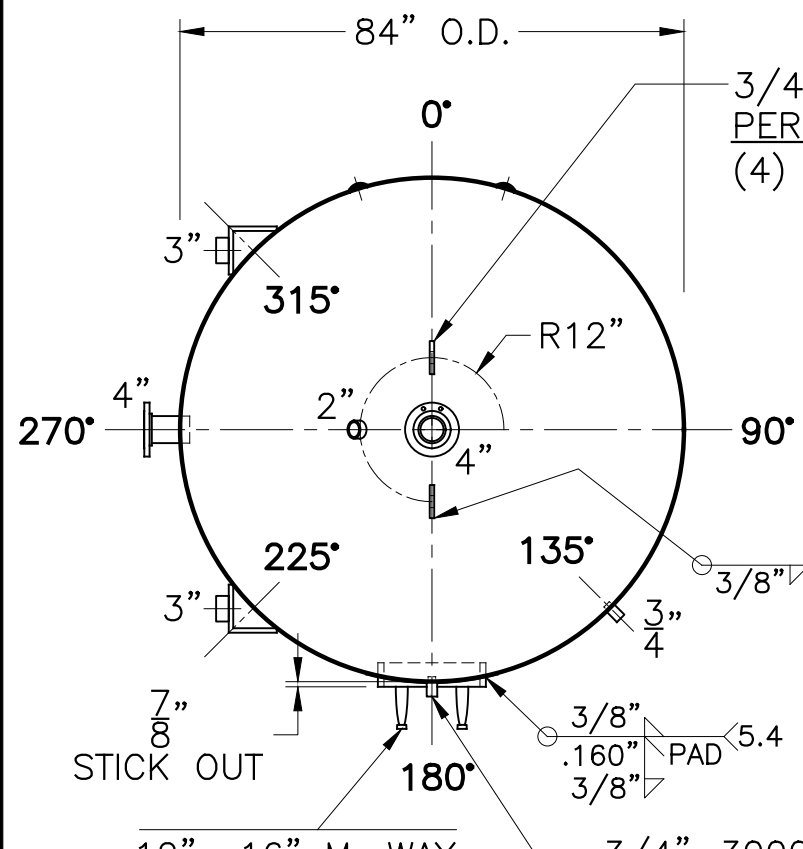


DATE	BY
7-24-14	JG



12"x 16" M. WAY
W/ 1"x 3" LG.
GR.70 RING
W/ .160" SA-414-G
x 18"x 22" ELLIP. PAD
W/ 1/8" Ø WEEP HOLE

3/4" THK. L.LUG
PER: MA-335-A
(4) PLC'S.

4"-150# R.F.S.O.
FLG. W/ SCH. 80
SA-106-B
PIPE x 7 5/16" LG.
(3) PLC'S.

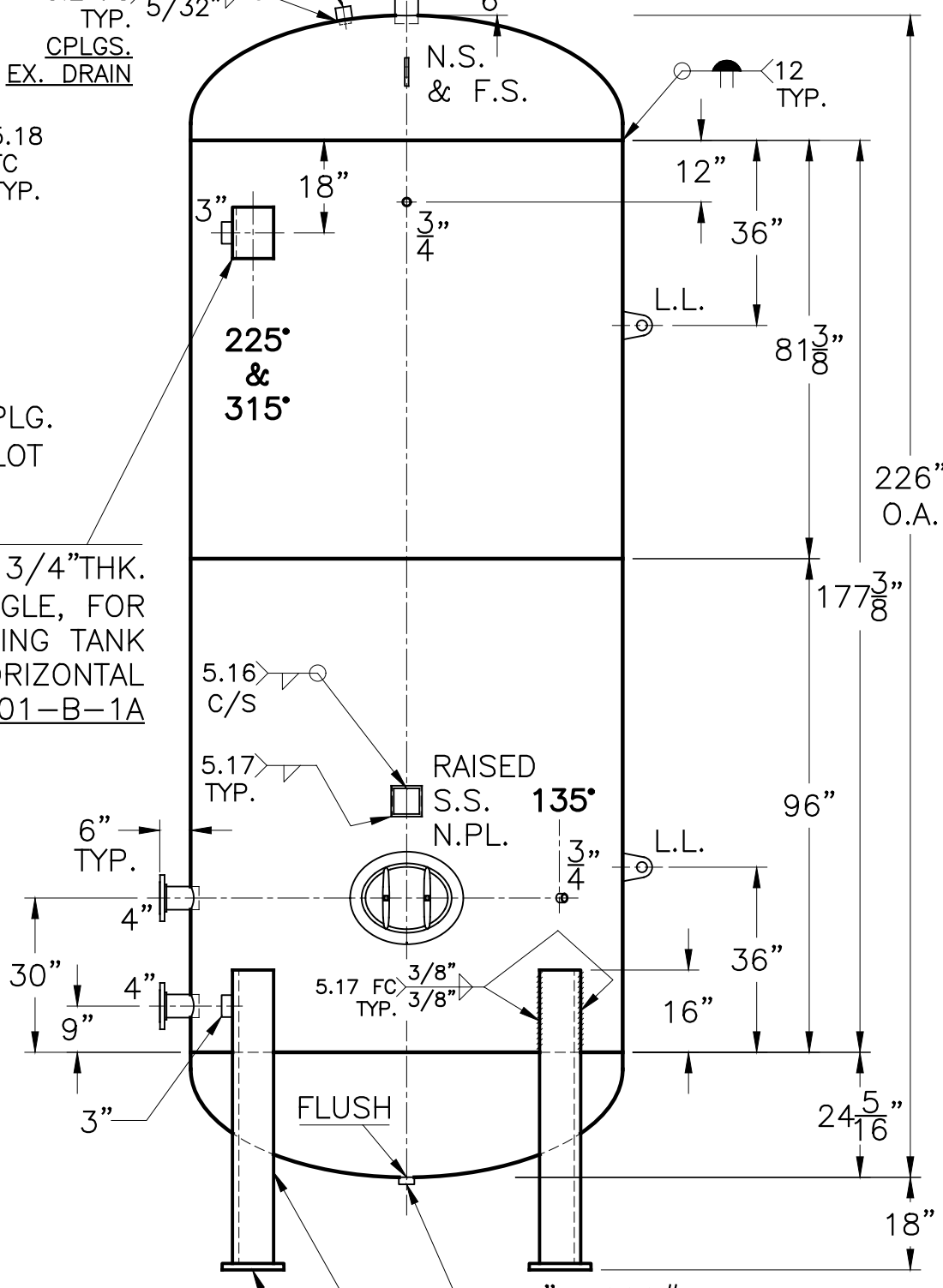
2"-3000#
EXTENDED CPLG.
W/ LONG PILOT

5.2 FC 5/32"
TYP. 5/32"
CPLGS.
EX. DRAIN

5.18
FC
TYP.

3/4"-3000#
EXTENDED CPLG.
W/ LONG PILOT
(2) PLC'S.

(2) 8"x 8"x 3/4" THK.
x 10" LG. ANGLE, FOR
SHIPPING TANK
HORIZONTAL
PER: WO-301-B-1A



2"-3000#
HALF CPLG.
(4) 8"x 8"x 1" THK.
x 57 1/16" LG. ANGLE LEGS
(4) 12"x 12"x 1 1/4" THK.
PAD W/ 1 5/8" Ø HOLES

SHELL / HEADS	
.318" SA-455	(.274" MIN.)
.318" SA-455	2:1 S.E.
M.A.W.P. 125	PSIG. @ 180 °F
M.D.M.T. 0	°F @ 125 PSIG.
ASME SECTION VIII	DIV. 1, 2013
X-RAY: RT-4 SPOT L.S. & HEADS G.S.	
GALLONS: 5000	WT. 8185 LBS.
SERIAL NO.	
N.B.	

NOTE: 1) HYDRO @ 163 PSIG. MIN.
2) EXTENDED CPLGS. ON TOP HEAD AND SHELL.
3) SHIP HORIZONTAL.

WO-301-B	REV. 7-28-14
DATE: 7-24-14	
FOR: VERT. WATER TANK	
SURFACE AREA = 443.4 SQ. FT.	
UW-21(b)	
INSIDE: EPOXY LINED	
OUTSIDE: PRIME & FIBERGLASS	
W/ (.016") 304 S.S. JACKET	
LEG-ZONE 2A-15 KM.	
BY: E.S. / B.C.	SCALE: 3/8"=12"
ROY E. HANSON JR. MFG.	
1600 E. WASHINGTON BLVD.	
LOS ANGELES, CA 90021	

