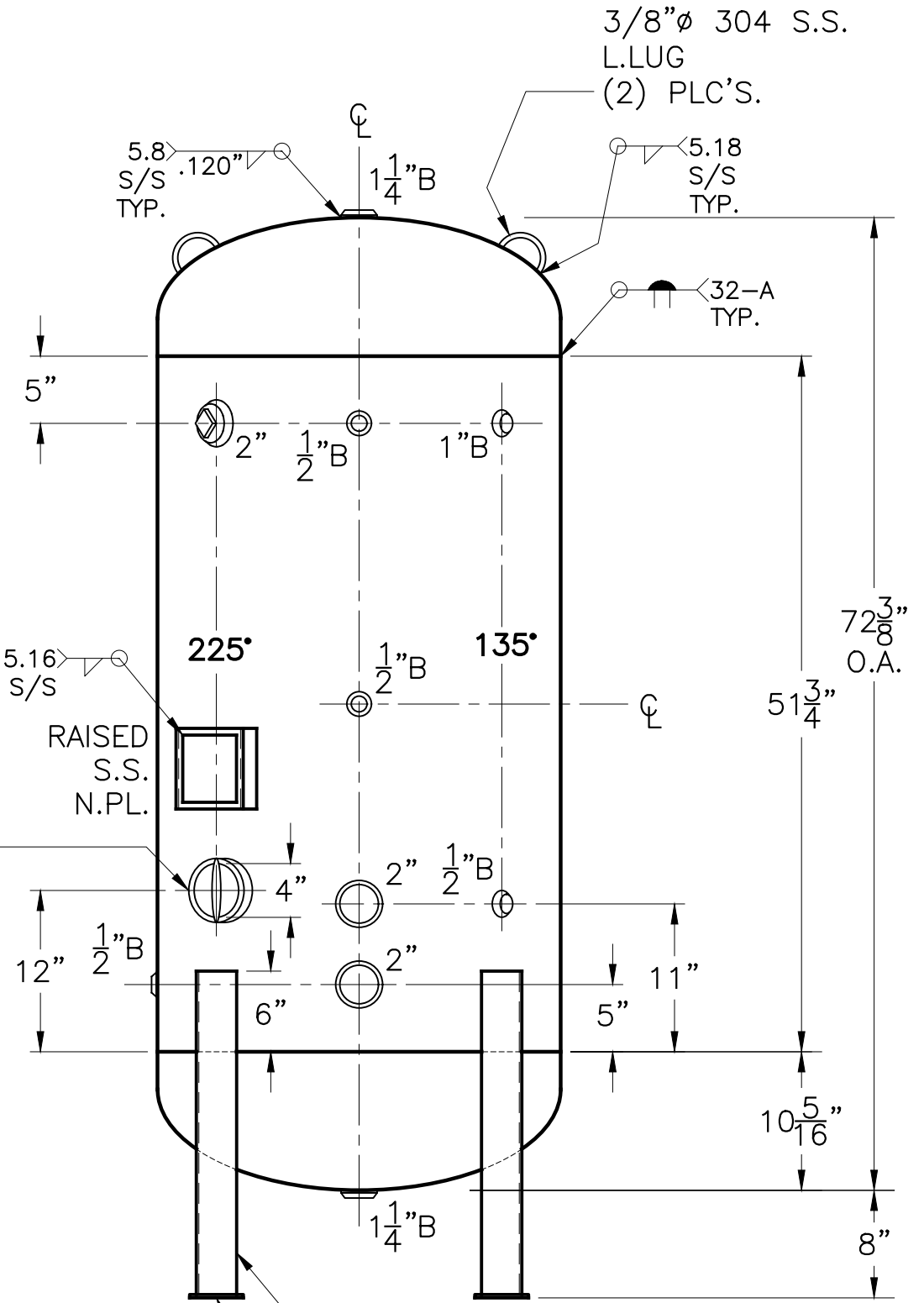
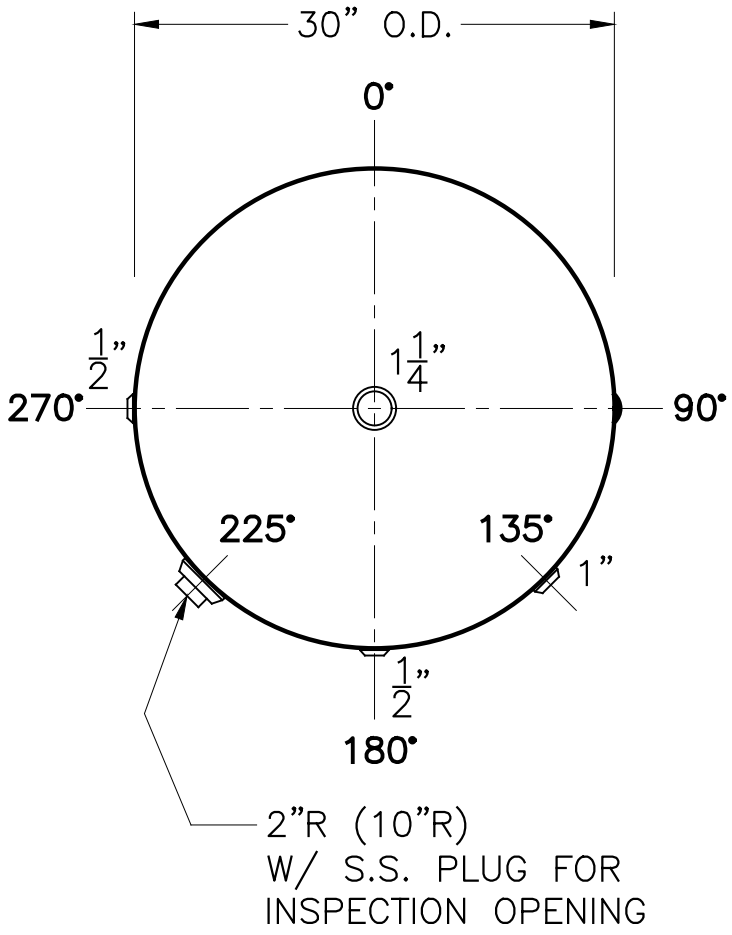


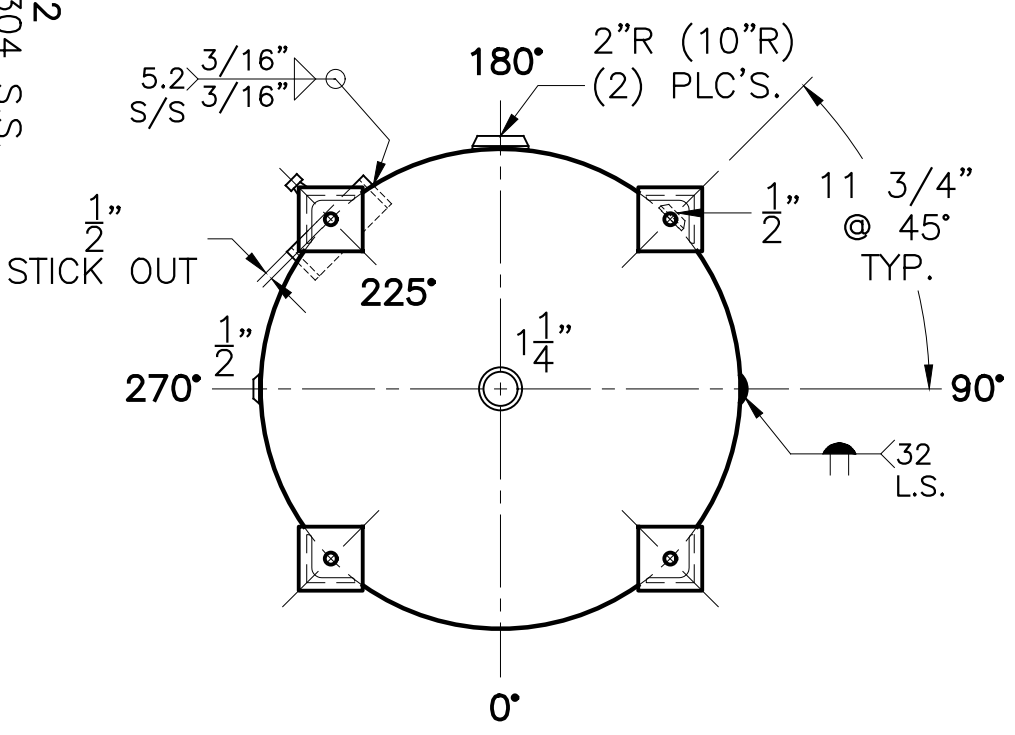
DATE	BY
7-14-14	JG
7-16-14	JG



4"x 6" H. HOLE
W/ .247"x 1 5/8"LG.
SA-312-304
E.R.W. RING

(4) 2 1/2"x 2 1/2"x 3/16"THK.
x 24 1/16"LG. ANGLE LEGS
304 S.S.

(4) 4"x 4"x 1/4"THK.
304 S.S. PAD W/ 3/4"Ø HOLE



NOTE: 1) HYDRO @ 195 PSIG. MIN.
2) ALL FNPT'S SA-182-304 S.S.
3) ALBERTA CRN: W6276.2

SHELL / HEADS	.187" SA-240-304 2:1 S.E.
TRIM	
	.187" SA-240-304
LEG-ZONE	4-15 KM.
M.A.W.P.	150 PSIG. @ 200 °F
M.D.M.T.	-60 °F @ 150 PSIG.
ASME SECTION VIII DIV. 1, 2013	
X-RAY:	RT-NO
GALLONS:	200
SERIAL NO.	WT. 463 LBS.
N.B.	

FOR:	WO-286-B	REV: 7-16-14
		DATE: 7-10-14
VERT. WATER TANK		
CRACKING OF STAINLESS STEEL		
WATER TANKS, HOWEVER CAUSED,		
IS NOT A RESPONSIBILITY OF		
HANSON AND IS EXCLUDED FROM		
HANSON LIMITED WARRANTY.		
INSIDE: PASSIVATE		
OUTSIDE: BEAD BLAST & PASSIVATE		
BY: E.S. / B.C.	SCALE: 1" = 12"	
ROY E. HANSON JR. MFG.		
1600 E. WASHINGTON BLVD.		
LOS ANGELES, CA 90021		