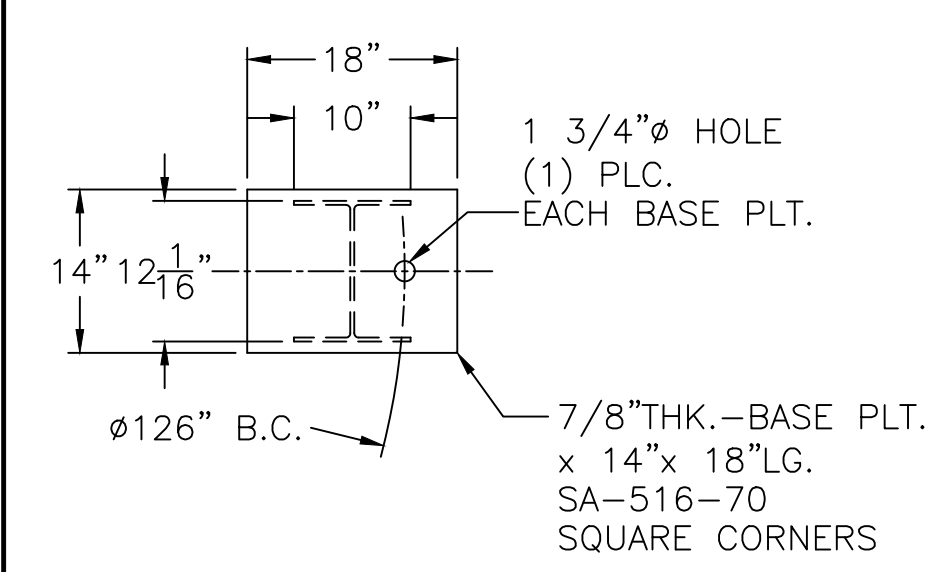
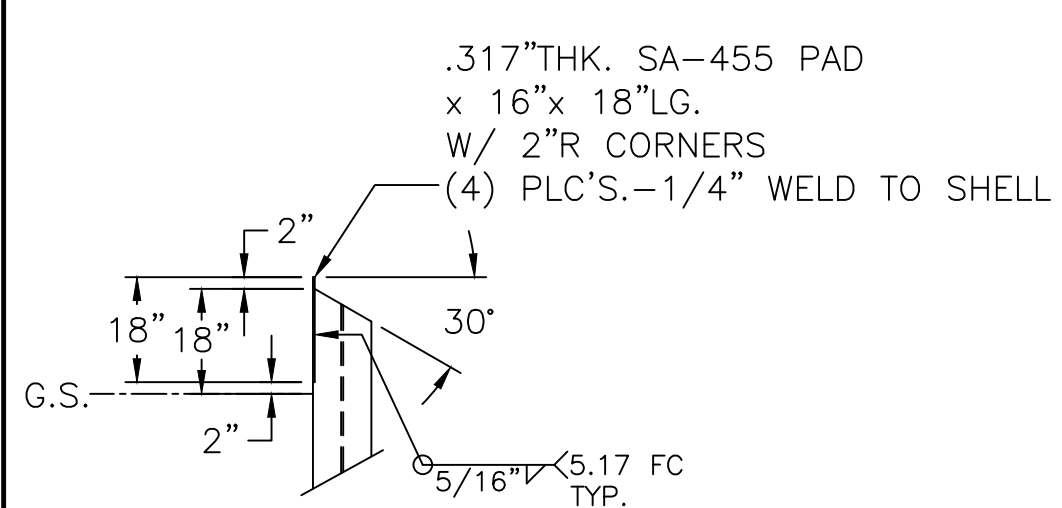
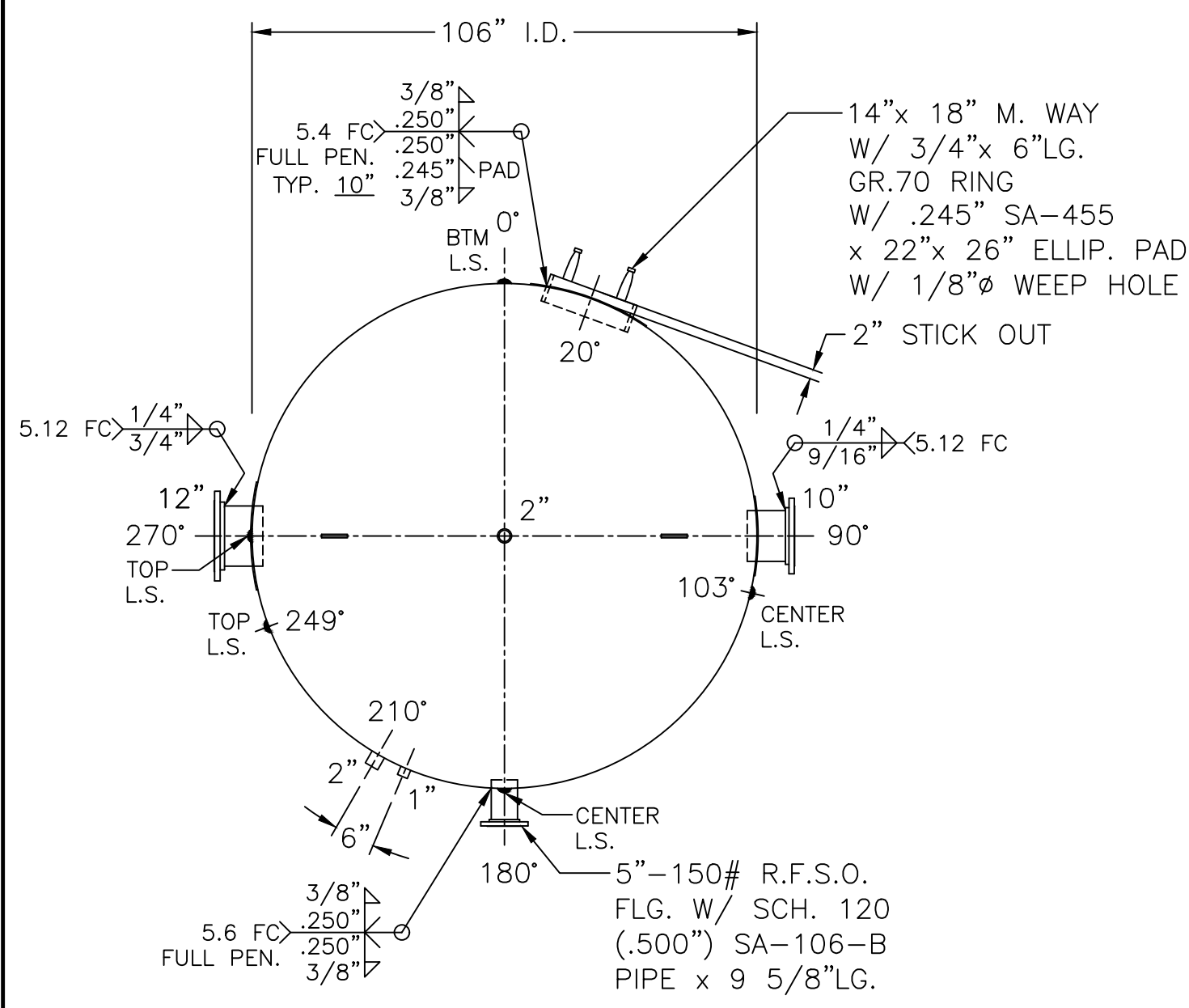
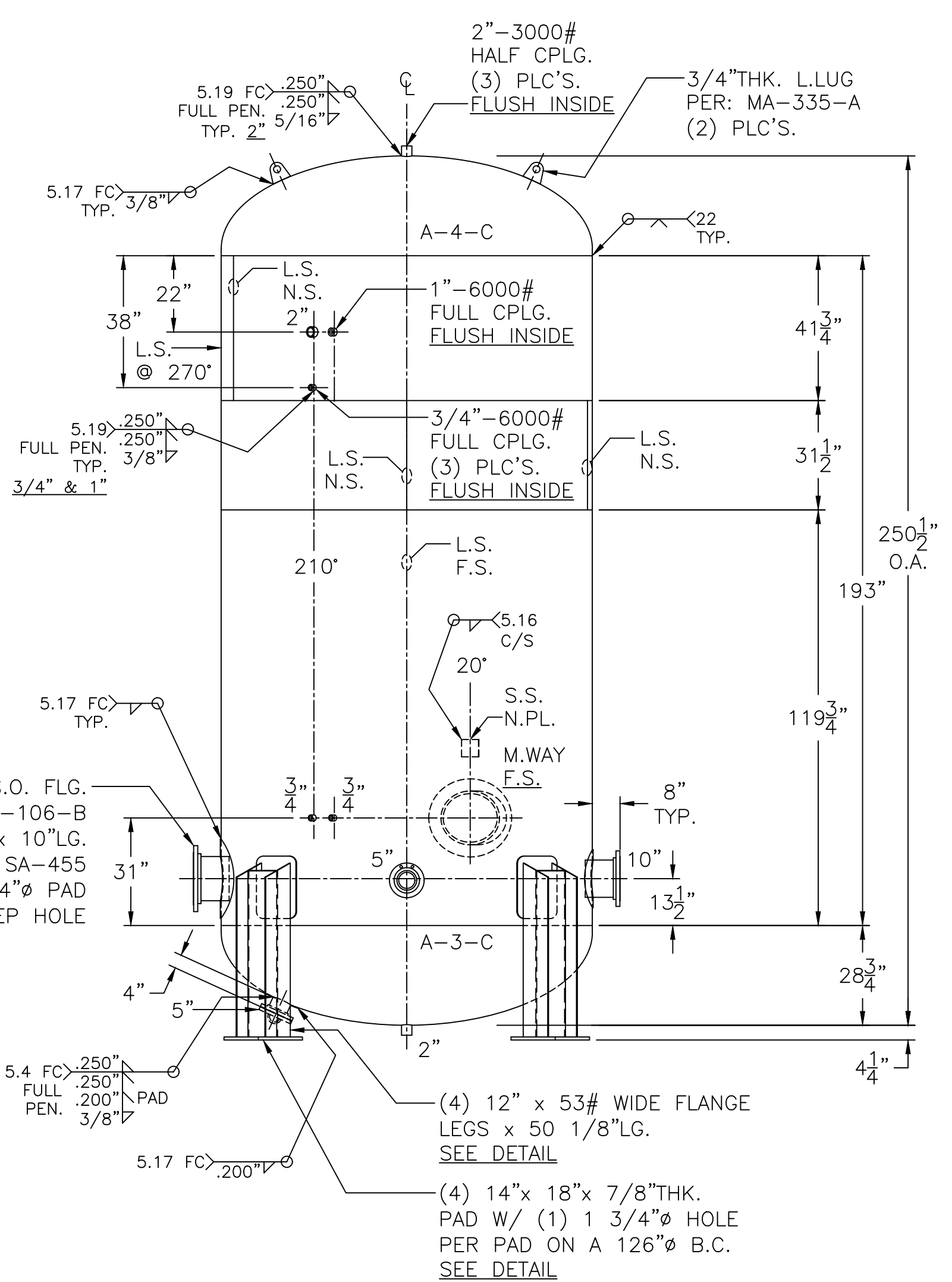


DATE	BY
2-17-14	JG

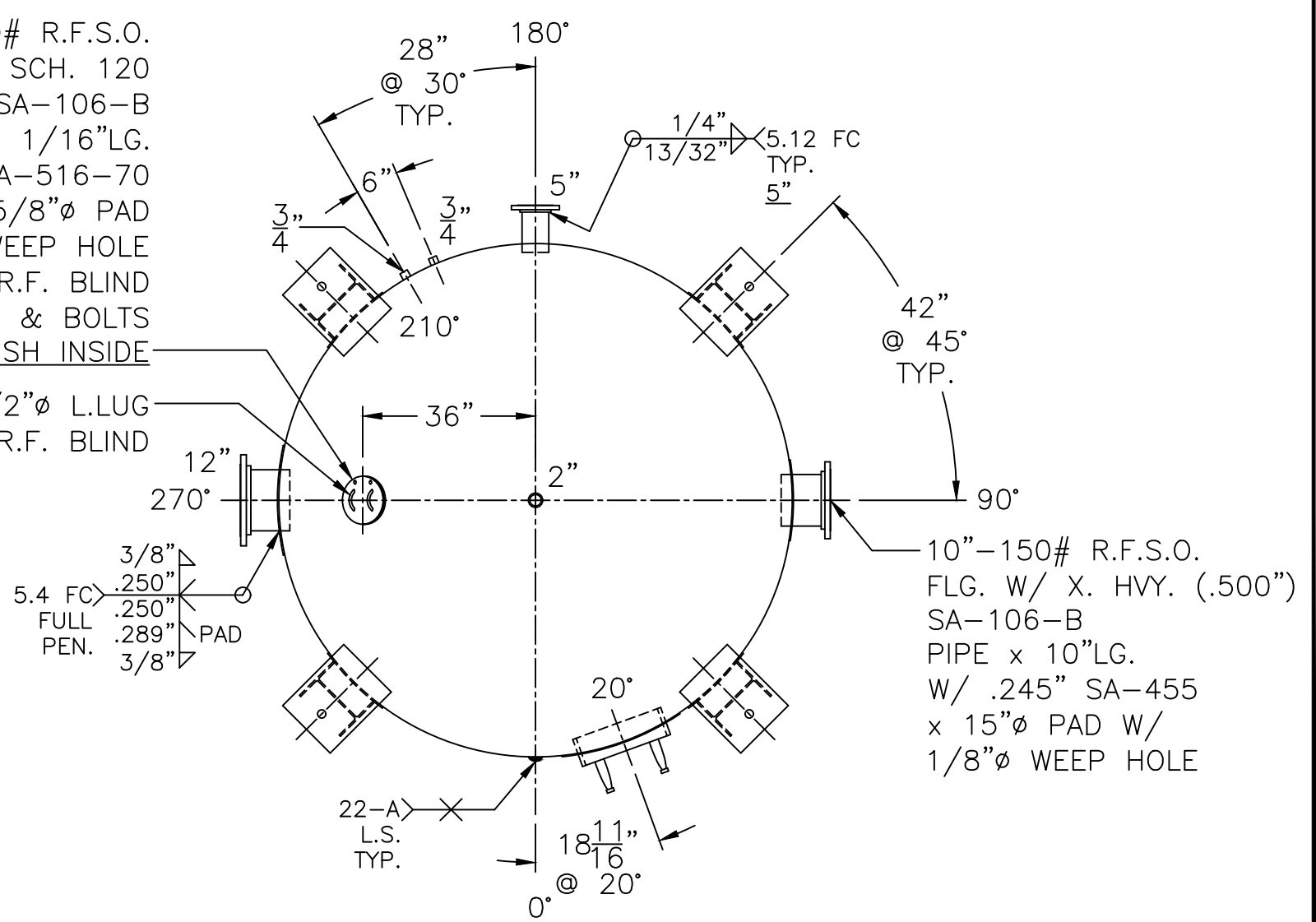


LEG & BASE PLT. DTL.



5"-150# R.F.S.O. FLG. W/ SCH. 120 (.500") SA-106-B PIPE x 4 1/16" LG. W/ .200" SA-516-70 x 9 5/8" Ø PAD W/ 1/8" WEEP HOLE W/ 5"-150# R.F. BLIND W/ GASKETS, NUTS & BOLTS FLUSH INSIDE

(2) 1/2" Ø L.LUG WELD ON 5" R.F. BLIND



N.B.	SERIAL NO.	GALLONS: 8909	X-RAY: RT-4 SPOT L.S. & HEADS G.S.	ASME: SECTION VIII DIV. 1, 2013	M.D.M.T. +25 °F @ 141 PSIG	M.A.W.P. 141 PSIG @ 160 °F	SHELL / HEADS	
							BTM-.500" SA-516-70 @ 119 3/4"	TOP-.500" SA-516-70 @ 41 3/4" (2 L.S.)
							MID-.500" SA-516-70 @ 31 1/2" (2 L.S.)	
							S.R. BY CMF	
							.500" SA-516-70 2:1 S.E. (.399" MIN.) SEAMLESS	
							NOTE: 1) ALL CPLGS. FLUSH INSIDE. 2) HYDRO @ 196 PSIG. MIN.	
							WO-131-C	
							REV. 3-28-14	
							DATE: 2-17-14	
							FOR: VERT. WATER/AIR TANK	
							VERT. SURFACE AREA = 633.4 SQ. FT.	
							INSIDE: SAND BLAST & INORGANIC ZINC	
							OUTSIDE: SAND BLAST, PRIME & ENAMEL (RAL 5017 TRAFFIC BLUE)	
							BY: E.S. / B.C. SCALE: 3/8"=12"	
							LEG-ZONE 1-15 KM.	
							ROY E. HANSON JR. MFG.	
							1600 E. WASHINGTON BLVD. LOS ANGELES, CA 90021	