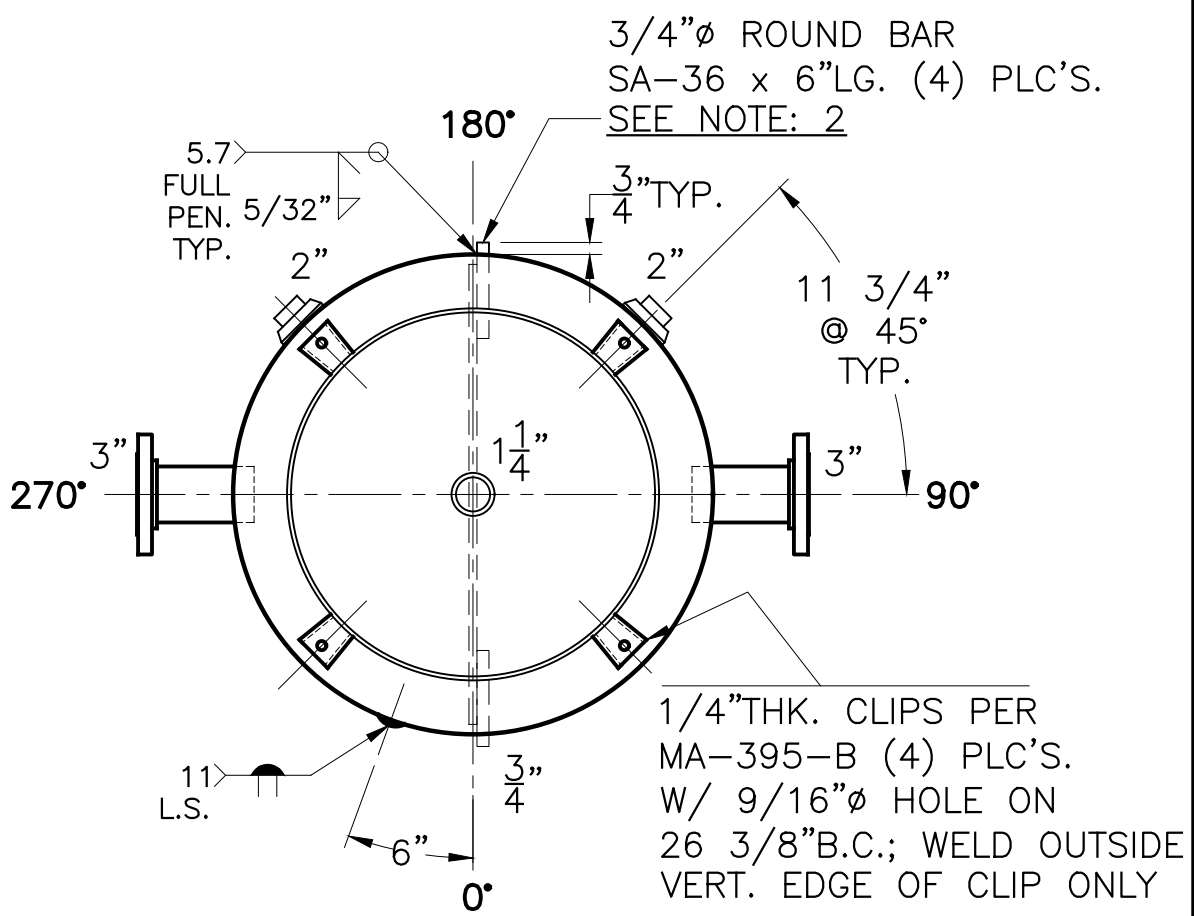
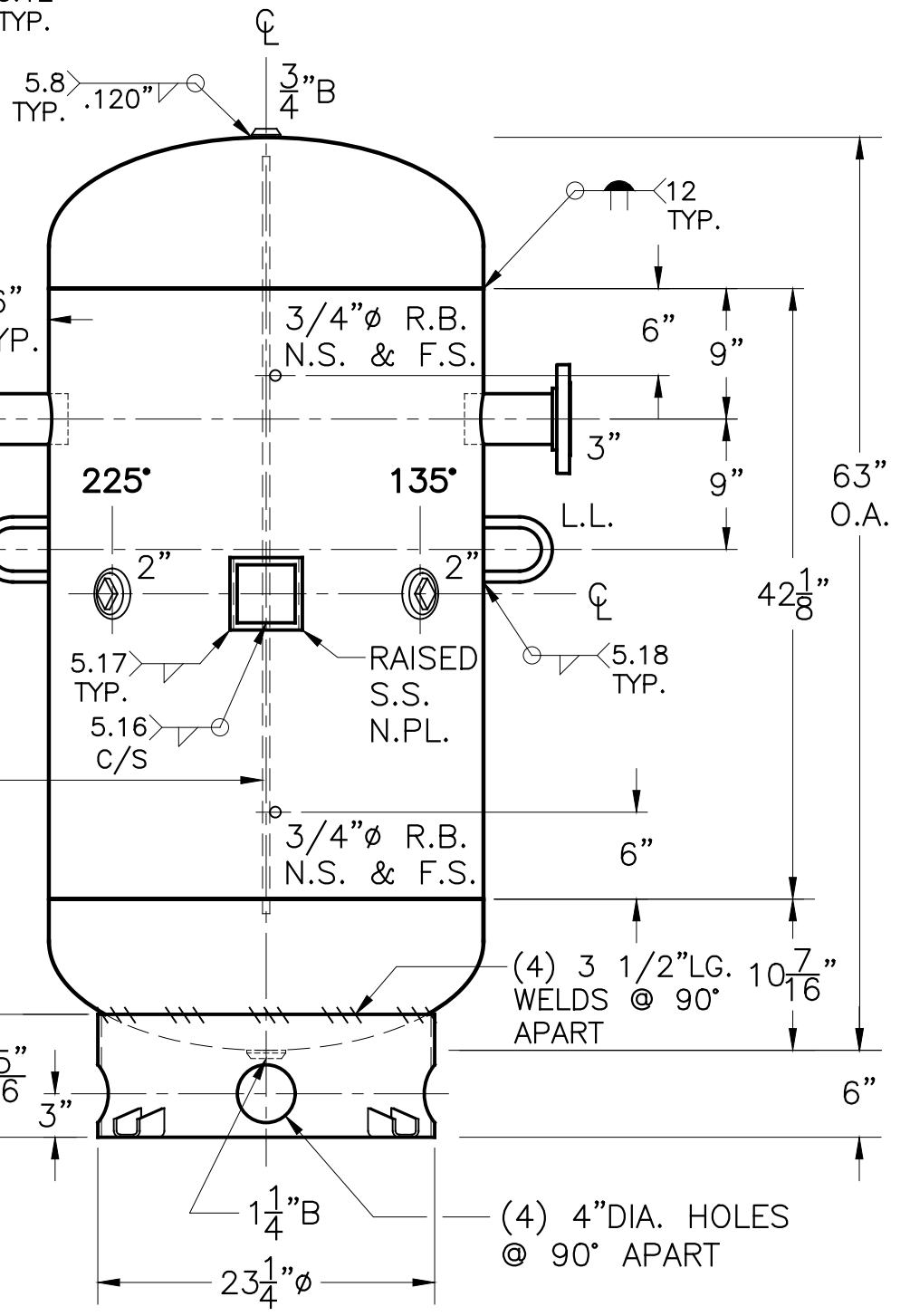
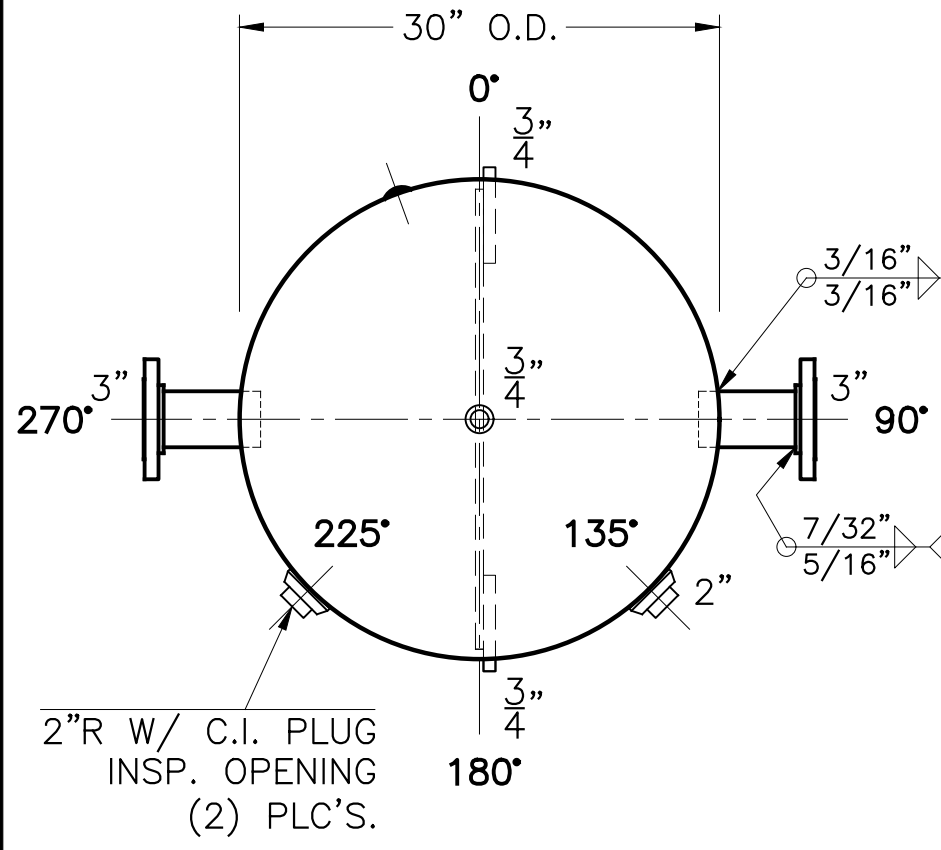


DATE	BY
10-29-13	JG



3"-150# R.F.S.O. FLG. W/ SCH. 40 SA-53B E.R.W. PIPE x 7"LG. (2) PLC'S.

3/4"Ø SOLAR LIFT LUG (2) PLC'S.

.166"THK. BAFFLE PER: WO-040-B-1A

SHELL / HEADS	
JOGGLE	.165" SA-414-G 2:1 S.E.
	.136" SA-414-G
M.A.W.P.	125 PSIG. @ 200 °F
M.D.M.T.	0 °F @ 125 PSIG.
ASME SECTION VIII DIV. 1, 2010 ADD 2011	
X-RAY:	RT-NO
GALLONS:	180 WT. 470 LBS.
SERIAL NO.	
N.B.	

NOTE: 1) WELD 3/4"Ø ROUND BARS TO SHELL AFTER HEADS ARE IN PLACE. HYDRO @ 163 PSIG. MIN.

FOR:	WO-040-B	REV.	DATE: 10-29-13
VERT. WATER TANK			
SURFACE AREA = 45.0 SQ. FT.			
UW-21(b)			
INSIDE:	UNPAINTED		
OUTSIDE:	PRIME & FIBERGLASS W/ ALUMINUM JACKET		
BY: E.S. / B.C.	SCALE: 1"=12"		
ROY E. HANSON JR. MFG.			
1600 E. WASHINGTON BLVD. LOS ANGELES, CA 90021			