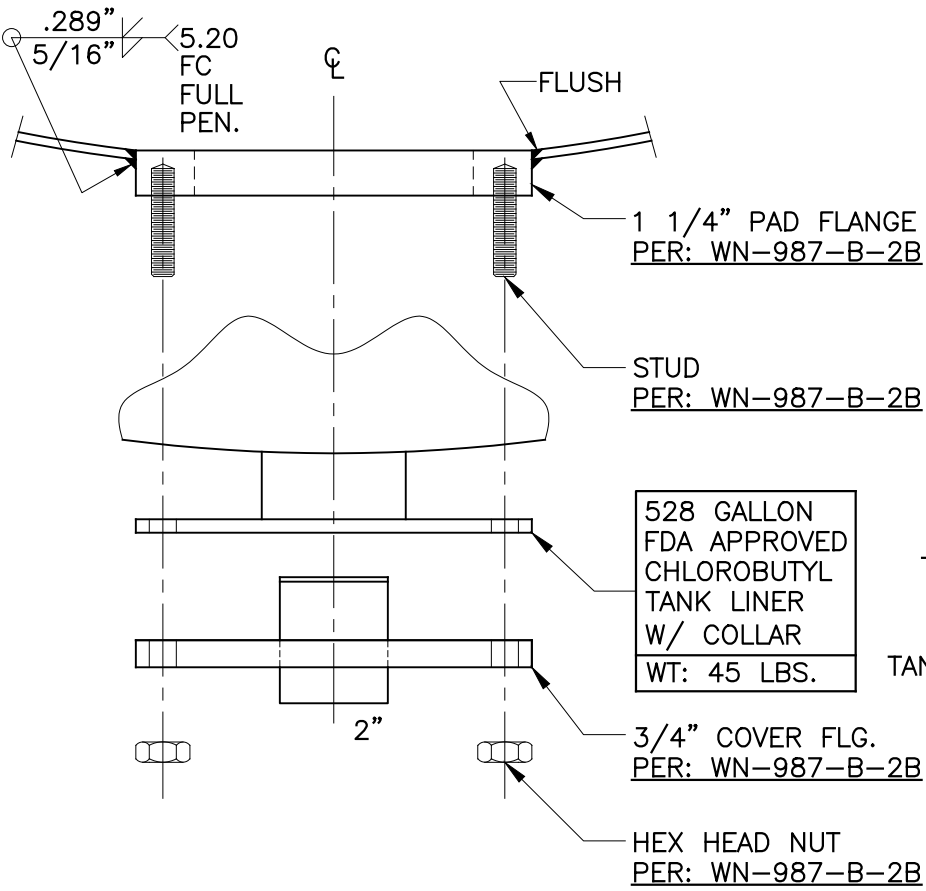
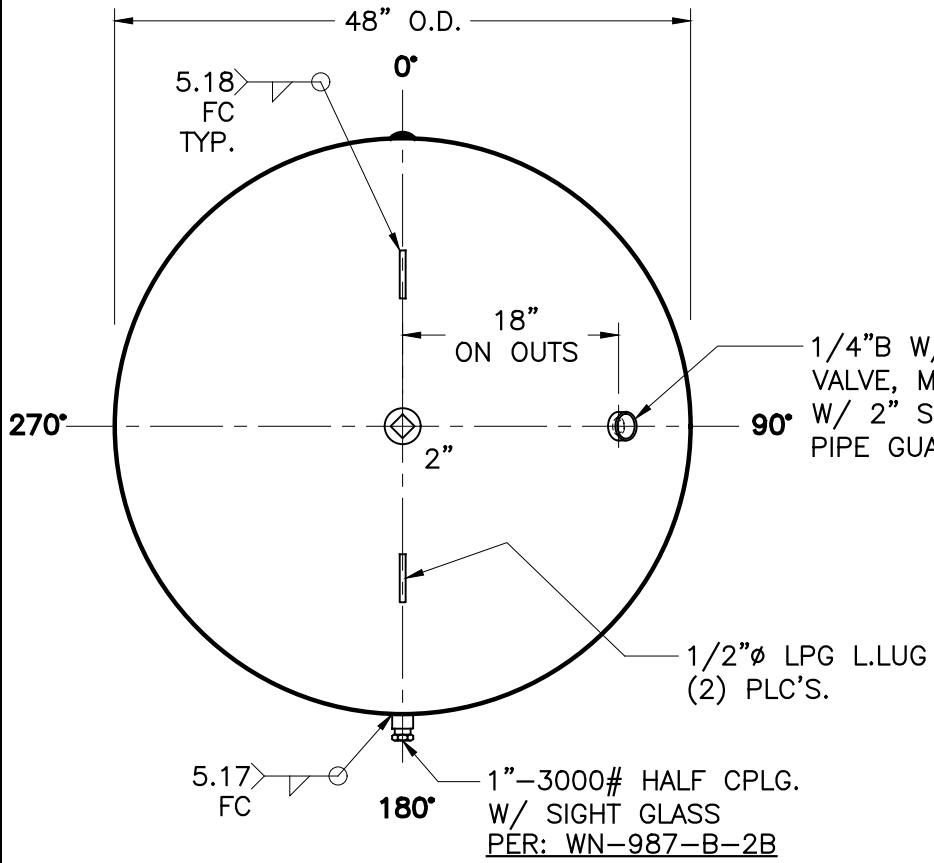
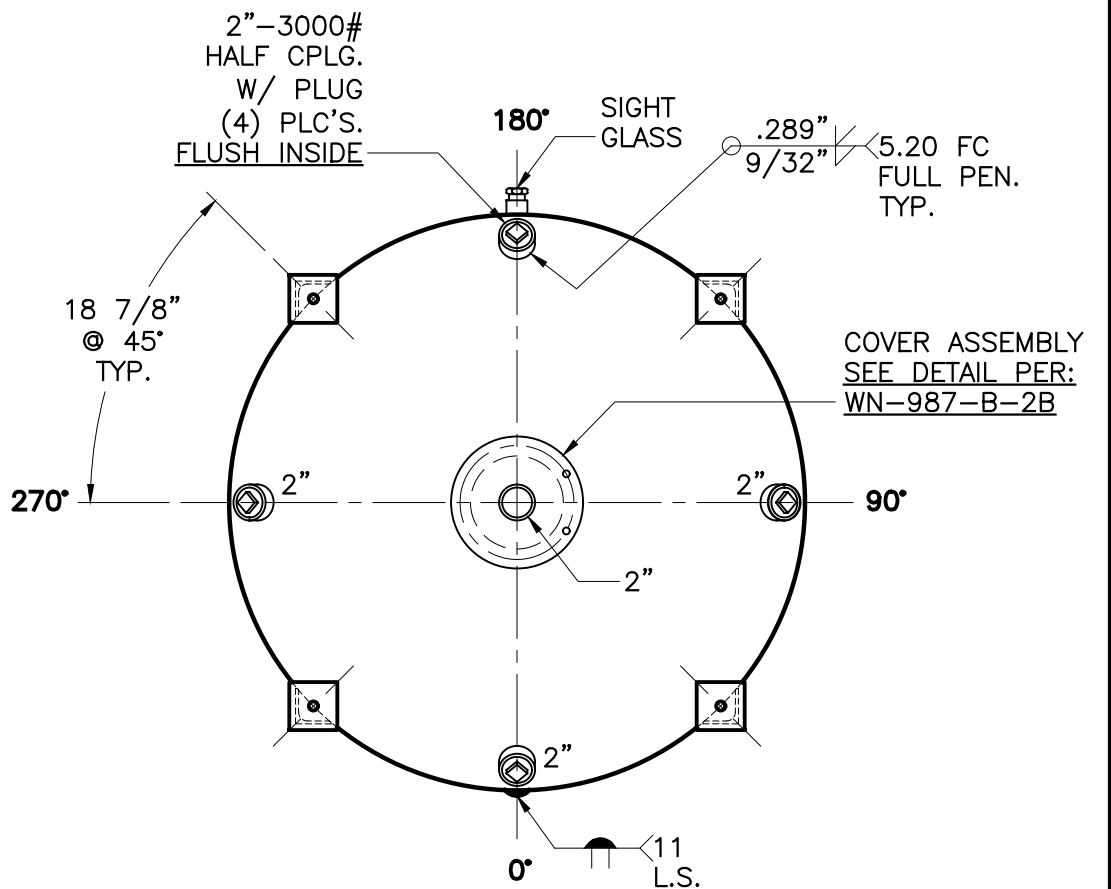
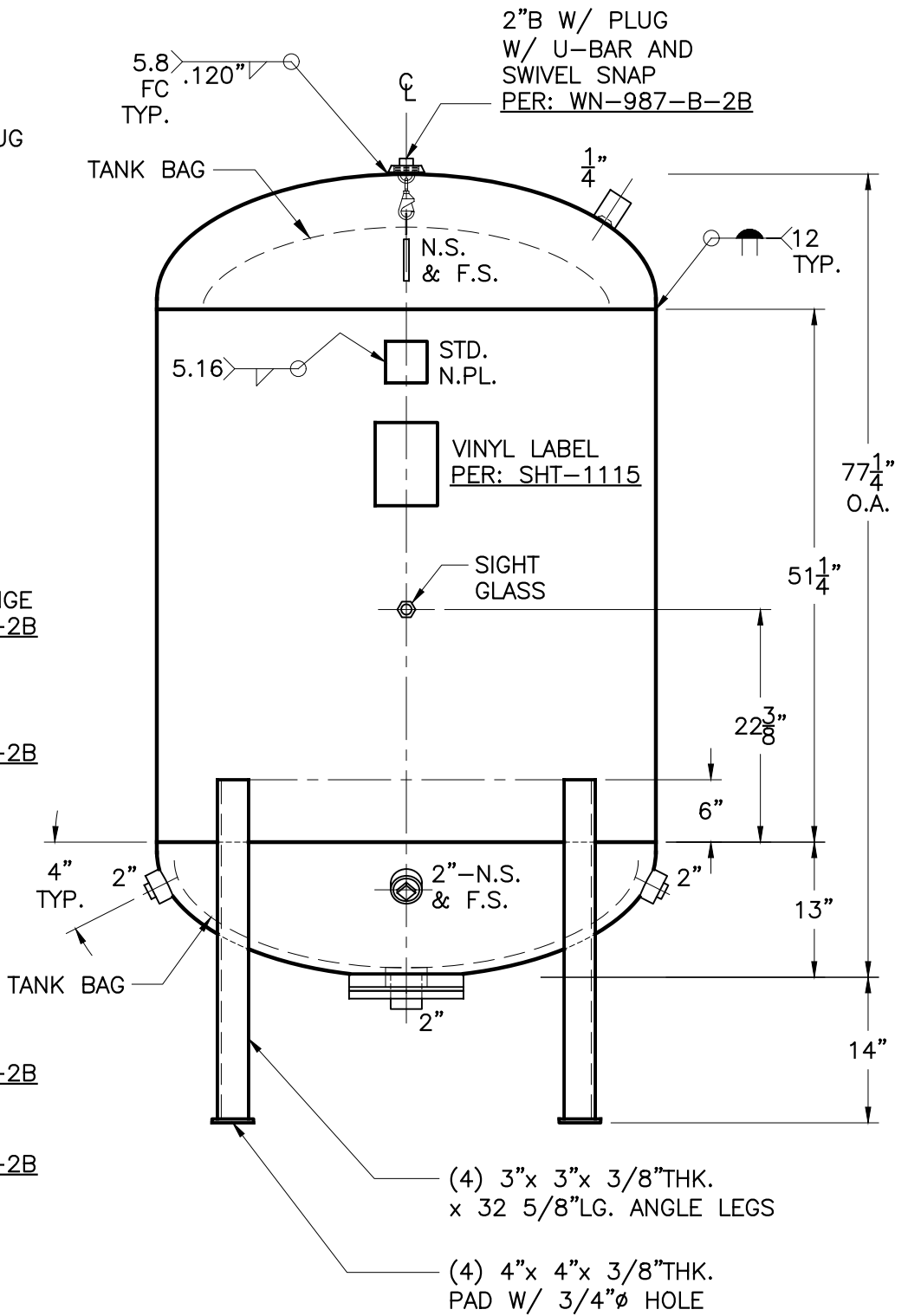


DATE	BY
10-1-13	JG
10-3-13	JG



COVER ASSEMBLY DTL.



NOTE: 1) HYDRO @ 260 PSIG. MIN.		2) FOR NON CORROSIVE SERVICE-BLADDER TANK.	
TRIM	.289" SA-455	2:1 S.E.	
SHELL / HEADS			
M.A.W.P.	200	PSIG. @	180
M.D.M.T.	30	° F @	200
ASME. SECTION	VIII	DIV. 1, 2010 ADD. 2011	
X-RAY:	RT-4	SPOT L.S. ONLY	
GALLONS:	528	WT.	1406 LBS.
SERIAL NO.			
N.B.			
FOR:	WO-011-B		
REV.	10-3-13	DATE:	9-30-13
VERT. BLADDER TANK			
SURFACE AREA = 90.5 SQ. FT.			
INSIDE: S. BLAST & VACUUM CLEAN, EPOXY INSIDE OF TANK			
OUTSIDE: S. BLAST, INORGANIC			
ZINC PRIME, EPOXY & RAL# 4006 PURPLE URETHANE TOPCOAT			
LEG-ZONE 4-15 KM.			
BY: E.S. / STEVE	SCALE: 3/4" = 12"		
<b>ROY E. HANSON JR. MFG.</b>			
1600 E. WASHINGTON BLVD. LOS ANGELES, CA 90021			