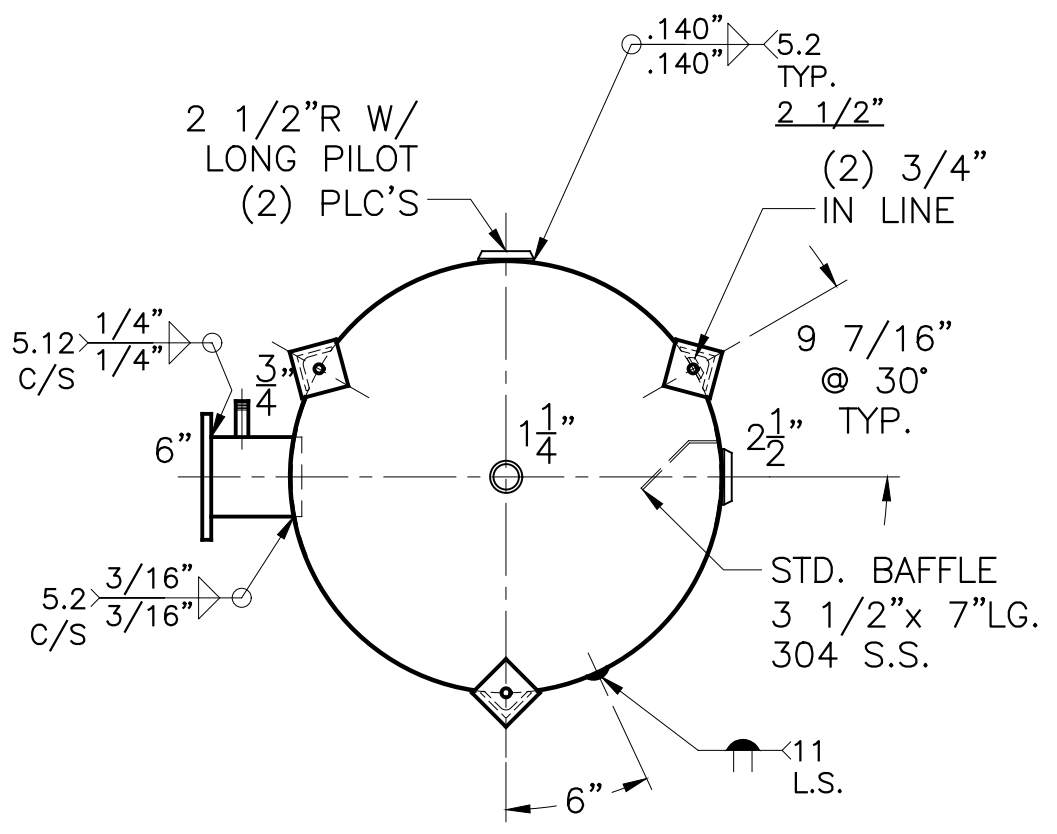


(3) 2 1/2" x 2 1/2" x 1/4" THK. x 20 7/8" LG. ANGLE LEG

(3) 4" x 4" x 3/8" THK. PAD W/ 7/8" Ø HOLE FOR 5/8" Ø x 8" LG. BOLTS GRADE 5 OR BETTER 6" EMBEDMENT



SHELL / HEADS	
.140" SA-414-G	2:1 S.E.
JOGGLE - .149 OFFSET	
M.A.W.P. 150 PSIG. @ 210 °F	
ASME SECTION IV 2007 ADD. 2009	
X-RAY: RT-NO / H.L.W.	
GALLONS: 260	WT. 545 LBS.
SERIAL NO.	
N.B.	

NOTE: 1) ALL PIPES SA-312-304 E.R.W.
 2) 1"-3000# F.C. ON TOP-304 S.S.
 3) HYDRO @ 225 PSIG. MIN. TO 235 PSIG. MAX.
 4) SHIP LOOSE W/ (1) 1 5/16" x 48" LG. FLEX. MAG. ANODE.

WN-099-B	
FOR: VERT. HOT WATER TANK	REV. DATE: 11-23-10
SURFACE AREA = 57.5 SQ. FT.	
INSIDE: GLASS LINED	
OUTSIDE: S. BLAST & PRIME	
LEG-ZONE 4-15 KM.	
BY: E.S. / C.J.	SCALE: 3/4"=12"
ROY E. HANSON JR. MFG.	
1600 E. WASHINGTON BLVD. LOS ANGELES, CA 90021	