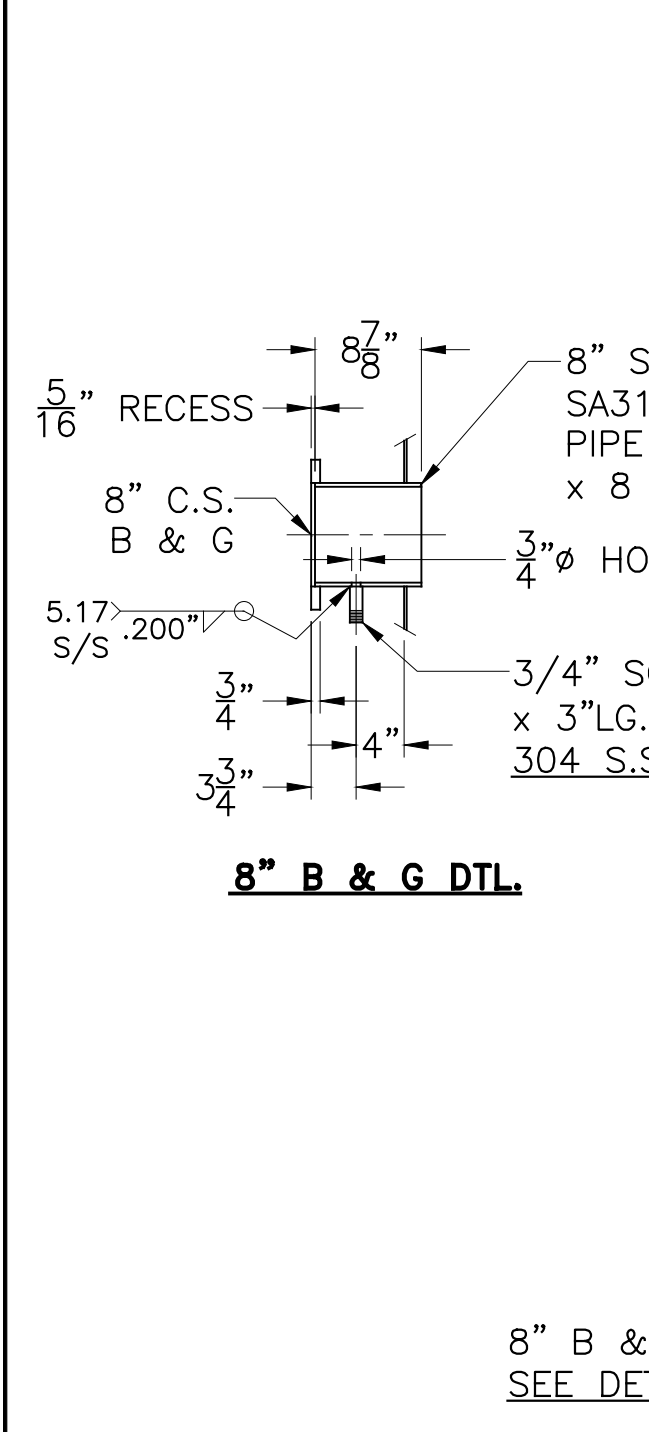


DATE	BY
2-2-17	JG



SHELL / HEADS	
JOGGLE	.250" SA-414-G 2:1 S.E.
M.A.W.P.	125 PSIG. @ 180 °F
M.D.M.T.	-20 @ °F 125 PSIG.
ASME SECTION	VIII DIV. 1, 2015
X-RAY:	RT-NO
GALLONS:	500 WT. 1086 LBS.
SERIAL NO.	
N.B.	

WM-931-B	REV. 2-2-17
FOR:	DATE: 4-12-10
VERT. HOT WATER TANK	
SURFACE AREA = 85.2 SQ. FT.	
INSIDE: EPOXY LINED	
OUTSIDE: PRIME	
LEG-ZONE 1-15 KM.	
BY: J.G./R.V.	SCALE: 3/4"=12"
ROY E. HANSON JR. MFG.	
1600 E. WASHINGTON BLVD.	
LOS ANGELES, CA 90021	

