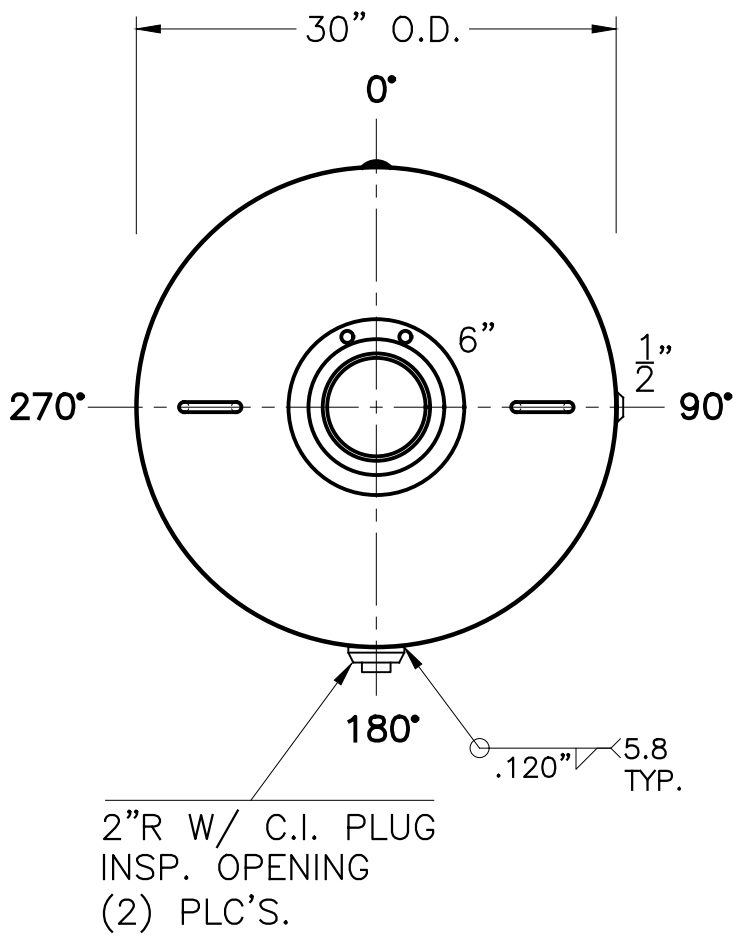
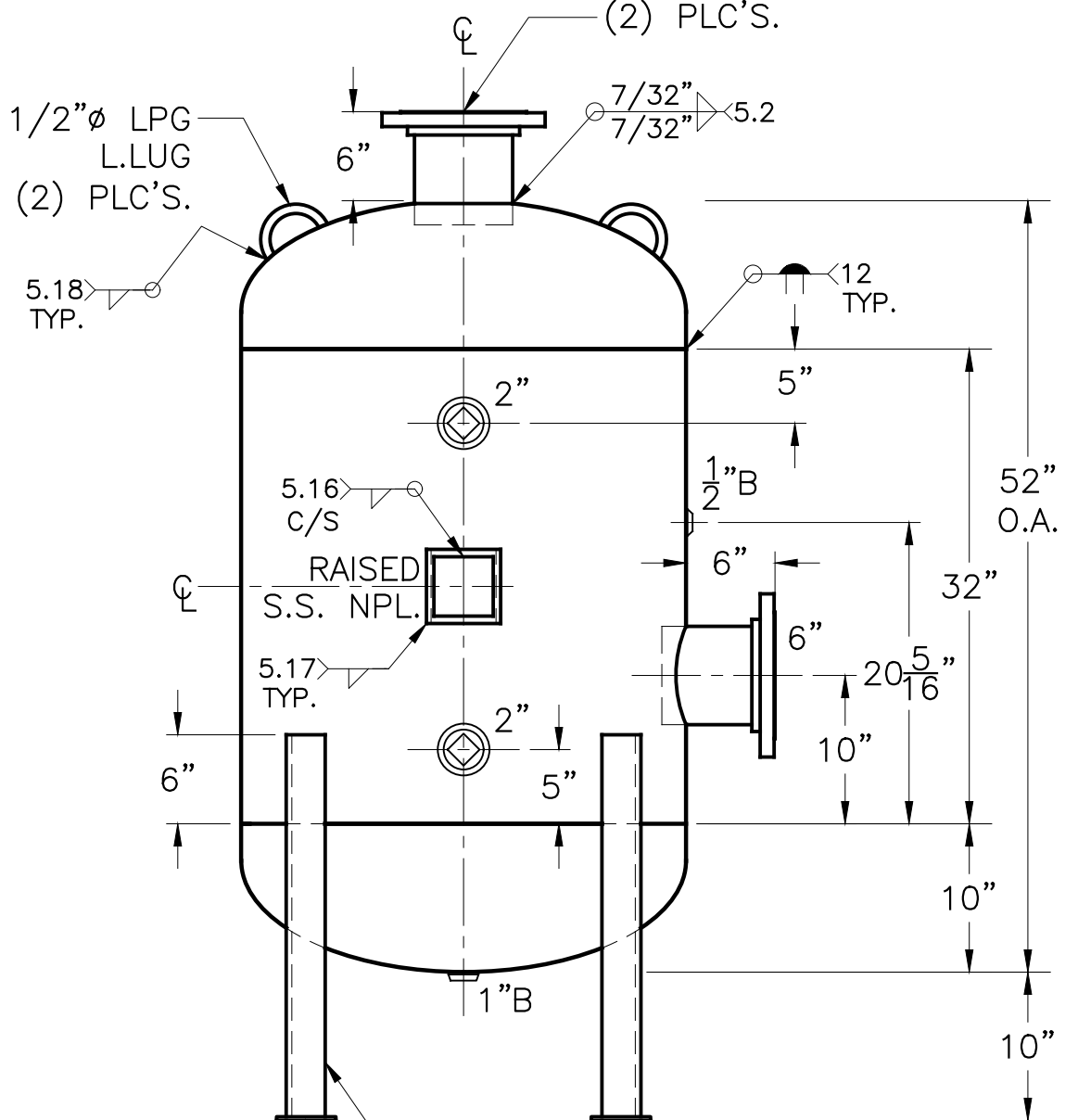


DATE	BY
11-26-12	RH
4-24-14	RH
5-1-15	RH

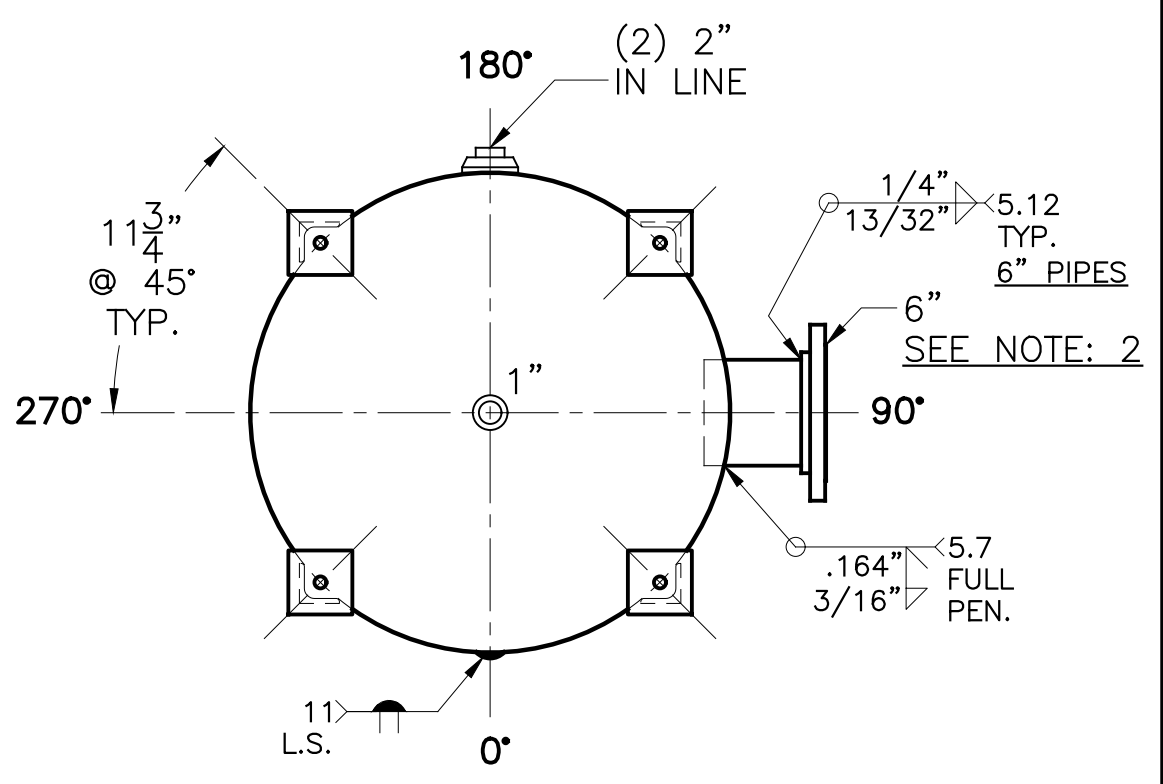


2" R W/ C.I. PLUG
INSP. OPENING
(2) PLC'S.

6"-150# R.F.S.O.
FLG. W/ SCH. 40
SA-106-B
PIPE x 7 5/8" LG.
(2) PLC'S.



(4) 2 1/2" x 2 1/2" x 3/16" THK.
x 25 3/4" LG. ANGLE LEGS
(4) 4" x 4" x 1/4" THK.
PAD W/ 7/8" Ø HOLE



NOTE: 1) 2) INSTALL 6" IN SHELL AFTER G.S. ARE WELDED.
HYDRO @ 163 PSIG. MIN.

SHELL / HEADS		.200" SA-455 2:1 S.E.	
JOGGLE			
M.A.W.P.	125 PSIG. @ 200 °F		
M.D.M.T.	-20 °F @ 125 PSIG.		
ASME SECTION VIII DIV. 1, 2013			
X-RAY:	RT-NO	WT.	390 LBS.
GALLONS:	140		
SERIAL NO.			
N.B.			
FOR: VERT. WATER TANK		WM-233-B	REV. 5-1-15
SURFACE AREA = 37.8 SQ. FT.			DATE: 3-17-08
INSIDE: UNPAINTED			
OUTSIDE: PRIME			
LEG-ZONE 3-15 KM.			
BY: E.S. / STEVE SCALE: 1"=12"			
ROY E. HANSON JR. MFG.			
1600 E. WASHINGTON BLVD.			
LOS ANGELES, CA 90021			