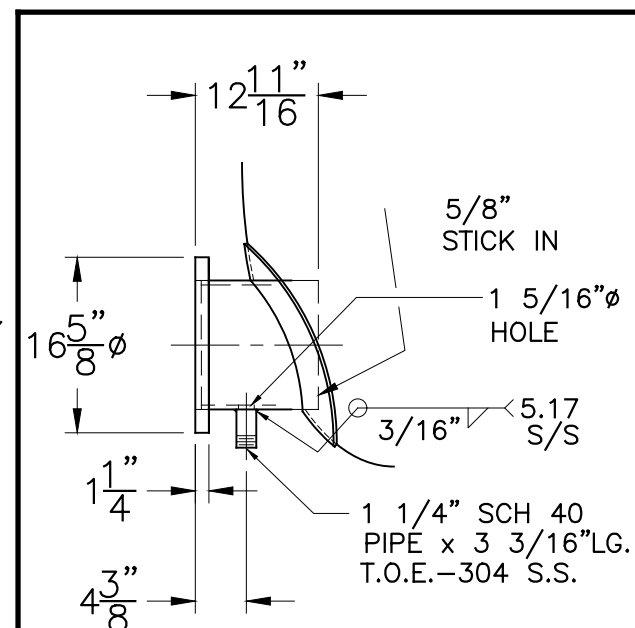


VIEW W/OUT SUPT'S



12" B. & G. DETAIL

- 6) 5-6-04 PROOF TEST.  
5) NO CEMENT IN 12" S.S. COLLAR.  
4) CUST. TO INSTALL NEW B. & G. 12x 84 BUNDLE.  
3) EXTEND ALL CPLGS. 5/8" INSIDE.  
2) HYDRO @ 188 PSIG. MIN. TO 197 PSIG. MAX.  
NOTE: 1) SEAL ALL OPENINGS TO KEEP CEMENT MOIST TO PREVENT CRACKING.

SHELL / HEADS	.248" SA-455 2:1 S.E. (.219" MIN.)	
	.218" SA-455	
M.A.W.P. 125 PSIG. @ 210 °F		
ASME. SECTION IV 2001 ADD 2003		
X-RAY: RT-NO / H.L.W.		
GALLONS: 1400		WT. 3440 LBS.
SERIAL NO.		
N.B.		

<b>WK-820-B</b>		REV.
		DATE: 9-1-04
FOR: <b>HORIZ. HOT WATER TANK.</b>		
183.7 SQ. FT. SURFACE AREA. THIS TANK IS SHIPPED WITH ALL OPENINGS SEALED. THE CEMENT LINING MUST BE KEPT MOIST BEFORE, DURING, AND AFTER INSTALLATION TO PREVENT CRACKING OF THE CEMENT.		
INSIDE: CEMENT LINED		
OUTSIDE: PRIME		
BY: J.G./B.C.		SCALE: 1/2"=12"
<b>ROY E. HANSON JR. MFG.</b>		
1924 COMPTON AVE. LOS ANGELES, CA 90011		