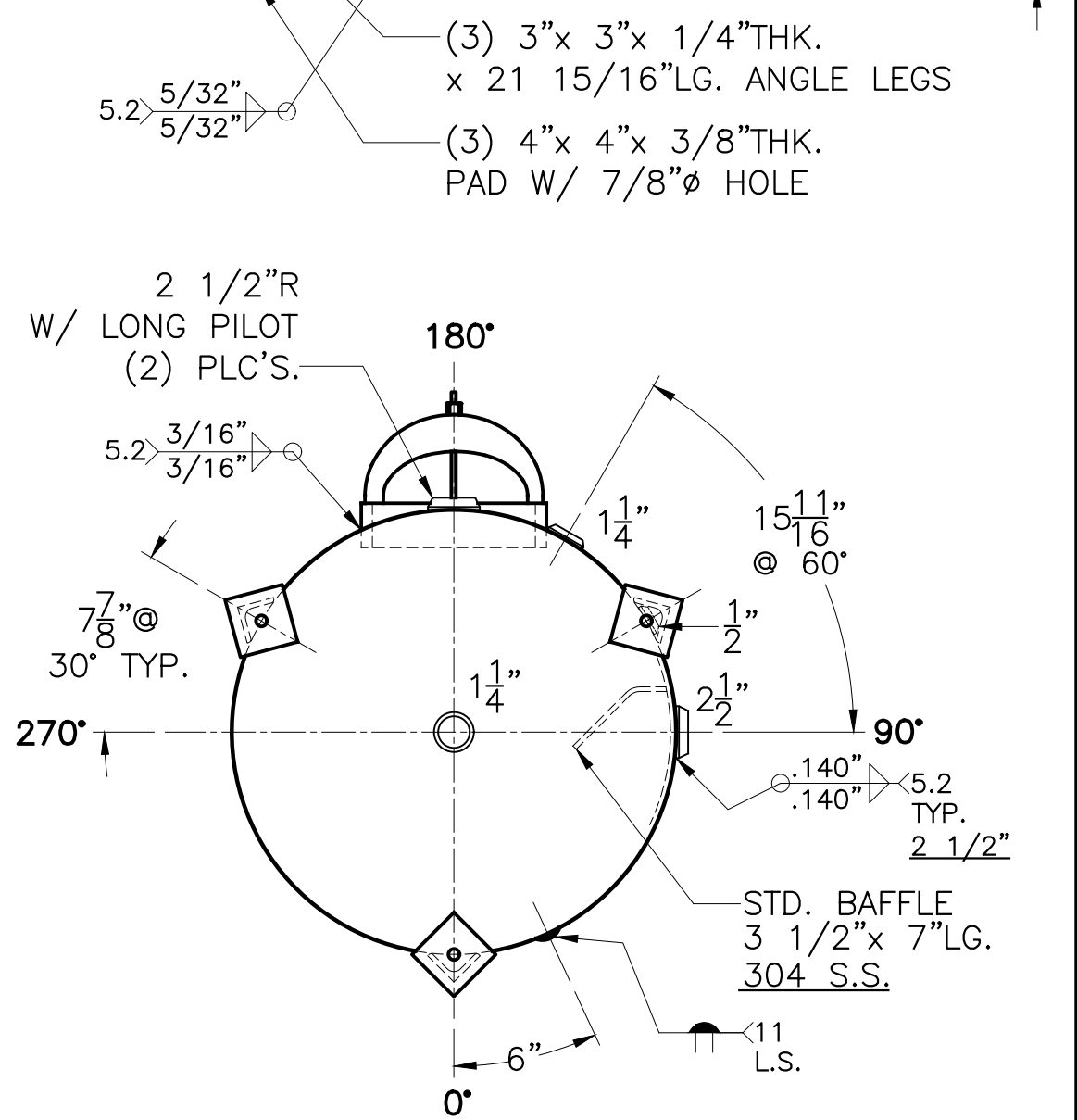
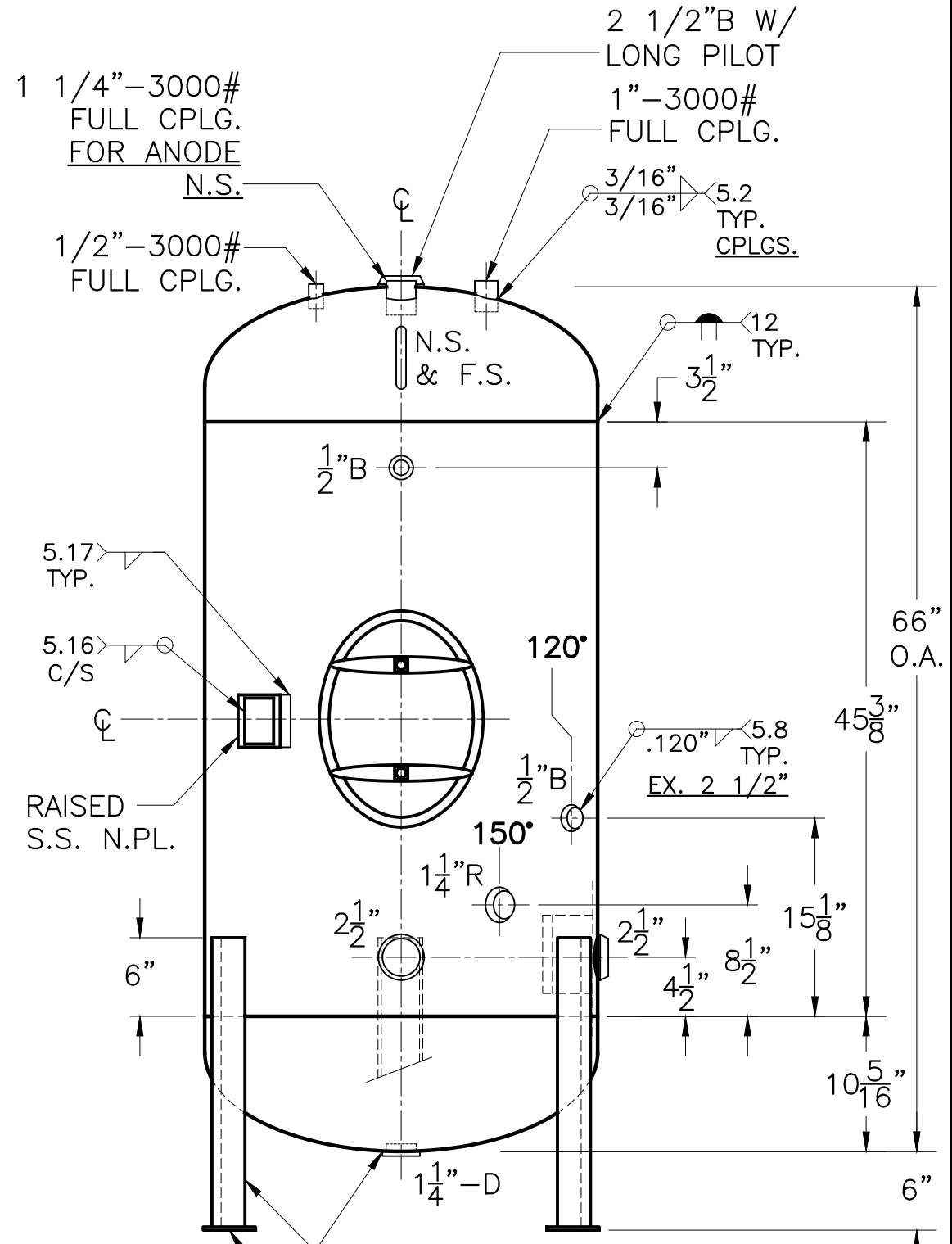
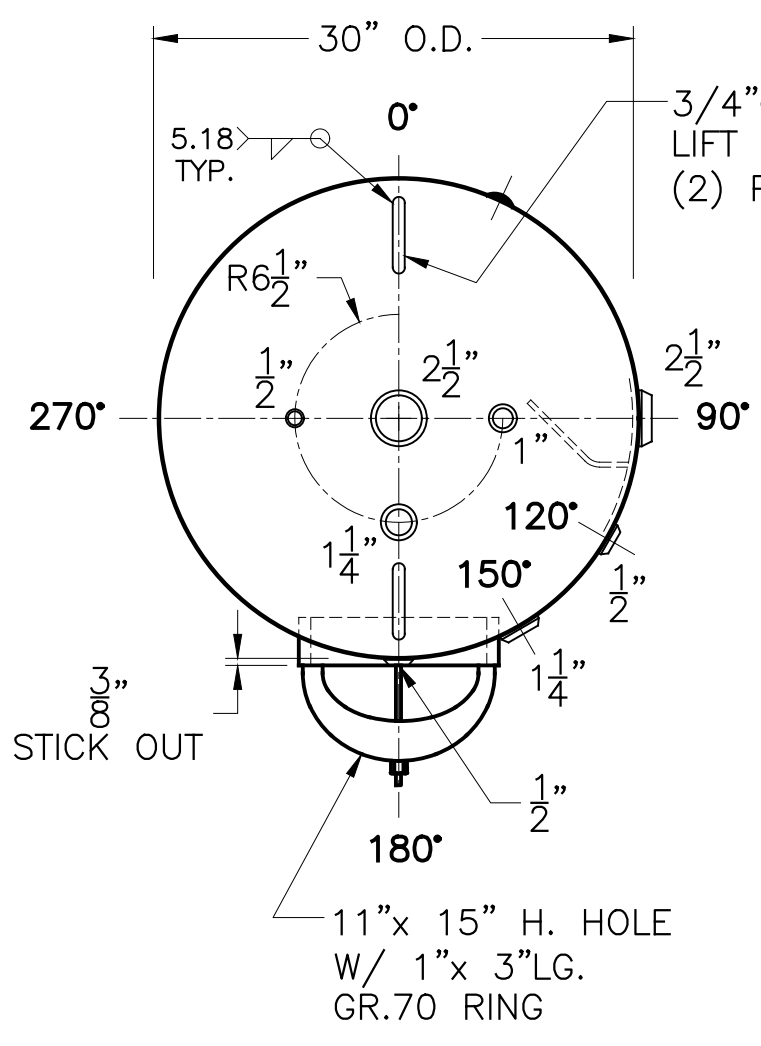


JOB No. \_\_\_\_\_  
 DATE: \_\_\_\_\_



ASME SECTION IV 2013	M.A.W.P. 125 PSIG. @ 210 °F	SHELL / HEADS
X-RAY: RT-NO / H.L.W.		JOGGLE
GALLONS: 189		.166" SA-414-G 2:1 S.E.
SERIAL NO.		
N.B.		

NOTE: 1) SHIP LOOSE W/ (1) 1 5/16" x 48" LG. FLEX MAG. ANODE.  
 2) HYDRO @ 188 PSIG. MIN. TO 197 PSIG. MAX.

LEG ZONE: 4-15 KM.	FOR: VERT. HOT WATER TANK	WK-726-B
BY: J.G./H.D.	SURFACE AREA = 46.4 SQ. FT.	REV. 7-5-19
SCALE: 1" = 12"	INSIDE: GLASS LINED	DATE: 6-26-04
ROY E. HANSON JR. MFG.	OUTSIDE: SAND BLAST AND PRIME	
LOS ANGELES, CA 90021	(5 MIL MIN.)	