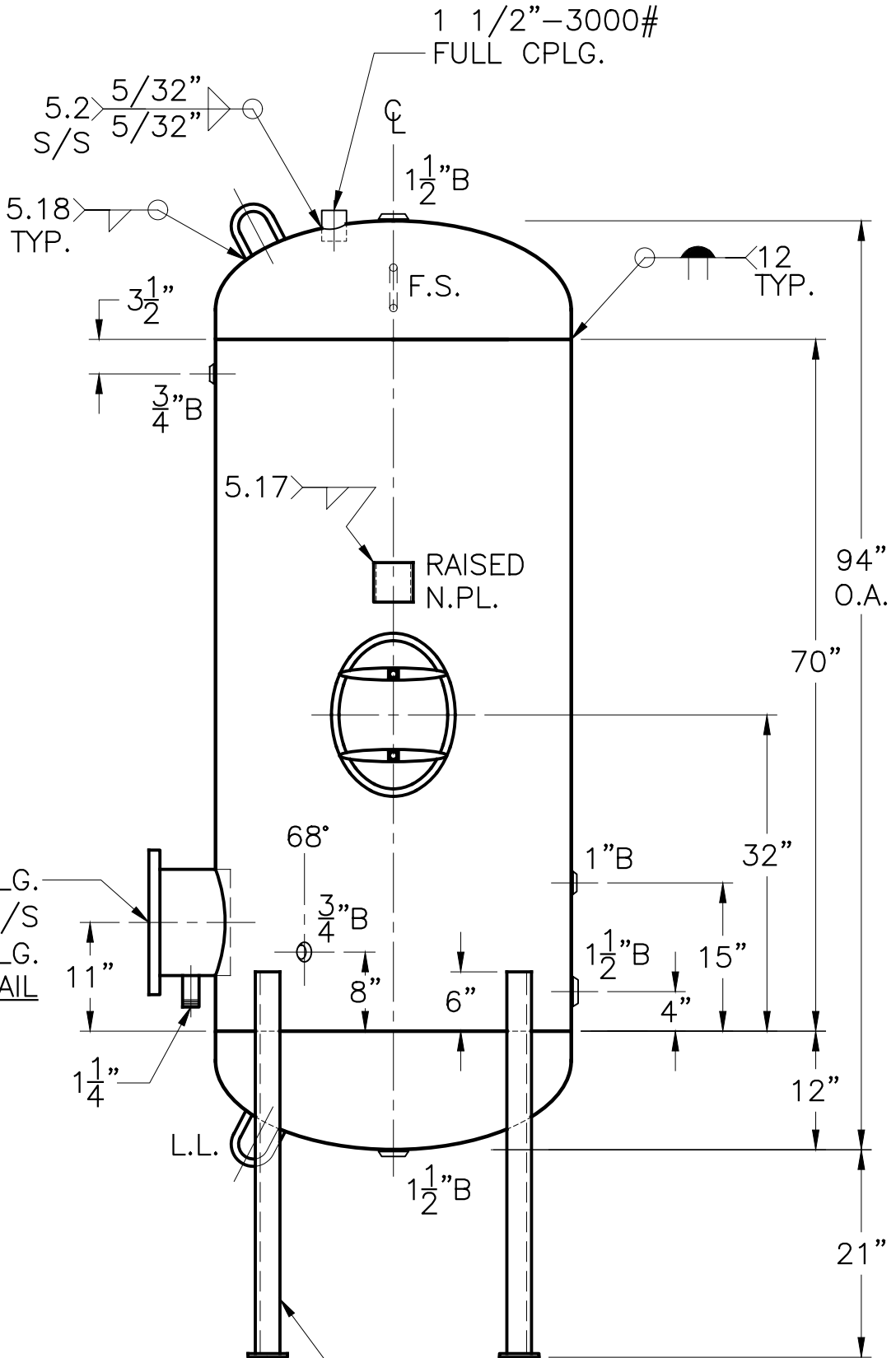
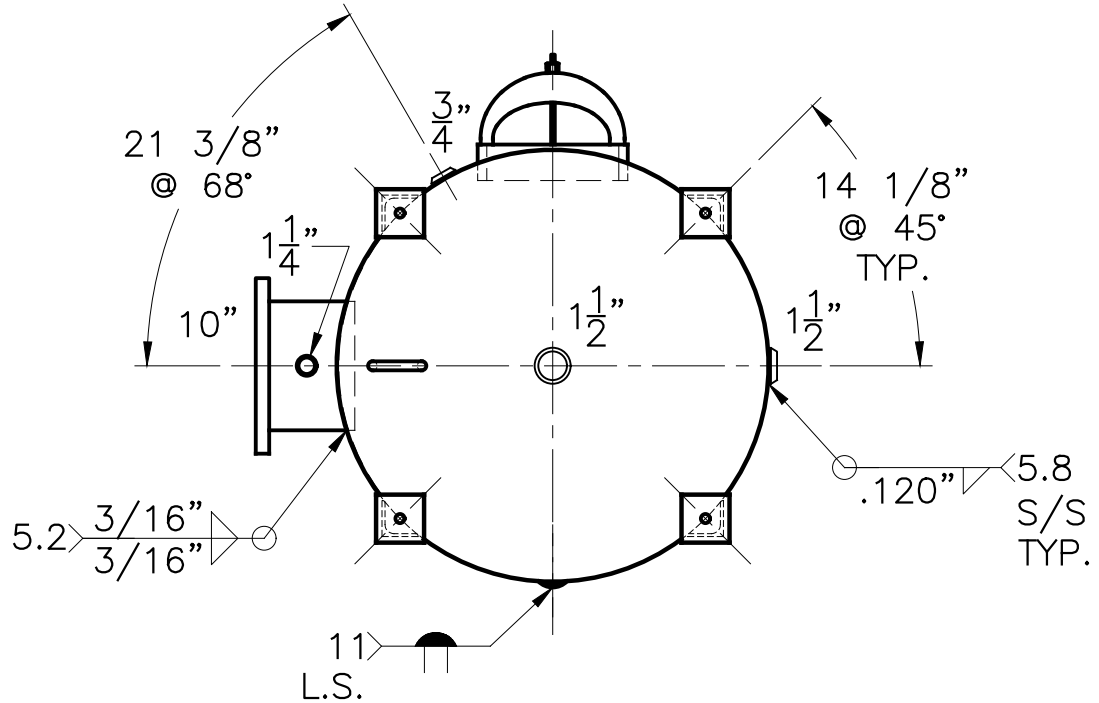


10" B & G C/S FLG.  
W/ SCH. 40 (.365") C/S  
STOCK COLLAR x 8 1/4" LG.  
SEE DETAIL



(4) 3"x 3"x 3/8" THK.  
x 38 5/8" LG. ANGLE LEGS  
(4) 4"x 4"x 3/8" THK.  
PAD W/ 3/4" Ø HOLE



NOTE: 1) ALL BONY'S & CPLGS. SA-182-304 S.S.  
2) HYDRO @ 163 PSIG. MIN.

SHELL / HEADS	
JOGGLE	.182" SA-455 2:1 S.E.
M.A.W.P.	125 PSIG. @ 180 °F
M.D.M.T.	-20 °F @ 125 PSIG.
ASME. SECTION VIII	DIV. 1, 2001 ADD 2003
X-RAY:	RT-NO
GALLONS:	381 WT. 812 LBS.
SERIAL NO.	
N.B.	

<b>WK-699-B</b>	REV: 6-8-04
FOR: VERT. WATER TANK	
SURFACE AREA = 78.3 SQ. FT.	
INSIDE: EPOXY LINED	
OUTSIDE: PRIME & R-16	
LEG-ZONE 4-15 KM.	
BY: E.S. / H.D. SCALE: 3/4"=12"	
<b>ROY E. HANSON JR. MFG.</b>	
1924 COMPTON AVE.	
LOS ANGELES, CA 90011	