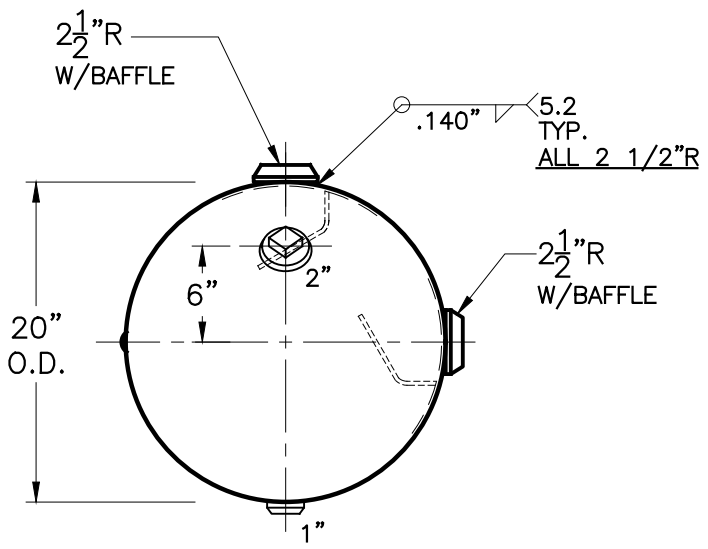


NOTE: 1) HYDRO @ 195 PSIG. MIN.
 2) ALL (4) 2 1/2" R SHORT PILOT - MACHINE TO 3 3/8" O.D.



SHELL / HEADS	.135" SA-414-G 2:1 S.E.	
	JOGGLE - .159 OFFSET	
SHELL / HEADS	.149" SA-414-G	
M.A.W.P. 150 PSIG. @ 250 °F		
M.D.M.T. -20 °F @ 150 PSIG.		
ASME. SECTION VIII DIV. 1, 2013		
X-RAY: RT-NO		
GALLONS: 60		WT. 160 LBS.
SERIAL NO.		
NB		

WK-565-A	REV. 12-24-13
	DATE: 3-23-04
FOR: HANSON STANDARD BUFFER TANK	
INSIDE: UNPAINTED	
OUTSIDE: PRIME	
BY: J.G.	SCALE: 1"=12"
ROY E. HANSON JR. MFG.	
1600 E. WASHINGTON BLVD. LOS ANGELES, CA 90021	