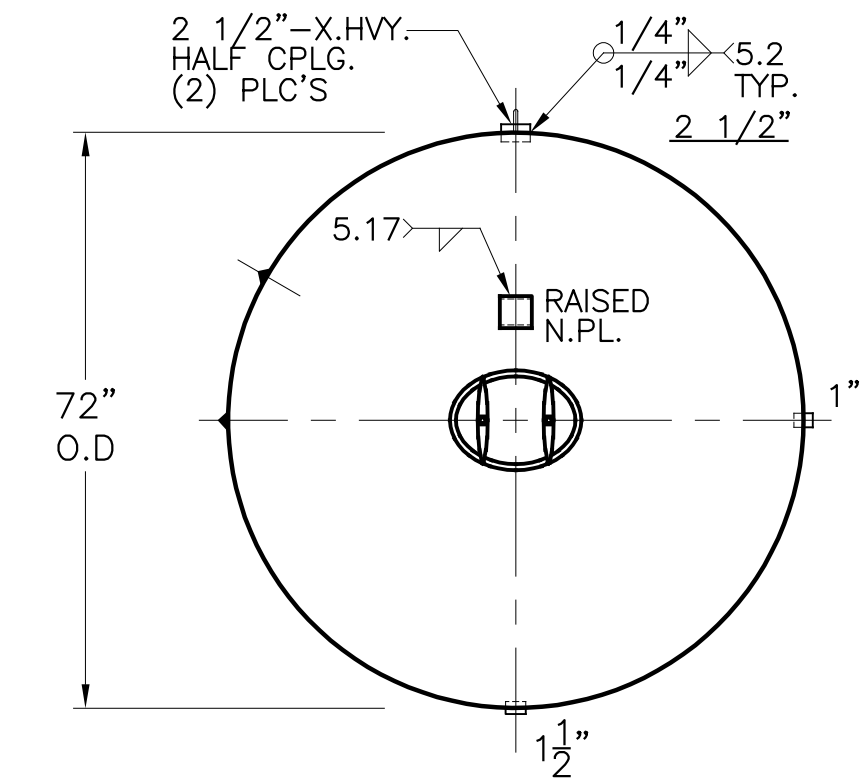
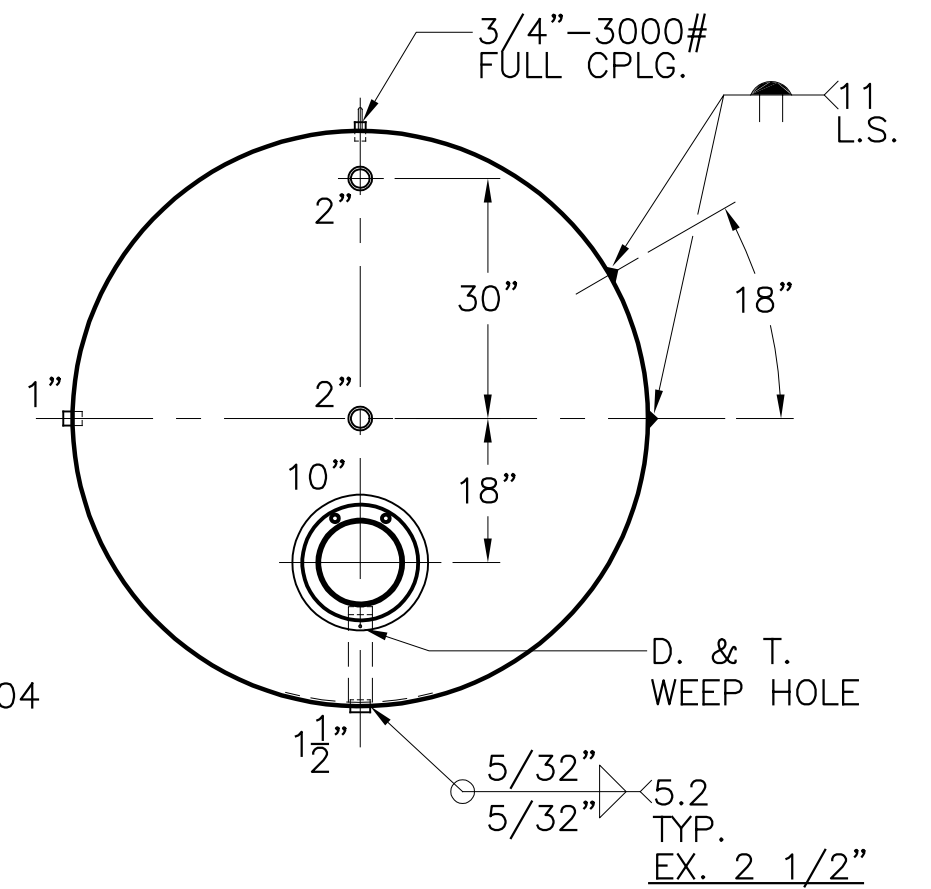


2"-3000# FULL CPLG.
 2"-3000# HALF CPLG.
 9/32" .240" PAD 5.4 C/S
 9/32"
 10" B. & G. C.S. FLG. W/.250"THK. SA-312-304 E.R.W. S.S. COLLAR x 11"LG. W/240"THK. SA-455 x 17φ PAD W/ 10 x 84 TUBE BUNDLE



- 4) ALL CPLG'S W/5/8" STICK-IN.
- 3) INSTALLED CUSTOMER SUPPLIED BUNDLE.
- 2) SHIP LOOSE WITH (1) PAIR 72" STYLE "A" SADDLES.
- NOTE. 1) HYDRO @ 188 PSIG. MIN. TO 197 PSIG. MAX.

SHELL / HEADS	.280" SA-455 2:1 S.E.	WI-558-B	REV.
			DATE: 4/5/00
		FOR:	
		HORIZ. WATER TANK.	
		SURFACE AREA = 245.6 SQ.FT.	
		INSIDE: CEMENT LINED	
		OUTSIDE: PRIME	
		BY: J.G. / C.J. SCALE: 1/2"=12"	
		ROY E. HANSON JR. MFG.	
		1924 COMPTON AVE. LOS ANGELES, CA 90011	
	M.A.W.P. 125 PSIG. @ 210 °F		
	ASME. SECTION IV 1998 ADD 1999		
	X-RAY: RT-NO / H.L.W.		
	GALLONS: 2285	WT. 5500 LBS.	
	SERIAL NO.		
	N.B.		