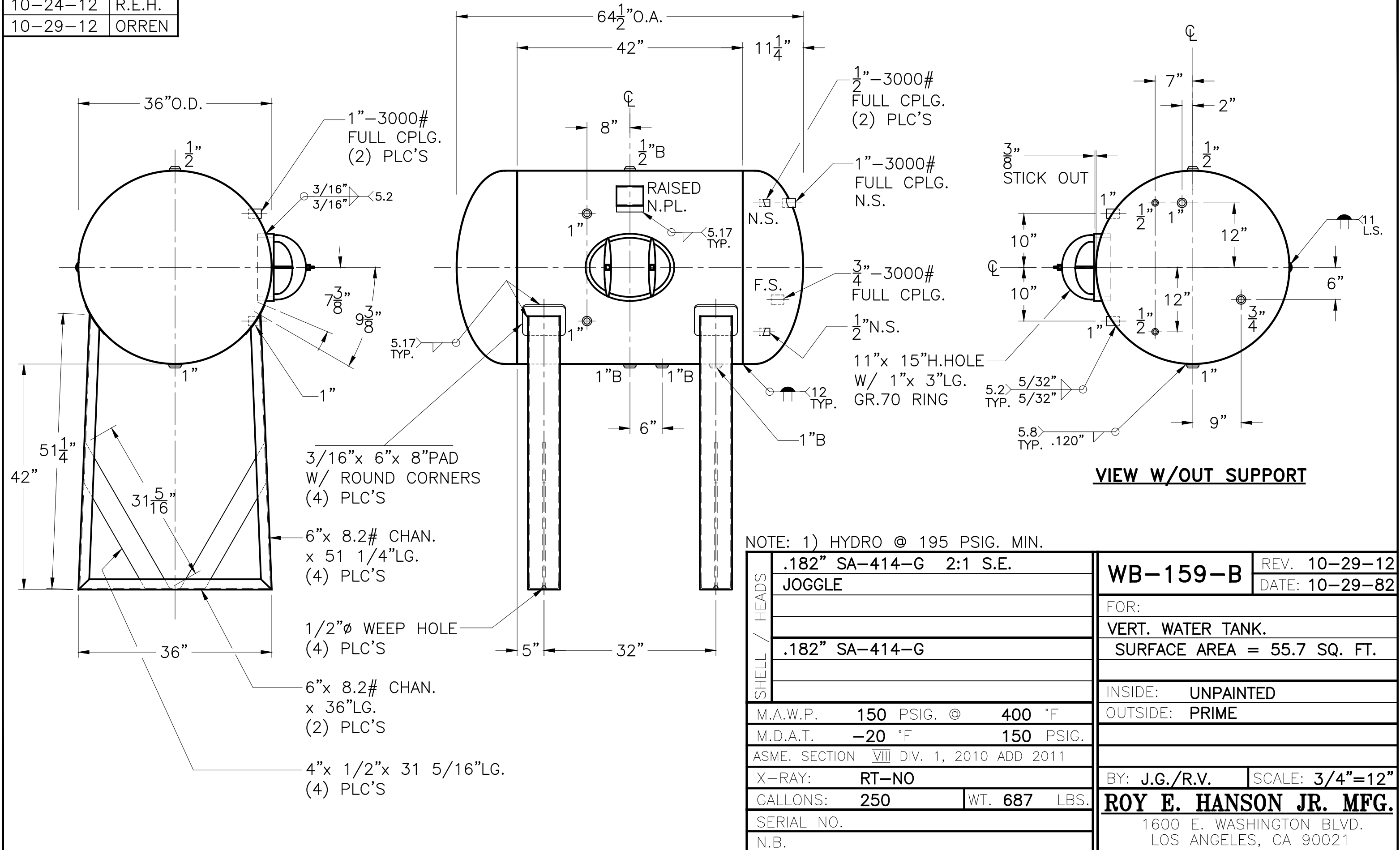


DATE	BY
10-24-12	R.E.H.
10-29-12	ORREN



NOTE: 1) HYDRO @ 195 PSIG. MIN.

HEADS	.182" SA-414-G 2:1 S.E.	
	JOGGLE	
SHELL	.182" SA-414-G	
	M.A.W.P. 150 PSIG. @ 400 °F	
M.D.A.T. -20 °F 150 PSIG.		
ASME. SECTION VIII DIV. 1, 2010 ADD 2011		
X-RAY: RT-NO		
GALLONS: 250		WT. 687 LBS.
SERIAL NO.		
N.B.		

WB-159-B	REV. 10-29-12
	DATE: 10-29-82
FOR:	
VERT. WATER TANK.	
SURFACE AREA = 55.7 SQ. FT.	
INSIDE: UNPAINTED	
OUTSIDE: PRIME	
BY: J.G./R.V.	SCALE: 3/4"=12"
ROY E. HANSON JR. MFG.	
1600 E. WASHINGTON BLVD. LOS ANGELES, CA 90021	