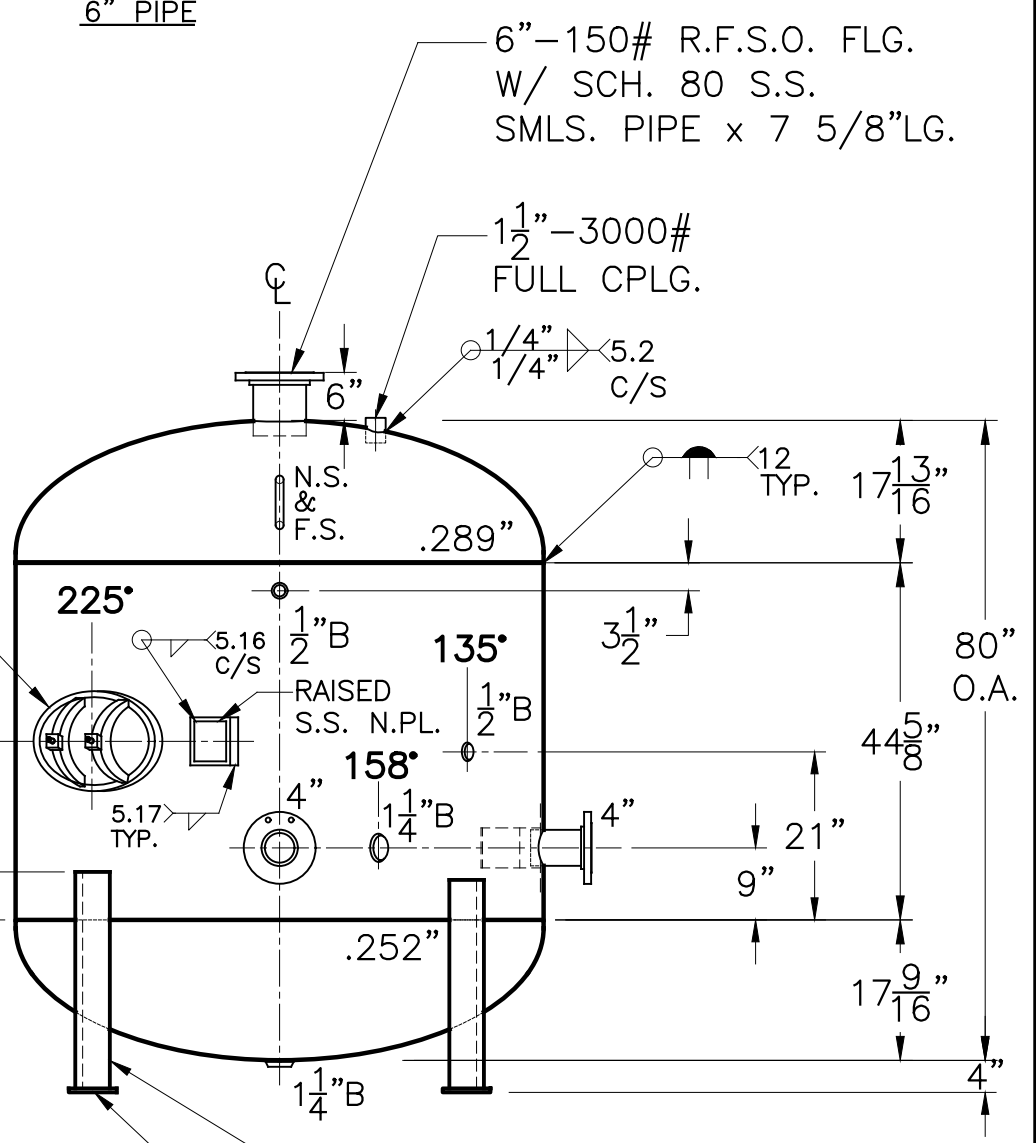
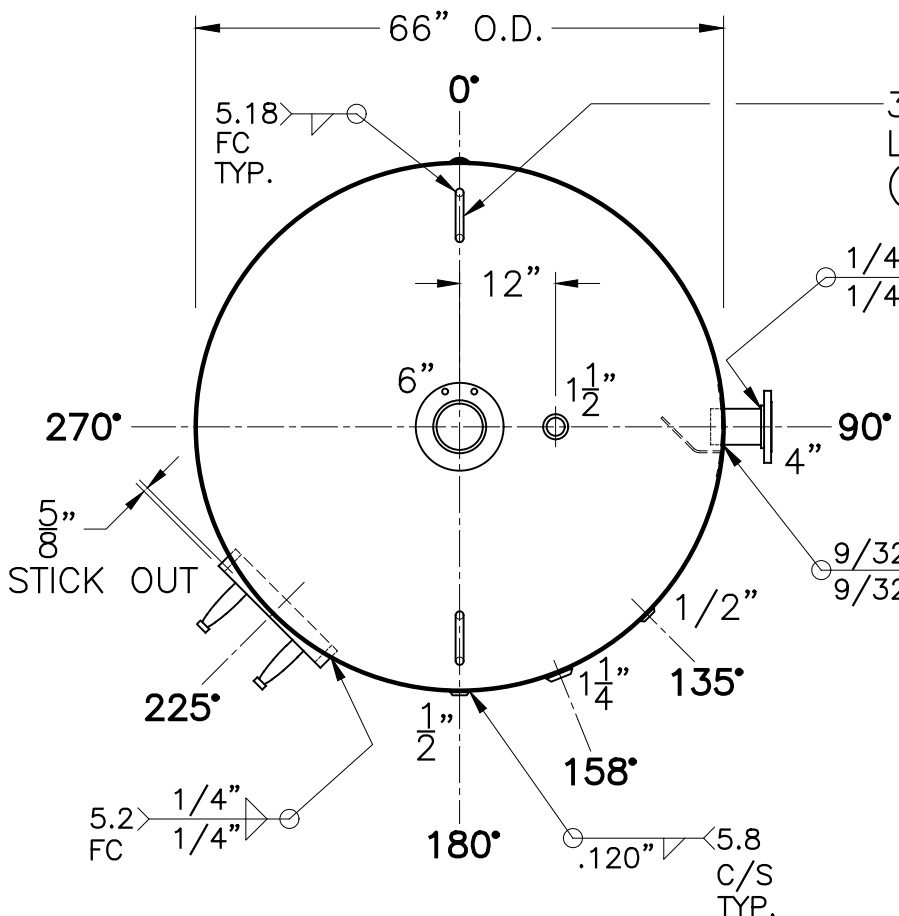


DATE	BY
7-14-17	JG



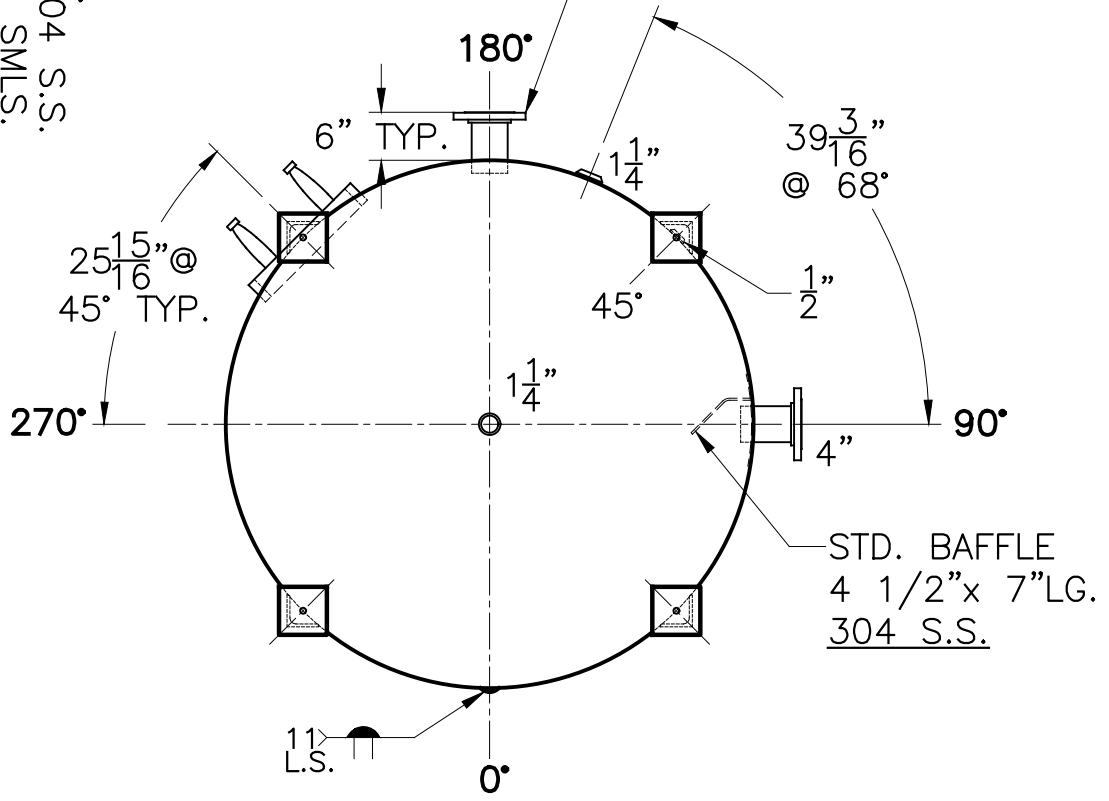
11"x 15" H.HOLE  
W/ 3/4" x 3" LG.  
GR.70 RING

(4) 4"x 4"x 3/8" THK.  
x 27 1/16" LG. ANGLE LEGS

(4) 6"x 6"x 1/2" THK.  
PAD W/ 7/8" Ø HOLE

4"-150# R.F.S.O. FLG.  
W/ SCH. 80 S.S.  
SMLS. PIPE x 7 5/16" LG.  
(2) PLC'S.

- NOTE: 1) 3-26-04 PROOF TEST.  
2) ALL FNPT'S SA-182-304 S.S.  
3) ALL PIPE SA-312-304 SMLS.  
4) HYDRO @ 188 PSIG. MIN. TO 197 PSIG. MAX.



STD. BAFFLE  
4 1/2" x 7" LG.  
304 S.S.

SHELL / HEADS	
TOP .289" SA-455 2:1 S.E.	(.251" MIN.)
BTM .252" SA-455 2:1 S.E.	(.222" MIN.)
.250" SA-455	
M.A.W.P. 125 PSIG. @ 180 °F	
ASME SECTION IV 2015	
X-RAY: RT-NO / H.L.W.	
GALLONS: 1000	WT. 1892 LBS.
SERIAL NO.	
N.B.	

WP-324-B	REV.
DATE: 7-14-17	
FOR: VERT. HOT WATER TANK	
SURFACE AREA = 133.3 SQ. FT.	
INSIDE: EPOXY LINED	
OUTSIDE: S. BLAST, EPOXY	
(RAL 5012) LIGHT BLUE	
LEG ZONE: 2A-15 KM.	
BY: J.G./R.V.	SCALE: 1/2"=12"
ROY E. HANSON JR. MFG.	
LOS ANGELES, CA 90021	