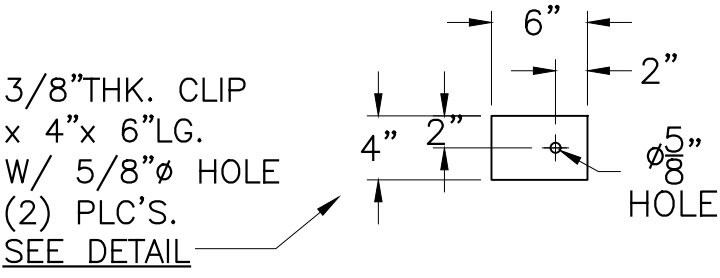
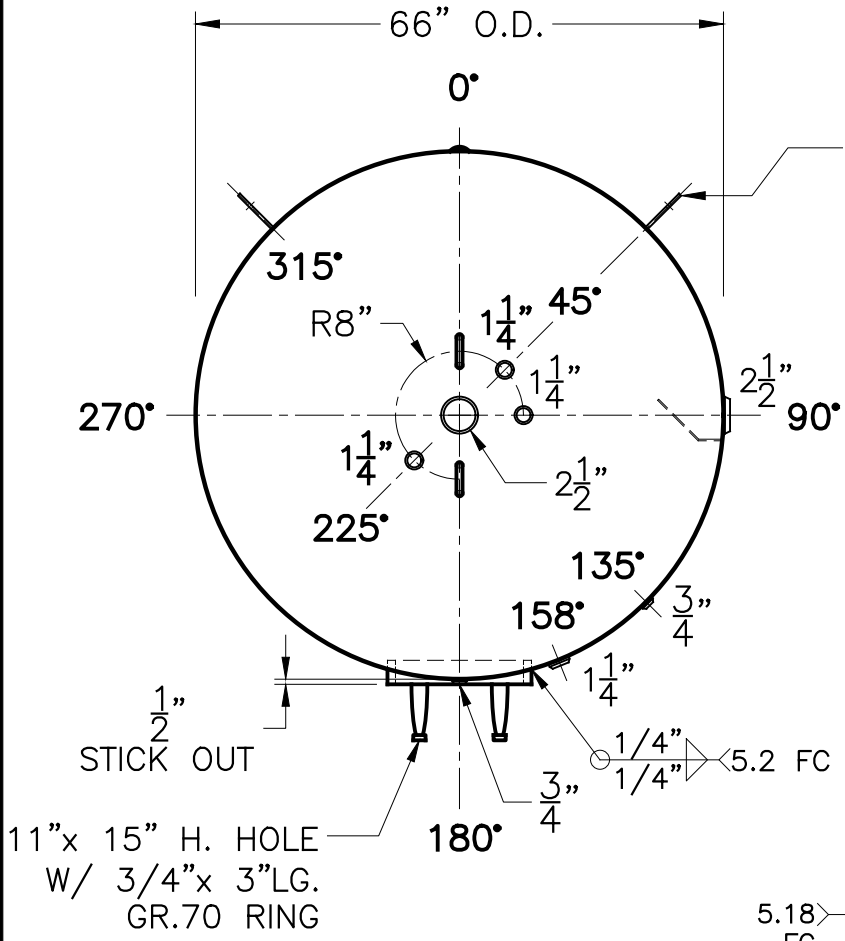
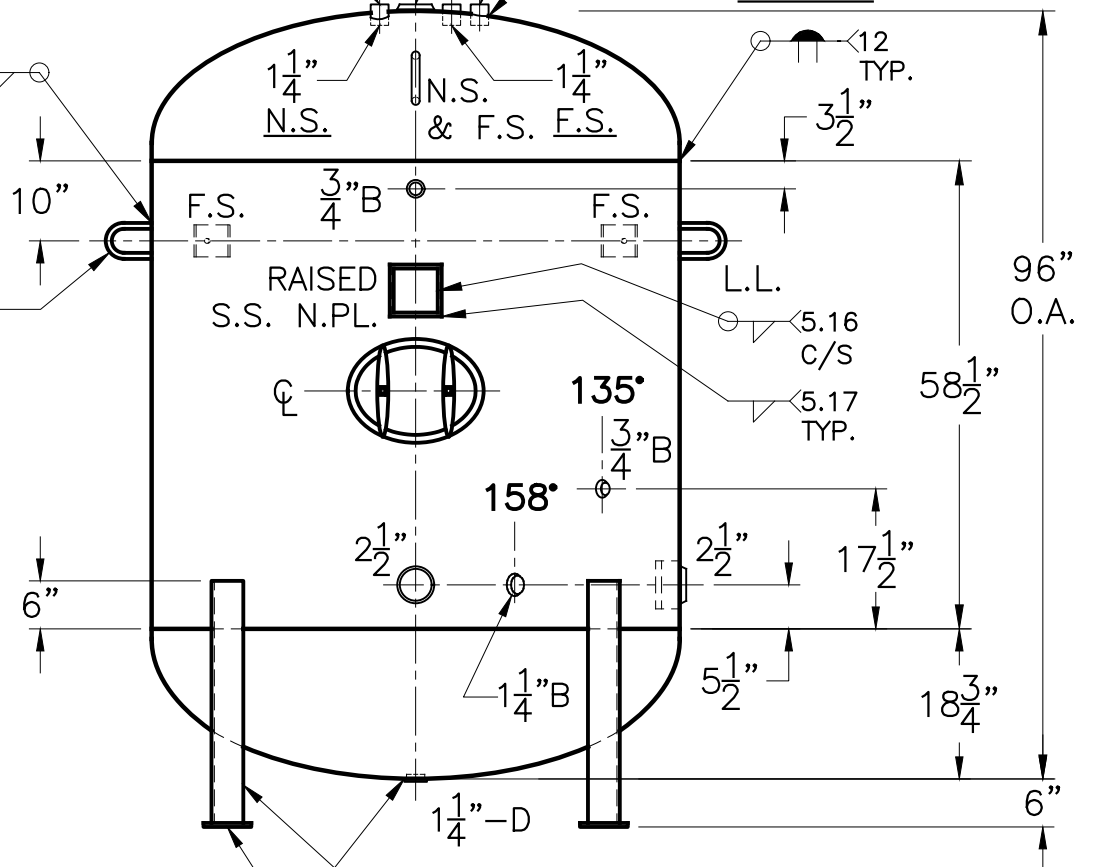


DATE	BY
8-29-14	RH
9-10-14	RH

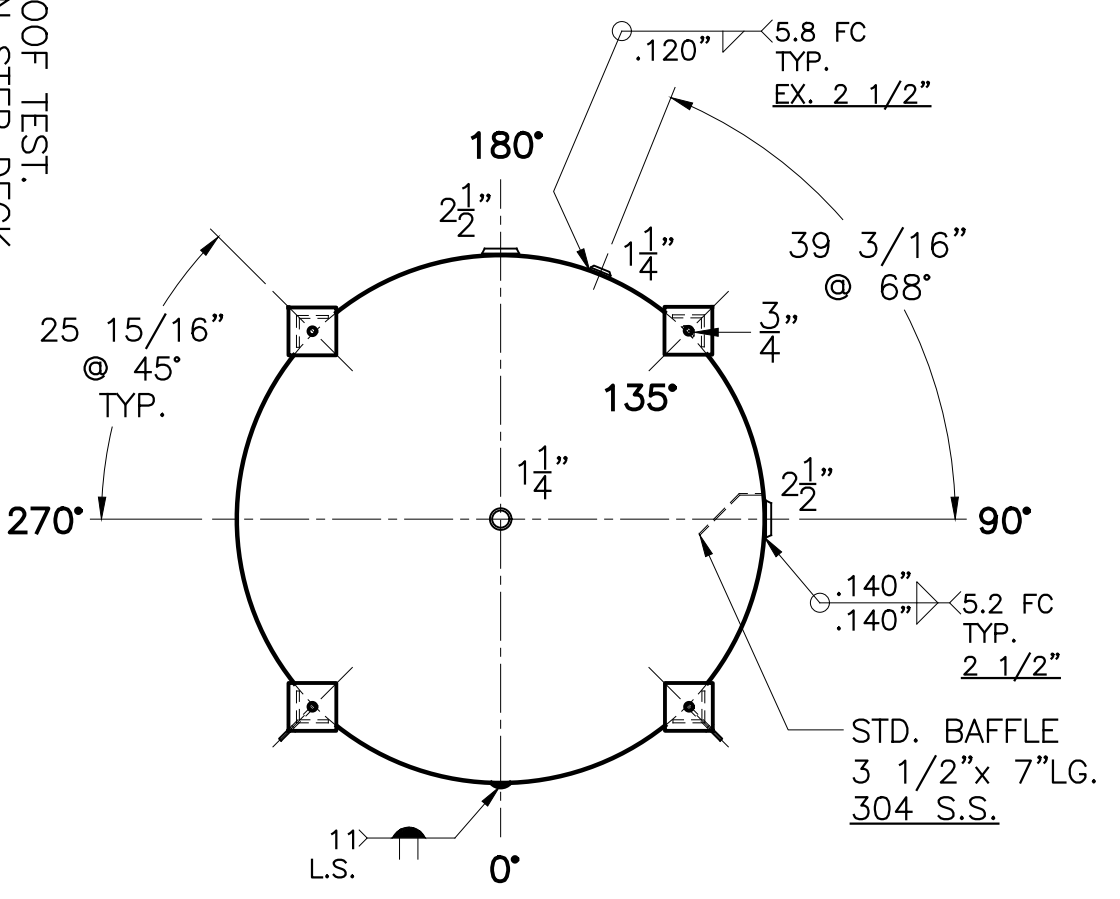


2 1/2" B W/  
LONG PILOT  
(3) PLC'S.  
1 1/4"-3000#  
FULL CPLG.  
FOR P & T  
1 1/4"-3000#  
FULL CPLG.  
(2) PLC'S.  
FOR ANODES



SHELL / HEADS	
.250" SA-455	2:1 S.E.
(.234" MIN.)	
.262" SA-455	
M.A.W.P. 125	PSIG. @ 210 °F
ASME. SECTION IV	2013
X-RAY: RT-NO / H.L.W.	
GALLONS: 1260	WT. 2226 LBS.
SERIAL NO.	
N.B.	

NOTE: 1) HYDRO @ 188 PSIG. MIN. TO 197 PSIG. MAX.  
2) SHIP LOOSE W/ (2) 1 5/16" x 72" LG. FLEX. MAG. ANODES.  
3) SHIP TANK ON STEP DECK.  
4) 3-26-04 PROOF TEST.



<b>WO-334-B</b>	
FOR: VERT. WATER TANK	REV: 9-10-14
SURFACE AREA = 154.8 SQ. FT.	DATE: 8-28-14
INSIDE: GLASS LINED	
OUTSIDE: S. BLAST, PRIME & FIBERGLASS W/ ALUMINUM JACKET	
LEG-ZONE 3-15 KM.	
BY: E.S. / B.C. SCALE: 1/2"=12"	
<b>ROY E. HANSON JR. MFG.</b>	
1600 E. WASHINGTON BLVD. LOS ANGELES, CA 90021	