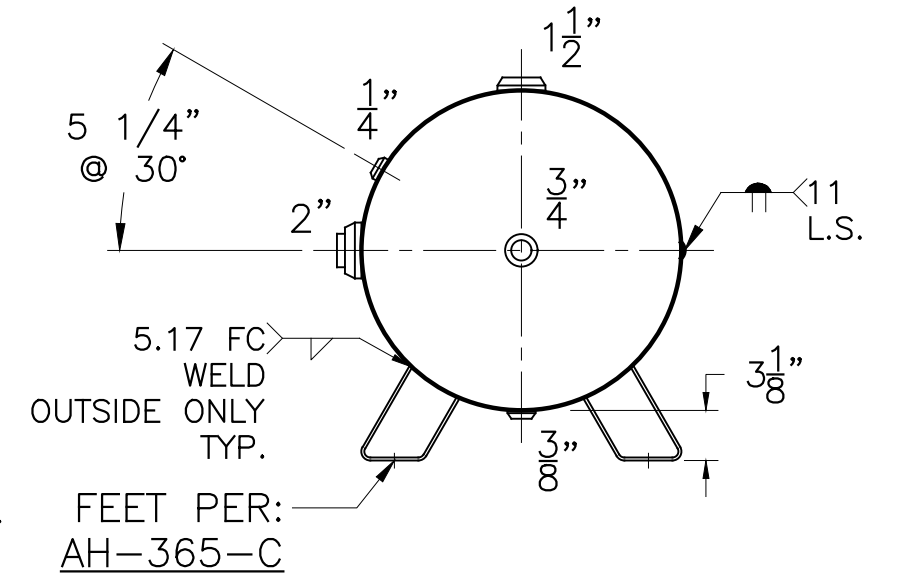
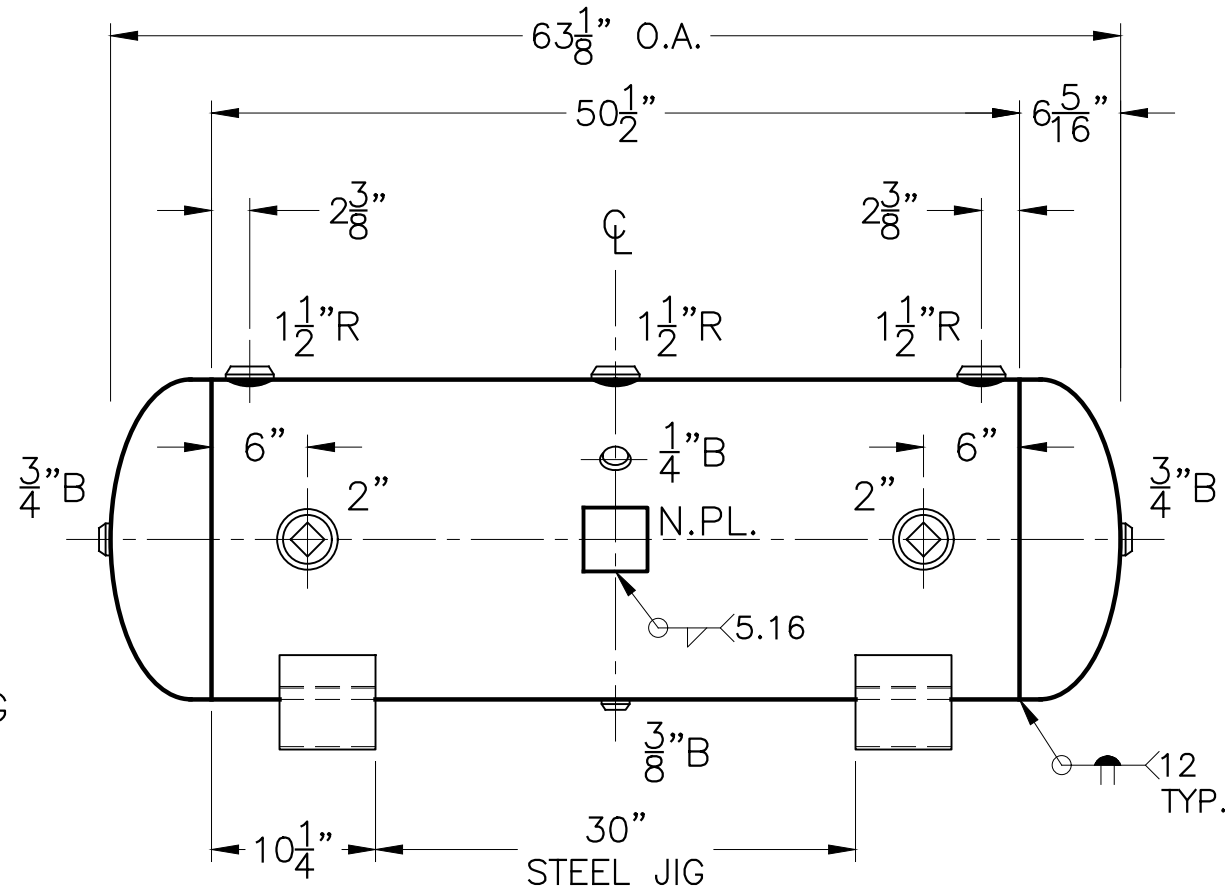


VIEW W/O SUPPORTS

2"R (10"R)
W/ C.I. PLUG
INSP. OPENING
(2) PLC'S.



5.17 FC
WELD
OUTSIDE ONLY
TYP.
FEET PER:
AH-365-C

NOTE: 1) HYDRO @ 450 PSIG. MIN.

SHELL / HEADS	.250" SA-455 2:1 S.E.	HD-80-F	REV.
	JOGGLE	ABS & USCG	DATE: 6-5-09
		FOR: HANSON STANDARD	
		HORIZ. AIR TANK	
		ABS & USCG APPROVED	
		INSIDE: UNPAINTED	
		OUTSIDE: PRIME	
		CAD-"B" UNDER "STD"-SERIES	
		BY: E.S.	SCALE: 1"=12"
		ROY E. HANSON JR. MFG.	
		1600 E. WASHINGTON BLVD. LOS ANGELES, CA 90021	
	M.A.W.P. 300 PSIG. @ 400 °F		
	M.D.M.T. -20 °F @ 300 PSIG.		
	ASME. SECTION VIII DIV. 1, 2007 ADD. 2008		
	X-RAY: RT-NO		
	GALLONS: 80	WT. 353 LBS.	
	SERIAL NO.		
	N.B.		