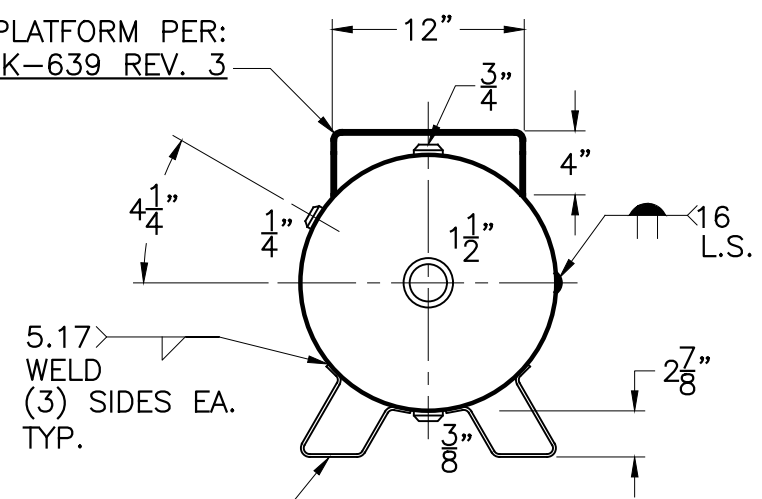
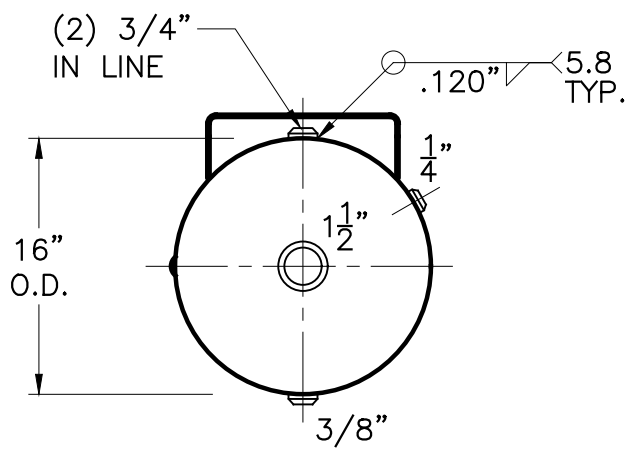


PLATFORM PER:
SK-639 REV. 3



FEET PER
SK-444



VIEW W/O SUPPORTS

NOTE: 1) HYDRO @ 375 PSIG. MIN.
2) CRN #F2752.1

HEADS	.166" SA-414-G 2:1 S.E.
	(.140" MIIN.) JOGGLE
SHELL	.166" SA-414-G
	(.153" MIN.)
M.A.W.P.	250 PSIG. @ 400 °F
M.D.M.T.	-20 °F @ 250 PSIG.
ASME. SECTION VIII DIV. 1, 2004 ADD. 2005	
X-RAY:	RT-NO
GALLONS:	30
WT.	150 LBS.
SERIAL NO.	
N.B.	

HC-30-FP	REV.
ABS	DATE: 3-3-06
FOR: HANSON STANDARD	
HORIZ. AIR TANK	
ABS APPROVAL 12-31-80	
INSIDE: UNPAINTED	
OUTSIDE: PRIME	
BY: J.G.	SCALE: 1"=12"
ROY E. HANSON JR. MFG.	
1924 COMPTON AVE.	
LOS ANGELES, CA 90011	